



US00D739569S

(12) **United States Design Patent**  
**Shum et al.**

(10) **Patent No.:** **US D739,569 S**

(45) **Date of Patent:** **\*\* Sep. 22, 2015**

(54) **LED LAMP**

(71) Applicant: **SORAA, INC.**, Fremont, CA (US)

(72) Inventors: **Frank Shum**, Fremont, CA (US);  
**Ronald Randall Van Thiel**, Fremont,  
CA (US)

(73) Assignee: **Soraa, Inc.**, Fremont, CA (US)

(\*\*) Term: **14 Years**

(21) Appl. No.: **29/475,764**

(22) Filed: **Dec. 6, 2013**

(51) **LOC (10) Cl.** ..... **26-04**

(52) **U.S. Cl.**  
USPC ..... **D26/2**

(58) **Field of Classification Search**  
USPC ..... D26/1-4; 313/313, 315, 316, 317, 318,  
313/493; 315/52, 53, 56, 57, 58  
See application file for complete search history.

(56) **References Cited**

**U.S. PATENT DOCUMENTS**

D532,532 S \* 11/2006 Maxik ..... D26/2  
D544,110 S \* 6/2007 Hooker et al. .... D26/2

D566,300 S \* 4/2008 Lo ..... D26/2  
D581,555 S \* 11/2008 To et al. .... D26/2  
D584,838 S \* 1/2009 To et al. .... D26/2  
D610,722 S \* 2/2010 Bi ..... D26/2  
D677,806 S \* 3/2013 Jiang et al. .... D26/2

\* cited by examiner

*Primary Examiner* — Marcus Jackson

(74) *Attorney, Agent, or Firm* — Saul Ewing LLP

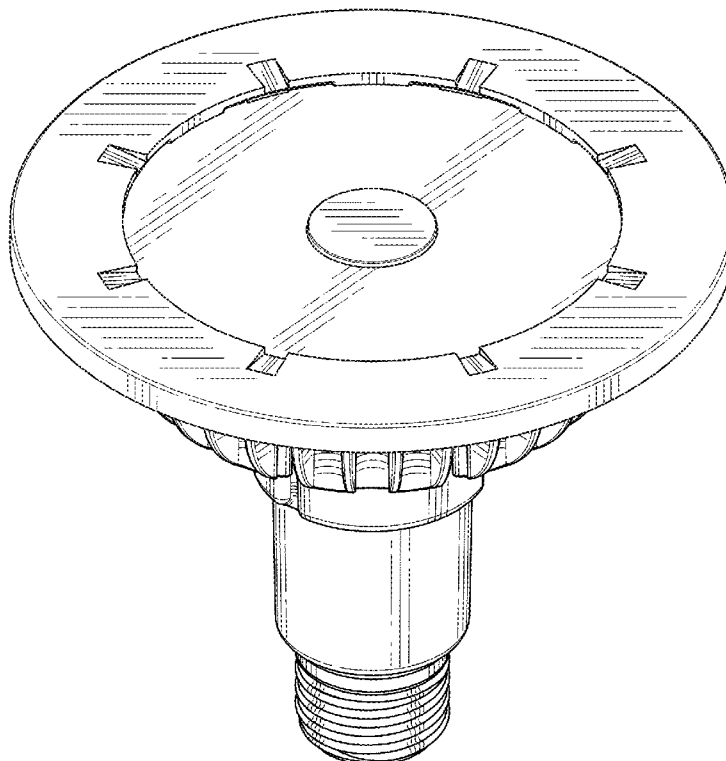
(57) **CLAIM**

The ornamental design for LED lamp, as shown and described.

**DESCRIPTION**

FIG. 1 is a perspective view of an LED lamp showing a first embodiment of our new design; FIG. 2 is a side elevational view from a front side thereof; FIG. 3 is a side elevational view from a rear side thereof; FIG. 4 is a side elevational view from a left side thereof; FIG. 5 is a side elevational view from a right side thereof; FIG. 6 is a top plan view thereof; and, FIG. 7 is a bottom plan view thereof.  
The broken lines in the figures represent unclaimed subject matter and form no part of the claimed design.

**1 Claim, 7 Drawing Sheets**



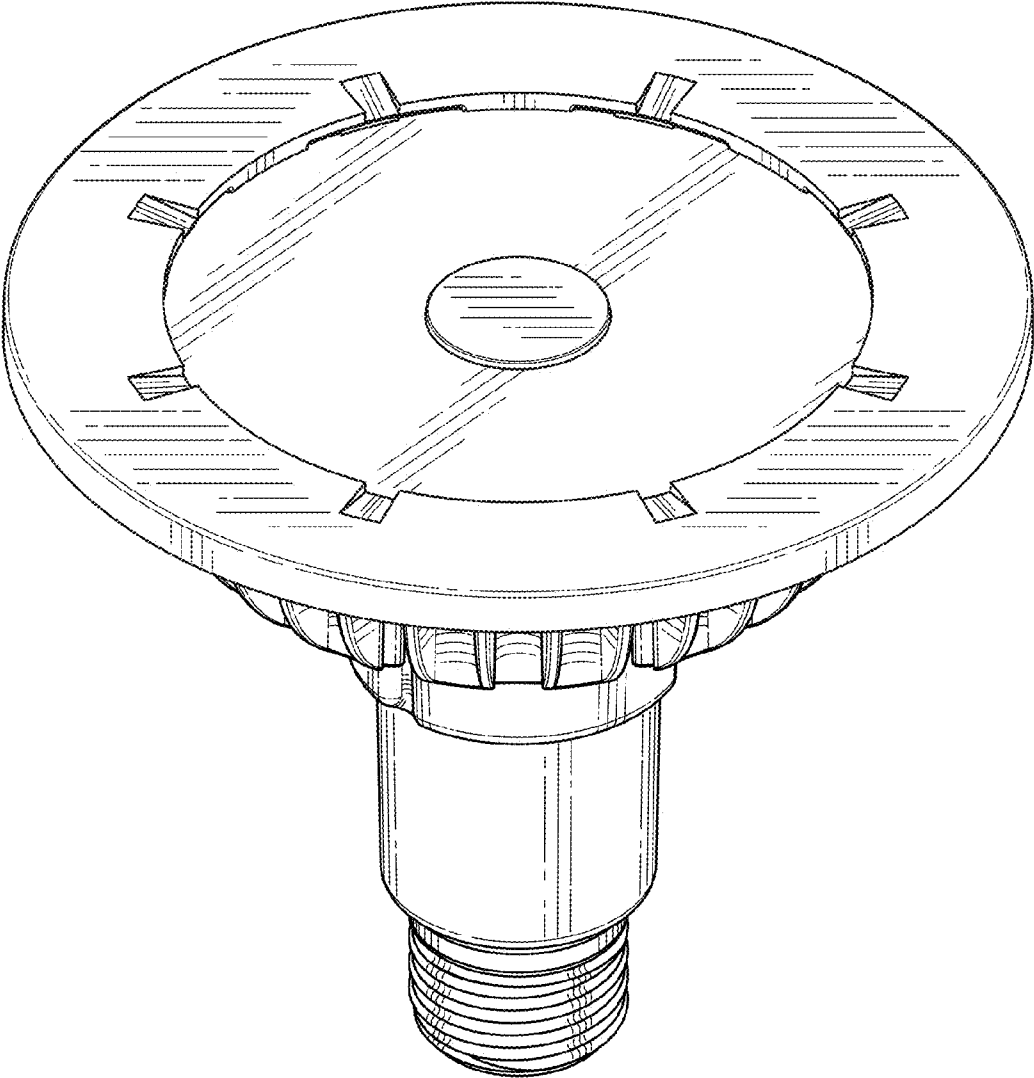


FIG. 1

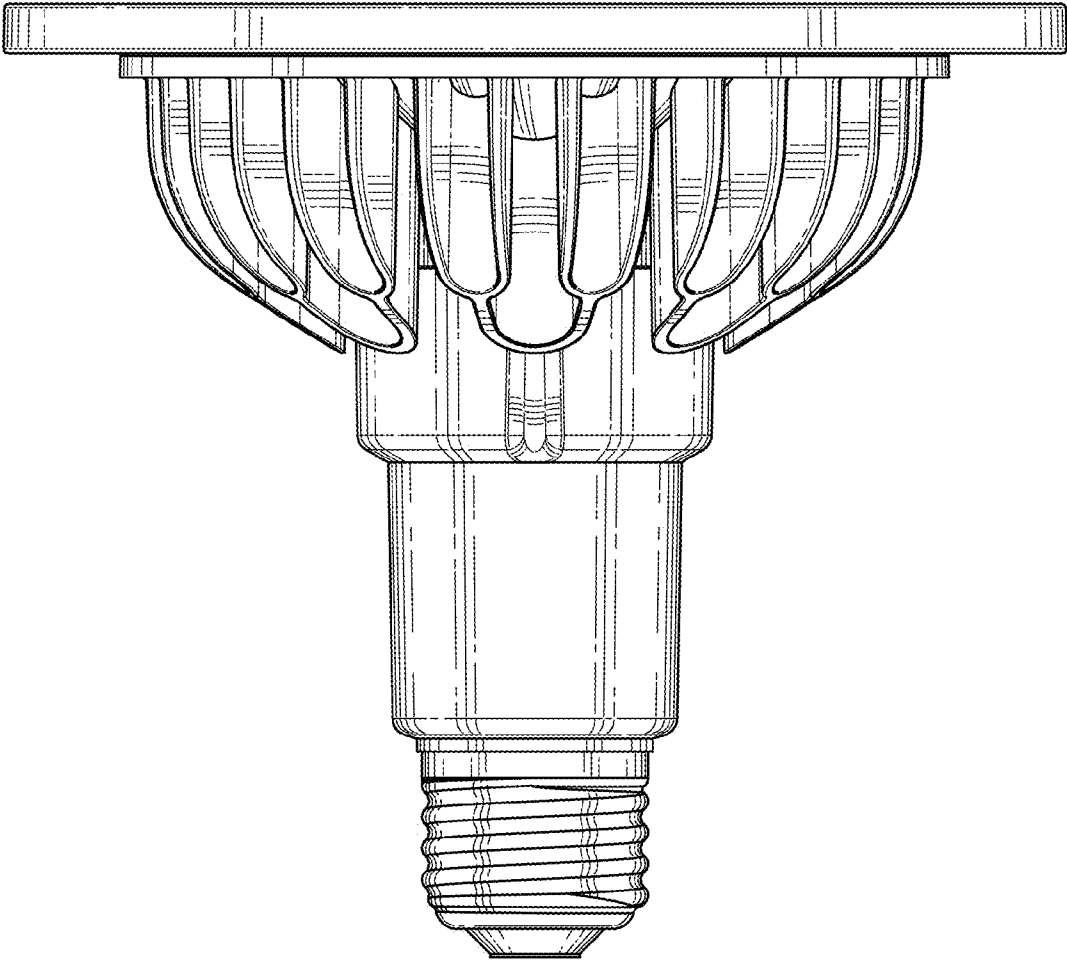


FIG. 2

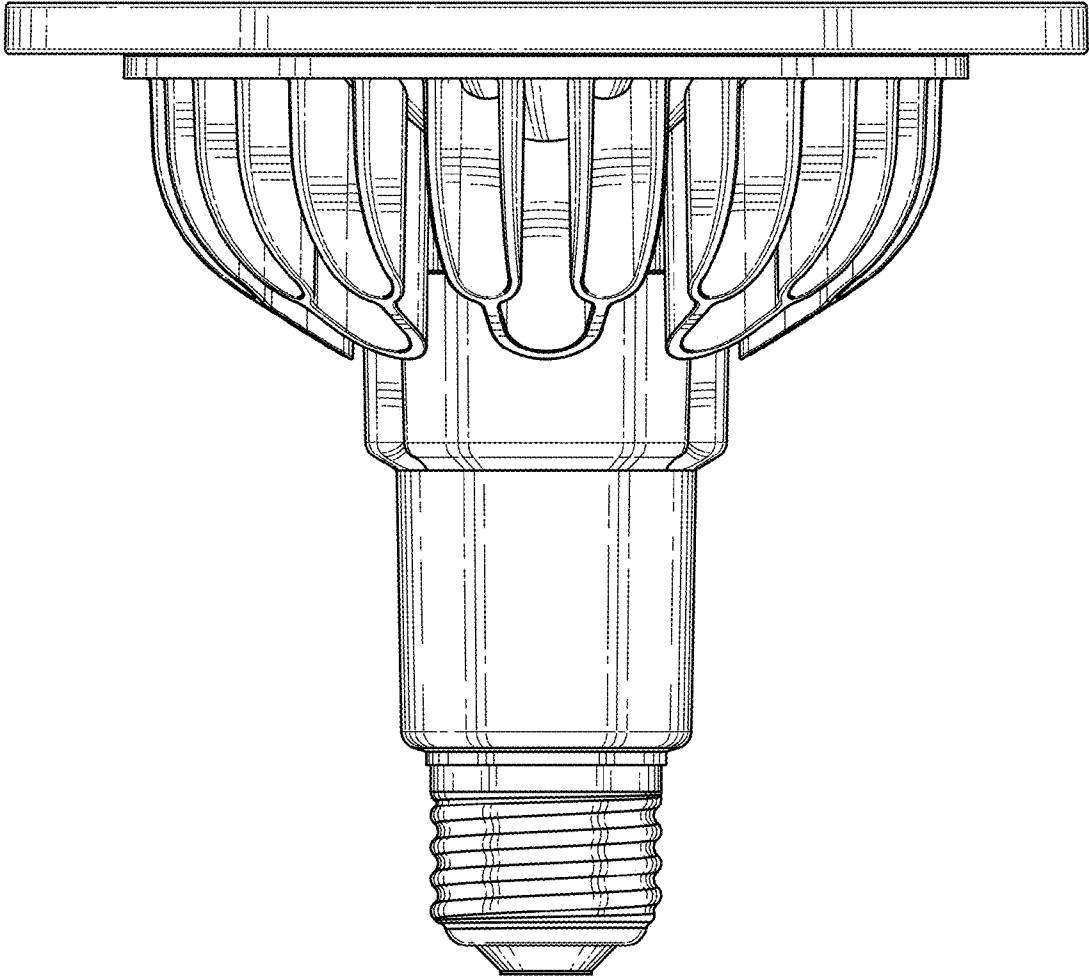


FIG. 3

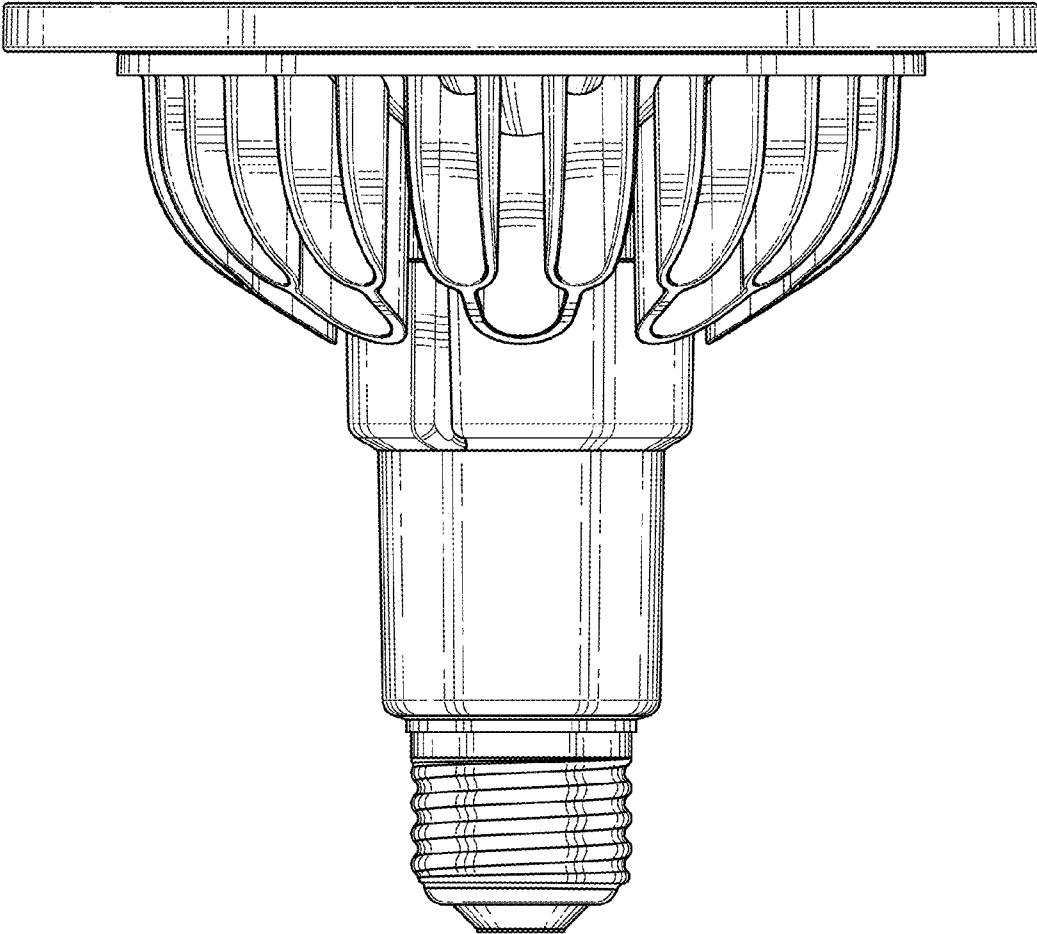


FIG. 4

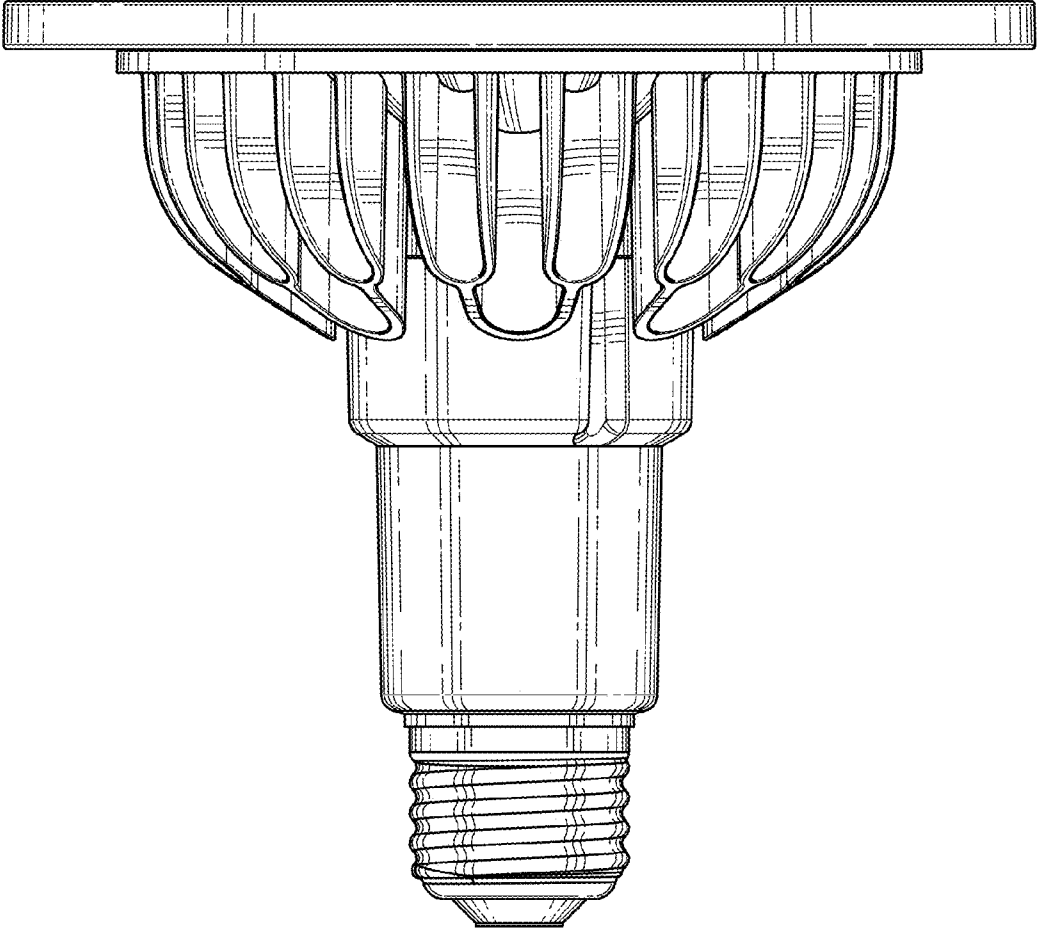


FIG. 5

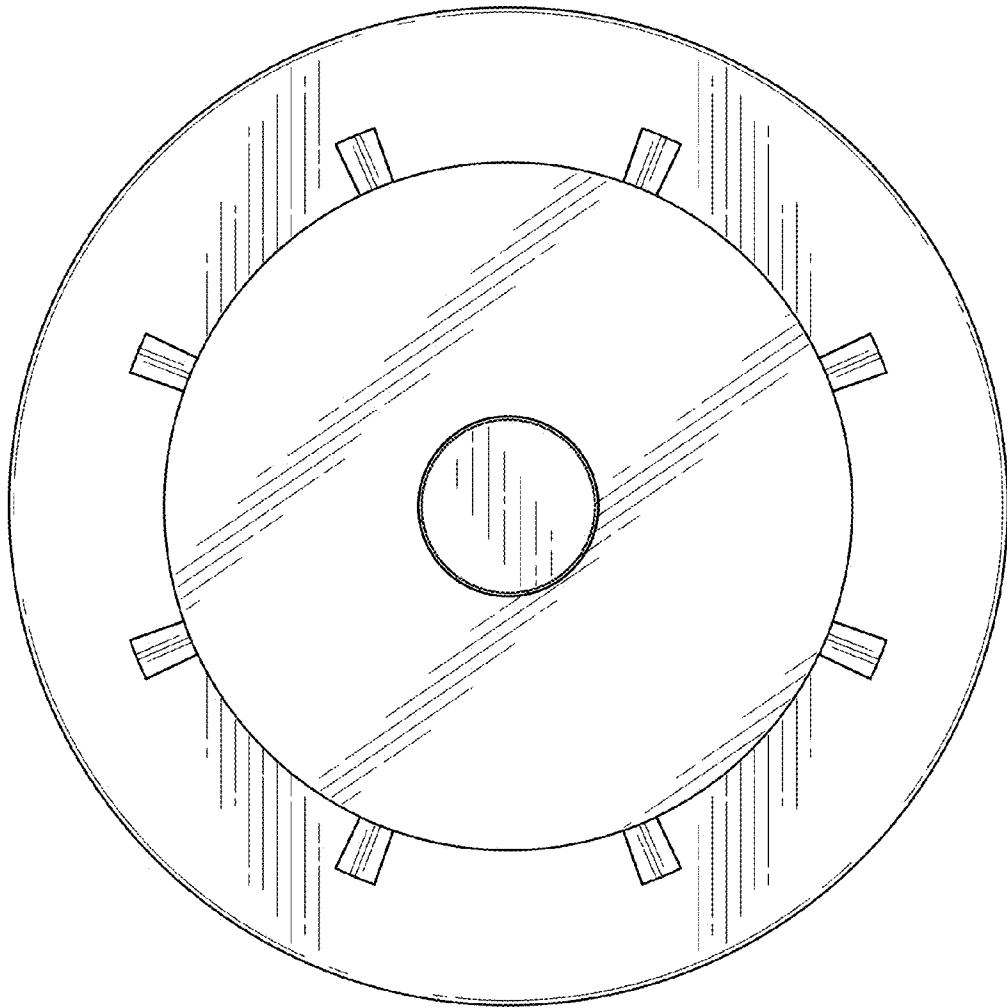


FIG. 6

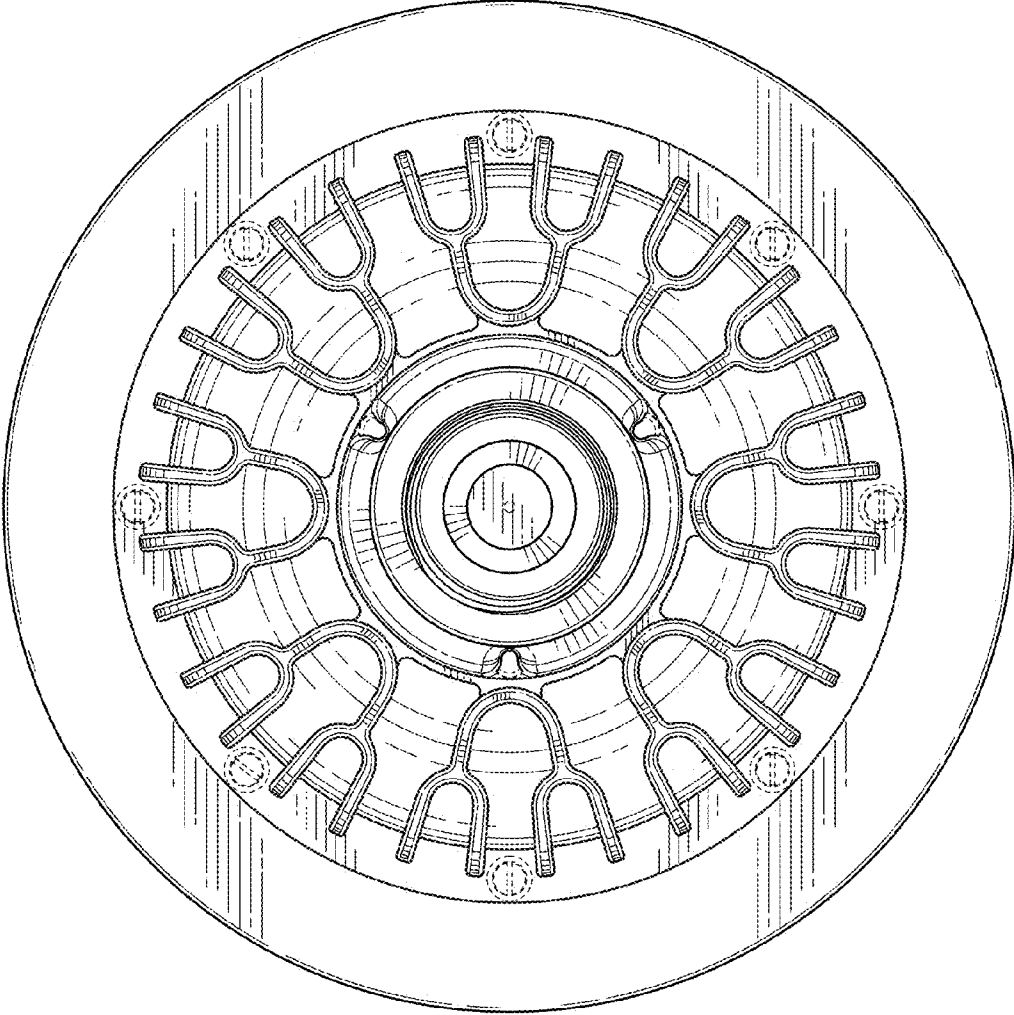


FIG. 7