

(19) World Intellectual Property Organization
International Bureau



(43) International Publication Date
12 May 2011 (12.05.2011)

(10) International Publication Number
WO 2011/056080 A1

- (51) **International Patent Classification:**
A61M 16/00 (2006.01) *A61M 16/16* (2006.01) [NZ/NZ]; 72 Luckens Road, West Harbour, Auckland 0618 (NZ).
- (21) **International Application Number:** PCT/NZ2010/000201
- (22) **International Filing Date:** 8 October 2010 (08.10.2010)
- (25) **Filing Language:** English
- (26) **Publication Language:** English
- (30) **Priority Data:**
61/250,186 9 October 2009 (09.10.2009) US
61/267,270 7 December 2009 (07.12.2009) US
- (71) **Applicant (for all designated States except US): FISHER & PAYKEL HEALTHCARE LIMITED** [NZ/NZ]; 15 Maurice Paykel Place, East Tamaki, Auckland 2013 (NZ).
- (72) **Inventors; and**
- (75) **Inventors/Applicants (for US only): YOUNG, Alex** [NZ/NZ]; 192 Arthur Street, Onehunga, Auckland 1061 (NZ). **BUTLER, Silvan Terence** [NZ/NZ]; 28 Morrin Street, Ellerslie, Auckland 1051 (NZ). **THOMSON, Jonathan McLean** [NZ/NZ]; 3a Warren Avenue, Three Kings, Auckland 1042 (NZ). **SALMON, Andrew Paul Maxwell** [NZ/NZ]; 53 Pencarrow Avenue, Epsom, Auckland 1023 (NZ). **POTHARAJU, Venkata Subbarao** [NZ/NZ]; 14 Dunoon Close, Dannemora, Auckland 2016 (NZ). **CASSE, Benjamin Wilson** [NZ/NZ]; 13a Milliken Avenue, Mt Roskill, Auckland 1042 (NZ). **CHUNG, Tak-Ming** [NZ/NZ]; 9a 11 Esplanade Road, Mt Eden, Auckland 1024 (NZ). **FILIP, Sergiu Constantin**
- (74) **Agents: ADAMS, Matthew, D et al.;** A J Park, 6th Floor Huddart Parker Building, PO Box 949, Wellington 6015 (NZ).
- (81) **Designated States (unless otherwise indicated, for every kind of national protection available):** AE, AG, AL, AM, AO, AT, AU, AZ, BA, BB, BG, BH, BR, BW, BY, BZ, CA, CH, CL, CN, CO, CR, CU, CZ, DE, DK, DM, DO, DZ, EC, EE, EG, ES, FI, GB, GD, GE, GH, GM, GT, HN, HR, HU, ID, IL, IN, IS, JP, KE, KG, KM, KN, KP, KR, KZ, LA, LC, LK, LR, LS, LT, LU, LY, MA, MD, ME, MG, MK, MN, MW, MX, MY, MZ, NA, NG, NI, NO, NZ, OM, PE, PG, PH, PL, PT, RO, RS, RU, SC, SD, SE, SG, SK, SL, SM, ST, SV, SY, TH, TJ, TM, TN, TR, TT, TZ, UA, UG, US, UZ, VC, VN, ZA, ZM, ZW.
- (84) **Designated States (unless otherwise indicated, for every kind of regional protection available):** ARIPO (BW, GH, GM, KE, LR, LS, MW, MZ, NA, SD, SL, SZ, TZ, UG, ZM, ZW), Eurasian (AM, AZ, BY, KG, KZ, MD, RU, TJ, TM), European (AL, AT, BE, BG, CH, CY, CZ, DE, DK, EE, ES, FI, FR, GB, GR, HR, HU, IE, IS, IT, LT, LU, LV, MC, MK, MT, NL, NO, PL, PT, RO, RS, SE, SI, SK, SM, TR), OAPI (BF, BJ, CF, CG, CI, CM, GA, GN, GQ, GW, ML, MR, NE, SN, TD, TG).
- Published:**
— with international search report (Art. 21(3))

(54) **Title:** BREATHING ASSISTANCE APPARATUS

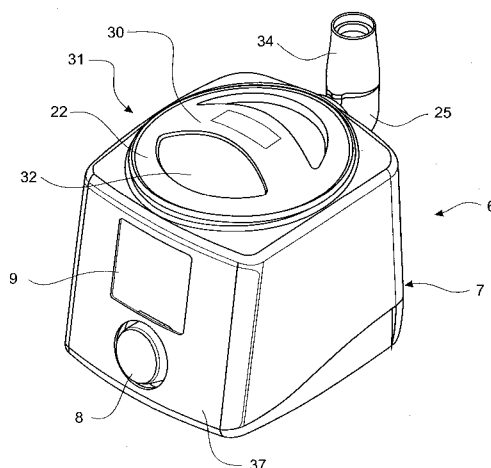


FIGURE 3

(57) **Abstract:** A device for use as part of a breathing assistance system for providing gases to a user. The device may include a fan, an enclosure for receiving a humidification chamber or both. A user interface of the device can indicate the operating mode of the device, whether a peripheral device is connected and whether a gases conduit is correctly connected to the outlet of the device. A controller in the device may hide or block options from the display of the user interface and may also initiate a power save mode when the device is powered by a battery.

WO 2011/056080 A1

BREATHING ASSISTANCE APPARATUS**BACKGROUND OF THE INVENTION**Field of the Invention

5 The present invention generally relates to a gases supply and gases humidification apparatus, particularly but not solely for providing respiratory assistance to patients or users who require a supply of humidified gas at positive pressure for the treatment of diseases such as Obstructive Sleep Apnea (OSA), snoring, or Chronic Obstructive Pulmonary Disease (COPD) and the like. More particularly, the present invention relates to a gases supply
10 apparatus which has an integral humidifier chamber, so as to form a combined assisted breathing unit and humidifier.

Description of the Related Art

 Devices or systems for providing a humidified gases flow to a patient for therapeutic purposes are available. Systems for providing therapy of this type, for example CPAP
15 therapy, have a structure where gases at a required pressure are delivered from an assisted breathing unit or blower unit to a humidifier chamber downstream from the blower. As the gases pass through the humidifier chamber, they become saturated with water vapour. A flexible tubular gases conduit delivers the gases to a user or patient downstream from the humidifier chamber.

20 Humidified gases can be delivered from a modular system that has been assembled from separate units (i.e., a system where the humidifier chamber/heater and the breathing unit/blower are separate items) that are connected in series via conduits. An example of a system of this type is shown in Figure 1. However, it is becoming more common for integrated blower/humidifier systems to be used. Figure 2 shows an integrated
25 blower/humidifier system.

 An integrated system generally consists of a main blower or assisted breathing unit that provides a pressurised gas flow and a humidifier unit that mates with or is otherwise rigidly connected to the main blower unit. The mating occurs, for example, by a slide on or push connection so that the humidifier is held firmly in place on the main blower unit. An
30 example of a system of this type is the Fisher and Paykel Healthcare 'slide-on' water chamber system shown and described in US Patent No. 7,111,624.

 A general advantage of integrated devices is that they are more compact and discrete than a modular breathing circuit that has been assembled from separate units. A compact and discrete unit is particularly advantageous for home-use units, which are used where bedside

space is limited and which may be transported and set up by a user elsewhere (e.g., if staying overnight away from home). The reduced footprint of an integrated unit tends to be less than modular units, which allows placement on a bedside stand or the like.

5 It is becoming more common for these types of devices to include a removable data storage device for storing data relating to, for example, use or compliance. The stored data then can be transported to another location via the removable data device for analysis or the like. Another advantage of removable data storage devices is that they can be used to provide set up parameters to a device, which parameters can be stored on the removable data device. Once the removable data device is connected to the breathing assistance unit, the set-up data
10 can be downloaded into the memory of a controller on the breathing assistance unit. The set up parameters can be general parameters or the set up parameters can be tailored to an individual user. One problem with removably data storage devices is that they easily can be connected improperly or they easily can become at least partly disconnected during use. This improper connection or disconnection can occur in a manner that is not easily apparent to a
15 user at first glance or that is not immediately or easily visually apparent.

Another problem with breathing assistance units of the type described above can occur with a connection between the static or bedside elements (e.g., the connection between the blower unit and the humidifier chamber) and the gases transportation pathway (e.g., a breathing conduit or hose) that connects between the static elements and a user interface.
20 These items generally are formed in such a manner that the hose can be connected and disconnected multiple times for replacement or cleaning, for example.

Also, with some devices, the connection between the gases transportation pathway and the blower/humidifier unit requires an electrical connection to be made as well as a pneumatic connection. The wall or walls of some modern breathing conduits are integrally heated to
25 reduce the likelihood of condensation, which is referred to as rain-out. The heating requires heater wires or heater elements in or on the conduit. The heating elements require power. There may also be sensors in the conduit that require an electrical connection to provide power and to provide a data transmission path. Incorrect connection or reconnection of the hose to the gases source units can cause pneumatic leaks, for example, or, if the system is of
30 the type that has a pneumatic connection and an electrical connection, the necessary electrical contact can be intermittent or non-existent following connection or reconnection.

The use of a breathing assistance apparatus can be irritating to a user for a number of reasons: they can find prolonged wearing an interface uncomfortable or they (or their partner) can be disturbed by the operating noises of the apparatus. Such operating noises can include,

for example, air escaping from an end of the hose or a relatively loud hissing noise made by the interface. There may also be induction noise as air is sucked into the system by the fan and the fan itself can be noisy when running. A major design consideration in domestic breathing assistance systems is minimizing the operating noise of the apparatus.

5 As breathing assistance apparatuses grow more complex and sophisticated, the control options have also increased in order to adjust output to produce the most effective therapy regime. Many efforts have been made to automate the operation of these devices. Accordingly, a great deal of the adjustment occurs automatically and 'behind-the-scenes' from the point of view of a user. However, a clinician or other health professional still will require
10 a certain amount of manual control over an apparatus. For example, the clinician or other health profession will want to make initial set-up adjustments for a user or will want to tweak or adjust treatment parameters during regular check-ups. A clinician or other health professional will be trained in the operation of the machine, and due to this training, their professional background and their familiarity with types of breathing assistance apparatus,
15 they will be comfortable with a greater degree of sophistication in control parameters and control displays. In contrast, the end user does not require this degree of control sophistication, and can easily become confused or overloaded if presented with too many options for adjusting or controlling the output.

Furthermore, some users travel extensively and regularly spend one or more
20 consecutive nights away from home on business or pleasure. When travelling, a user may not have access to a mains power supply. For example, the user may need to sleep in their vehicle. In order to service this sector of the market, there are breathing assistance machines on the market that include an integral power supply or battery. Battery technology recently
25 has developed to the point where batteries are small enough, light enough and powerful enough to be practical for this use. However, in normal operating mode, breathing assistance systems can use a large amount of power over an extended period, such as when running at full power for a full eight-hour sleep period. This sustained demand can easily drain batteries over the course of one or two nights.

Improved breathing assistance apparatuses that assist in overcoming one or more of
30 the abovementioned disadvantages or that at least provide the public or industry with a useful choice are desired.

In this specification where reference has been made to patent specifications, other external documents, or other sources of information, such reference generally is for the purpose of providing a context for discussing certain features of the invention. Unless

specifically stated otherwise, reference to such external documents is not to be construed as an admission that such documents, or such sources of information, in any jurisdiction, are prior art, or form part of the common general knowledge in the art.

BRIEF SUMMARY OF THE INVENTION

5 In some embodiments, the invention may include a blower unit for use as part of a breathing assistance system for providing gases to a user at a positive pressure for therapeutic purposes, comprising:

an outer casing, which encloses and forms part of said blower unit, said outer casing having an inlet vent or inlet port through which gases can enter said casing in use, and an
10 outlet port, said inlet port and said outlet port connected by a gases path within said casing, a fan unit contained within said casing and located in said gases path, said fan unit adapted to receive said gases entering through said inlet vent and provide a pressurised gases stream to said outlet port,

electronic circuitry enclosed within said casing, said electronic circuitry adapted to
15 provide control signals to control the output or outputs of at least said blower unit,

said blower unit further comprising a visual indicator adapted to indicate that the blower unit is in an operating mode.

The blower unit can further comprises a user display adapted to display information relating to the output or outputs of at least said blower, said visual indicator being part of said
20 user display.

Alternatively, said visual indicator can be located on said casing and separate from said user display.

The visual indicator may be an LED.

The electronic circuitry may control the fan unit in multiple modes, including a
25 plurality of operating modes in which the fan unit will supply gases at a positive therapeutic pressure, and at least one mode where the fan unit will not supply gases at a positive therapeutic pressure, and activates the same visual indicator in respect of all of the plurality of operating modes and does not activate the visual indicator in respect of other modes.

In other embodiments, the invention may include a gases modification unit for use as
30 part of a breathing assistance system for providing gases to a user for therapeutic purposes, comprising:

an outer casing having an inlet vent or inlet port through which gases can enter said casing in use, and an outlet port, said inlet port and said outlet port connected by a gases path within said casing,

electronic circuitry enclosed within said casing, said electronic circuitry adapted to provide control signals to control the modification of properties of gases passing along the gases path,

5 said gases modification unit further comprising a connection display which is adapted to indicate to a user that a removable peripheral device is correctly connected to said blower unit in use.

The gases modification unit may further include a fan unit contained within said casing and located in said gases path. The fan unit may be adapted to receive said gases entering through said inlet vent and provide a pressurised gases stream to said outlet port.

10 The casing may have a slot or port on or within said casing and accessible from outside said casing, adapted to allow the connection of a removable memory device to said gases modification unit.

The connection display may be an LED offset from said slot or port.

15 The gases modification unit may further comprise a user display adapted to display information relating to operation of the gases modification unit and the connection display may be incorporated as part of said user display.

In other embodiments, the invention may include a gases modification unit and removable memory device for use as part of a breathing assistance system for providing gases to a user for therapeutic purposes, said unit comprising:

20 an outer casing, having an inlet vent or inlet port through which gases can enter said casing in use, and an outlet port, said inlet port and said outlet port connected by a gases path within said casing,

25 electronic circuitry enclosed within said casing, said electronic circuitry adapted to provide control signals to control the modification of properties of gases passing along the gases path,

the outer casing further comprising a slot or port on or within said casing and accessible from outside said casing, said slot and a removable memory device mutually adapted to allow the connection of said removable memory device to said blower unit in such a manner that when correctly connected, at least part of said removable memory device
30 protrudes from said casing,

said removable memory device further having a visual indicator on the outside surface, said visual indicator aligning with the edge of said slot when said removable memory device is correctly connected to said blower unit.

The visual indicator may be a line or ridge on the removable memory device.

The gases modification unit may include a fan unit contained within said casing and located in said gases path. The fan unit may be adapted to receive said gases entering through said inlet vent and provide a pressurised gases stream to said outlet port.

In other embodiments, the invention may include a gases modification unit for use as part of a breathing assistance system for providing heated humidified gases to a user at a positive pressure for therapeutic purposes, comprising:

an outer casing having an inlet vent or inlet port through which gases can enter said casing in use, and an outlet port adapted for connection to a gases conduit in use so that gases can pass out of said outlet port and into said conduit, said inlet port and said outlet port connected by a gases path within said casing,

electronic circuitry enclosed within said casing, said electronic circuitry adapted to provide control signals to control the modification of properties of gases passing along the gases path,

said gases modification unit further comprising a conduit connection display which is adapted to indicate to a user that said conduit is correctly connected to said outlet port.

The gases modification unit may include a fan unit contained within said casing and located in said gases path. The fan unit may be adapted to receive said gases entering through said inlet vent and provide a pressurised gases stream to said outlet port. The LED may be located on said casing at or close to said outlet port.

The gases modification unit may further comprise a user display adapted to display information relating to operation of the gases modification unit and the conduit connection display may be incorporated as part of said user display.

In other embodiments, the invention may include a gases modification unit for use as part of a breathing assistance system for providing gases to a user at a positive pressure for therapeutic purposes, comprising:

an outer casing having an inlet vent or inlet port through which gases can enter said casing in use, and an outlet port adapted for connection to a gases conduit in use so that gases can pass out of said outlet port and into said conduit, said inlet port and said outlet port connected by a gases path within said casing,

electronic circuitry enclosed within said casing, said electronic circuitry adapted to provide control signals to control modification of properties of the gases passing through the gases path,

a set of user controls adapted to allow a user to adjust operating parameters of the electronic circuitry,

a user display, adapted to display a control menu which has a number of control and display options,

said user controls manipulable to hide or block at least one and preferably a plurality of said control and display options, and once hidden, said user controls manipulable to unhide
5 or unblock said control and display options.

Once said at least one of said control and display options is blocked, said user controls may be manipulable to hide or block further one or ones of said control and display options, and further manipulable to unhide or unblock said hidden one or ones of said control and display options.

10 The electronic circuitry may have a password-protection routine and the user controls require entry of a password before allowing a user to hide and unhide at least some of said control and display options.

The user controls may have a keying mechanism adapted to allow a user to hide and unhide at least some of said control and display options.

15 The gases modification unit may include a fan unit contained within said casing and located in said gases path, said fan unit adapted to receive said gases entering through said inlet vent and provide a pressurised gases stream to said outlet port.

In other embodiments, the invention may include a blower unit for use as part of a breathing assistance system for providing gases to a user at a positive pressure for therapeutic
20 purposes, comprising:

an outer casing, which encloses and forms part of said blower unit, said outer casing having an inlet vent or inlet port through which gases can enter said casing in use, and an outlet port adapted for connection to a gases conduit in use so that gases can pass out of said outlet port and into said conduit, said inlet port and said outlet port connected by a gases path
25 within said casing,

a fan unit contained within said casing and located in said gases path, said fan unit adapted to receive said gases entering through said inlet vent and provide a pressurised gases stream to said outlet port,

30 electronic circuitry enclosed within said casing, said electronic circuitry adapted to provide control signals to control the output or outputs of at least said blower unit,

an internal power source contained within said casing and adapted to provide power to at least said fan unit and said electronic circuitry,

said blower unit further adapted to connect to a mains supply to receive power for at least said fan unit and said electronic circuitry,

in use, said blower unit drawing power from said mains supply by default if connected to said mains supply, and otherwise drawing power from said internal power source,

the electronic circuitry including a power saving mode for operating the blower where work is done at a maximum power rate below the rate at which said blower unit draws power when connected to said mains supply.

The electronic circuitry may automatically switches to said power-saving mode when said blower unit is drawing power from said internal power source.

Alternatively, the blower unit may further comprise user controls adapted to allow a user to switch said electronic circuitry between a normal operating mode where full power is available, and said power-saving mode.

In some embodiments, when in said power saving mode, said maximum power rate is between 50W and 100W, or approximately 75W.

In other embodiments, the invention may include a blower unit for use as part of a breathing assistance system for providing gases to a user at a positive pressure for therapeutic purposes, comprising:

an outer casing, which encloses and forms part of said blower unit, said outer casing having an inlet vent or inlet port through which gases can enter said casing in use, and an outlet port adapted for connection to a gases conduit in use so that gases can pass out of said outlet port and into said conduit, said inlet port and said outlet port connected by a gases path within said casing,

a fan unit contained within said casing and located in said gases path, said fan unit adapted to receive said gases entering through said inlet vent and provide a pressurised gases stream to said outlet port,

electronic circuitry enclosed within said casing, said electronic circuitry adapted to provide control signals to control the output or outputs of at least said blower unit,

said blower unit further adapted to connect to an external power supply to receive power for at least said fan unit and said electronic circuitry, operate in a standard mode when connected to an AC mains power source,

said electronic circuitry having a power saving mode where work is done at a maximum power rate below the rate at which said blower unit draws power when operating in said standard mode, said electronic circuitry adapted to detect when said blower unit is connected to a synthesised mains AC power supply.

The electronic circuitry may be adapted to detect the frequency of said synthesised mains AC power supply, said electronic circuitry automatically switching to said power-saving mode when said frequency is above 50Hz.

Alternatively, or as well, said electronic circuitry may be adapted to detect the
5 frequency of said synthesised mains AC power supply, said electronic circuitry automatically switching said to said power-saving mode when said frequency is above 60Hz.

Alternatively, or as well, said electronic circuitry may be adapted to detect a secondary signal superimposed over the power supply signal, and to automatically switch to said power-saving mode on receipt of said secondary signal.

Alternatively, or as well, the blower unit may include a remote transmission detector
10 connected to said electronic circuitry, said detector adapted to receive a transmitted signal and pass said signal to said electronic circuitry, said electronic circuitry switching to said power-saving mode in response to receiving a signal indicating that said blower unit is connected to a synthesised power supply.

In some embodiments, the blower unit may include user controls adapted to allow a
15 user to manually switch said blower unit between said standard operating mode, and said power-saving mode.

In some embodiments, the power saving mode, said maximum power rate is between
50W and 100W, or about 75W.

In other embodiments, the invention may include a blower unit for use as part of a
20 breathing assistance system for providing gases to a user at a positive pressure for therapeutic purposes, comprising:

an outer casing, which encloses and forms part of said blower unit, said outer casing
having an inlet vent or inlet port through which gases can enter said casing in use, and an
25 outlet port adapted for connection to a gases conduit in use so that gases can pass out of said outlet port and into said conduit, said inlet port and said outlet port connected by a gases path within said casing,

a fan unit contained within said casing and located in said gases path, said fan unit
adapted to receive said gases entering through said inlet vent and provide a pressurised gases
30 stream to said outlet port,

electronic circuitry enclosed within said casing, said electronic circuitry adapted to
provide control signals to control the output or outputs of at least said blower unit,

an internal power source contained within said casing and adapted to provide power to
at least said fan unit and said electronic circuitry,

said blower unit further adapted to connect to a mains supply to receive power for at least said fan unit and said electronic circuitry,

in use, said blower unit drawing power from said mains supply by default if connected to said mains supply, and otherwise drawing power from said internal power source,

5 said electronic circuitry having a power saving mode where work is done at a maximum power rate below the rate at which said blower unit draws power when connected to said mains supply,

said blower unit further comprising user controls adapted to allow a user to switch said electronic circuitry between a normal operating mode where full power is available, and said
10 power-saving mode.

The electronic circuitry may automatically switch to said power-saving mode when said blower is drawing power from said internal power source, said user controls further adapted to allow a user to switch said blower unit from said power saving mode to said normal operating mode manually when said blower unit is drawing power from said internal
15 power source.

In some embodiments, when said blower is in said power saving mode, said maximum power rate is between 50W and 100W, or about 75W

In other embodiments, the invention may include a gases modification unit for providing heated humidified gases to a user, said system using a humidifier chamber of the type which in use contains a volume of water and which has a humidifier gases inlet and a
20 separate humidifier gases outlet, said unit comprising:

an outer casing, which encloses and forms part of said unit, said outer casing having an inlet vent or inlet port through which gases can enter said casing in use,

a patient outlet mounted on said casing and adapted for connection to a gases conduit
25 in use so that gases can pass out of said patient outlet and into said conduit,

an enclosure adapted to in use receive said humidifier chamber, said enclosure having an inlet port adapted to in use align with said humidifier gases inlet,

an outlet gases passage, in use said outlet gases passage running between and gaseously connecting said humidifier gases outlet and said patient outlet so that heated
30 humidified gases exiting said humidifier chamber pass into said patient outlet,

said outlet gases passage formed as a separate item to said casing and said enclosure, at least part of said outlet gases passage accessible from within said enclosure and adapted to allow a user to remove and replace said outlet gases passage easily.

The outlet gases passage may have the overall form of a funnel, an inner portion of said outlet gases passage forming a mouth of said funnel, an outer portion of said outlet gases passage forming a stem of said funnel. The mouth of the funnel may be substantially rectangular.

5 The mouth of the funnel may be surrounded by a flange. At least a portion of said stem of the funnel may be wider than a remainder of the stem. The wider portion may be formed at the outer rim of said stem, said rim having a barbed appearance in cross-section.

The gases modification unit may include a fan unit contained within said casing, said fan unit adapted to receive said gases entering through said inlet vent and provide a
10 pressurised gases stream to said enclosure inlet port.

The gases modification unit may include a heater located in said enclosure, in use said heater contacting the humidifier chamber to heat said volume of water.

In other embodiments, the invention may include a gases modification unit for providing heated humidified gases to a user, said system using a humidifier chamber of the
15 type which in use contains a volume of water and which has a humidifier gases inlet and a separate humidifier gases outlet, said blower unit comprising:

an outer casing, which encloses and forms part of said blower unit, said outer casing having an inlet vent or inlet port through which gases can enter said casing in use,

a patient outlet mounted on said casing and adapted for connection to a gases conduit
20 in use so that gases can pass through and out of said patient outlet and into said conduit,

an enclosure adapted to in use receive said humidifier chamber, said enclosure having an inlet port adapted to in use align with said humidifier gases inlet,

an outlet gases passage, in use said outlet gases passage running between and gaseously connecting said humidifier gases outlet and said patient outlet so that heated
25 humidified gases exiting said humidifier chamber pass into said patient outlet,

said patient outlet removably mounted on said casing.

The patient outlet may be an elbow connector.

In some embodiments, the patient outlet may be a substantially right-angled elbow connector.

30 Alternatively, or as well, the patient outlet may be a gases passage having an inner end and an outer end, said inner end adapted to connect to said casing and receive a stream of heated, humidified gases from said integrated blower/humidification system, said outer end adapted to in use connect to a gases conduit,

said patient outlet may also have an insulating wall formed around and spaced from at least said inner end so that an airgap is formed between said inner end of said gases passage and said insulating wall.

5 The patient outlet may also have a recess formed on the inner side of the bend of the elbow.

The gases modification unit may include a fan unit contained within said casing, said fan unit adapted to receive said gases entering through said inlet vent and provide a pressurised gases stream to said enclosure inlet port.

10 The gases modification unit may include a heater located in said compartment, in use said heater contacting said humidification chamber to heat said volume of water.

In other embodiments, the invention may include a patient connector for use as part of a gases modification unit for providing heated humidified gases to a user, said blower unit of the type that has an outer casing, said patient connector comprising:

15 a gases passage having an inner end and an outer end, said inner end adapted to connect to said casing and receive a stream of heated, humidified gases from said gases modification unit, said outer end adapted to in use connect to a gases conduit,

an insulating wall, formed around and spaced from at least said inner end so that an insulating space is formed between said inner end of said gases passage and said insulating wall.

20 The patient outlet may be an elbow connector. In some embodiment, the patient outlet may be a substantially right-angled elbow connector.

The patient outlet may also have a recess formed on the inner side of the bend of the elbow.

25 In other embodiments, the invention may include a humidifier unit for use with a system for providing humidified gases to a user, comprising:

a humidifier chamber adapted to contain a volume of water, said humidifier chamber further having a gases inlet port and a gases outlet port,

30 an elongate inlet passage extending into said humidifier chamber from said gases inlet port, said inlet passage having at least one primary gases inlet aperture, at or towards that end of said inlet passage furthest from said gases inlet, to allow gases to pass out of said inlet passage and into said humidifier chamber,

an elongate exit passage extending into said humidifier chamber from said gases outlet port, said passage having at least one and preferably two primary gases exit apertures, at or

towards that end of said exit passage furthest from said gases outlet, to allow gases to pass out of said humidifier chamber and into said exit passage,

said primary gases inlet aperture formed in the side of said inlet passage.

5 The primary gases exit aperture or apertures may be formed in the side or sides of said exit passage.

The elongate inlet passage may have an inlet recess formed in the lower part of said inlet passage, and at least one and preferably a plurality of secondary inlet apertures formed in said recess to allow gases to pass out of said inlet passage and into said humidifier chamber.

10 The elongate exit passage may have an exit recess formed in the lower part of said inlet passage, and at least one and preferably a plurality of secondary exit apertures formed in said recess to allow gases to pass out of said humidifier chamber and into said exit passage.

In some embodiment, the exit passage and said entry passage may be aligned at an angle to one another.

15 The primary gases inlet aperture may be formed in that side of said inlet passage which is furthest from said exit passage.

The chamber may have at least one and preferably a plurality of buttress ribs spanning between the wall of said humidifier chamber and a position at or close to the inner end of at least one of said exit passage or said entry passage. The buttress rib or ribs may be located at or towards the top of said chamber.

20 In some embodiments, the chamber may appear substantially circular in plan view.

In some embodiments, the exit passage, the entry passage and said buttress ribs may be arranged radially and connect at the centre of said chamber, the inner ends of said exit passage and said entry passage blocked by a dividing wall.

25 The chamber may have a baffle which extends downwards between said entry passage and said exit passage.

The humidifier chamber may be open-topped, and said humidifier unit also have a separate lid unit, adapted to close and seal said open top of said humidifier chamber in use.

30 The lid unit may comprise a separate lid portion and a handle portion, said handle portion releasably connecting to said lid portion in such a manner that said handle can freely rotate while connected to said lid portion, said lid portion adapted to seal on said open top of said humidifier chamber.

In some embodiments, the inlet passage and said exit passage are structurally connected but fluidically disconnected.

In other embodiments, the invention may include a humidifier unit for use with a system for providing humidified gases to a user, comprising:

a humidifier chamber adapted to contain a volume of water, said humidifier chamber further having a gases inlet port and a gases outlet port,

5 an elongate inlet passage extending into said humidifier chamber from said gases inlet port, said inlet passage having at least one primary gases inlet aperture, at or towards that end of said inlet passage furthest from said gases inlet, to allow gases to pass out of said inlet passage and into said humidifier chamber,

10 an elongate exit passage extending into said humidifier chamber from said gases outlet port, said passage having at least one and preferably two primary gases exit apertures, at or towards that end of said exit passage furthest from said gases outlet, to allow gases to pass out of said humidifier chamber and into said exit passage,

at least one of said primary gases exit apertures formed in the side of said exit passage.

The primary gases inlet aperture may be formed in the side of said inlet passage.

15 The elongate inlet passage may have an inlet recess formed in the lower part of said inlet passage, and at least one and preferably a plurality of secondary inlet apertures formed in said recess to allow gases to pass out of said inlet passage and into said humidifier chamber.

The elongate exit passage may have an exit recess formed in the lower part of said exit passage, and at least one and preferably a plurality of secondary exit apertures formed in said exit recess to allow gases to pass out of said humidifier chamber and into said exit passage.

In some embodiments, the exit passage and said entry passage may be aligned at an angle to one another.

The primary gases inlet aperture may be formed in that side of said inlet passage which is furthest from said exit passage.

25 The chamber may have also has at least one and preferably a plurality of buttress ribs spanning between the wall of said humidifier chamber and a position at or close to the inner end of at least one of said exit passage or said entry passage. The buttress rib or ribs may be located at or towards the top of said chamber.

In some embodiments, the chamber may appear substantially circular in plan view.

30 In some embodiments, the exit passage, said entry passage and said buttress ribs may be arranged radially and connect at the centre of said chamber, the inner ends of said exit passage and said entry passage blocked by a dividing wall.

The chamber may have a baffle which extends downwards between said entry passage and said exit passage.

The humidifier chamber may be open-topped, and said humidifier unit may have a separate lid unit, adapted to close and seal said open top of said humidifier chamber in use.

The lid unit may comprise a separate lid portion and a handle portion, said handle portion releasably connecting to said lid portion in such a manner that said handle can freely rotate while connected to said lid portion, said lid portion adapted to seal on said open top of said humidifier chamber.

The inlet passage and the exit passage may be structurally connected but fluidically disconnected.

In other embodiments, the invention may include a humidifier unit for use with a system for providing humidified gases to a user, comprising:

a humidifier chamber adapted to contain a volume of water, said humidifier chamber further having a gases inlet port and a gases outlet port,
an inlet passage extending into said humidifier chamber from said gases inlet port,
an exit passage extending into said humidifier chamber from said gases outlet port,
at least one of said passages having a recess formed in the lower part of said passage or passages, at least one and preferably a plurality of apertures formed in said recess to allow gases to pass between said passage and said chamber.

The inlet passage may be an elongate passage extending into said humidifier chamber from said gases inlet port. The recess may be formed in said inlet passage. The at least one and preferably a plurality of apertures may be secondary gases inlet apertures. The inlet passage may also have at least one primary gases inlet aperture, at or towards that end of said inlet passage furthest from said gases inlet, to allow gases to pass out of said inlet passage and into said humidifier chamber.

The exit passage may be an elongate exit passage extending into said humidifier chamber from said gases outlet port. The exit passage may have at least one and preferably two primary gases exit apertures, at or towards that end of said exit passage furthest from said gases outlet, to allow gases to pass out of the humidifier chamber and into said exit passage.

The exit passage may be an elongate passage extending into said humidifier chamber from said gases exit port. An exit recess may be formed in said exit passage, with said at least one and preferably a plurality of apertures being secondary gases exit apertures. The exit passage may also have at least one primary gases exit aperture, at or towards that end of said exit passage furthest from said gases exit port, to allow gases to pass out of said humidifier chamber and into said exit passage.

The inlet passage may be an elongate passage extending into said humidifier chamber from said gases inlet port. The passage may have at least one gases inlet aperture, at or towards that end of said inlet passage furthest from said gases inlet port, to allow gases to pass into said humidifier chamber from said inlet passage.

5 The primary gases inlet aperture may be formed in the side of said inlet passage.

The primary gases exit aperture or apertures may be formed in the side or sides of said exit passage.

10 The elongate exit passage may also have an exit recess formed in the lower part of said exit passage. At least one and preferably a plurality of secondary exit apertures may be formed in said exit recess to allow gases to pass out of said humidifier chamber and into said exit passage.

The exit passage and the entry passage may be aligned at an angle to one another.

The primary gases inlet aperture may be formed in that side of said inlet passage which is furthest from said exit passage.

15 The chamber may also have at least one and preferably a plurality of buttress ribs spanning between the wall of said humidifier chamber and a position at or close to the inner end of at least one of said exit passage or said entry passage. The buttress rib or ribs may be located at or towards the top of said chamber.

In some embodiments, the chamber may be substantially circular in plan view.

20 The exit passage, said entry passage and said buttress ribs may be arranged radially and connect at the centre of said chamber, with the inner ends of said exit passage and said entry passage blocked by a dividing wall.

The chamber may have a baffle which extends downwards between said entry passage and said exit passage.

25 The humidifier chamber may be open-topped, and the humidifier unit may have a separate lid unit, adapted to close and seal said open top of said humidifier chamber in use. The lid unit may comprise a separate lid portion and a handle portion, said handle portion releasably connecting to said lid portion in such a manner that said handle can freely rotate while connected to said lid portion, said lid portion adapted to seal on said open top of said
30 humidifier chamber.

In other embodiments, the invention may include a humidifier unit for use with a system for providing humidified gases to a user, comprising:

a humidifier chamber adapted to contain a volume of water, said humidifier chamber further having a gases inlet port and a gases outlet port,

an elongate inlet passage extending into said humidifier chamber from said gases inlet port, said inlet passage having at least one gases inlet aperture, at or towards that end of said inlet passage furthest from said gases inlet, to allow gases to pass out of said inlet passage and into said humidifier chamber,

5 an elongate exit passage extending into said humidifier chamber from said gases outlet port, said passage having at least one gases exit apertures, at or towards that end of said exit passage furthest from said gases outlet, to allow gases to pass out of said humidifier chamber and into said exit passage,

10 said chamber also has at least one and preferably a plurality of buttress ribs spanning between the wall of said humidifier chamber and a position at or close to the inner end of at least one of said exit passage or said entry passage.

The buttress rib or ribs may be located at or towards the top of said chamber.

15 In some embodiments, at least one of said passages may have a recess formed in the lower part of said passage or passages, with at least one and preferably a plurality of apertures formed in said recess or recesses to allow gases to pass between said passage and said chamber.

20 The inlet passage may be an elongate passage extending into said humidifier chamber from said gases inlet port, with said recess formed in said inlet passage. The at least one aperture may be secondary gases inlet apertures. The inlet passage may also have at least one primary gases inlet aperture, at or towards that end of said inlet passage furthest from said gases inlet, to allow gases to pass out of said inlet passage and into said humidifier chamber.

25 The exit passage may be an elongate exit passage extending into said humidifier chamber from said gases outlet port, said passage having at least one and preferably two primary gases exit apertures, at or towards that end of said exit passage furthest from said gases outlet, to allow gases to pass out of said humidifier chamber and into said exit passage. An exit recess may be formed in said exit passage, at least one and preferably a plurality of secondary gases exit apertures formed in said recess, to allow gases to pass out of said humidifier chamber and into said exit passage.

30 In some embodiments, said primary gases inlet aperture may be formed in the side of said inlet passage.

The primary gases exit aperture or apertures may be formed in the side or sides of said exit passage.

The exit passage and said entry passage may be aligned at an angle to one another. The primary gases inlet aperture may be formed in that side of said inlet passage which is furthest from said exit passage.

In some embodiments, the chamber may appear substantially circular in plan view.

5 In some embodiments, the chamber further may have a baffle which extends downwards between said entry passage and said exit passage.

In some embodiments, the humidifier chamber may be open-topped, and said humidifier unit may have a separate lid unit, adapted to close and seal said open top of said humidifier chamber in use. The lid unit may comprise a separate lid portion and a handle portion, said handle portion releasably connecting to said lid portion in such a manner that said handle can freely rotate while connected to said lid portion, said lid portion adapted to seal on said open top of said humidifier chamber.

In other embodiments, the invention may include a humidifier unit for use with a system for providing humidified gases to a user, comprising:

15 a humidifier chamber adapted to contain a volume of water,
an inlet passage having a gases inlet port adapted to receive gases from a gases source in use, and at least one gases inlet aperture adapted to allow gases to pass out of said inlet passage and into said humidifier chamber,

20 an exit passage having a gases outlet port adapted to allow said heated humidified gases to exit said chamber, and at least one gases exit aperture adapted to allow gases to pass out of said humidifier chamber and into said exit passage,

in plan view, said gases inlet aperture and said gases exit aperture located at or close to the centre of said chamber, and said gases outlet port and said gases inlet port are located inside the perimeter of said chamber.

25 The gases outlet port and said gases inlet port may be located at or close to the centre of said chamber. The gases outlet port may be located between said perimeter and said gases exit aperture, and said gases inlet port may be located between said perimeter and said at least one gases inlet aperture.

30 In some embodiments, the humidifier unit also has at least one and preferably a plurality of buttress ribs spanning between the wall of said humidifier chamber and said inlet passage and said exit passage, said inlet passage and said exit passage unconnected to said chamber except via said ribs. The buttress rib or ribs and said passages are located at or towards the top of said chamber. The chamber may appear substantially circular in plan view, said passages extending radially towards the perimeter of said chamber, said passages

structurally connected at the centre of said chamber but gaseously or fluidically unconnected. The buttress rib or ribs may extend radially from said passages to the perimeter of said chamber. The gases outlet port is aligned substantially horizontally. Alternatively, gases outlet port may be aligned facing upwards substantially vertically.

5 In some embodiments, the gases inlet port may be aligned substantially horizontally. Alternatively, the gases inlet port may be aligned facing upwards substantially vertically.

In some embodiments, the inlet passage may be an elongate passage having at least one primary gases inlet aperture, at or towards that end of said inlet passage furthest from said
10 gases inlet, formed in the side of said inlet passage, to allow gases to pass out of said inlet passage and into said humidifier chamber.

In some embodiment, the exit passage may be an elongate exit passage having at least one and preferably two primary gases exit apertures, at or towards that end of said exit passage furthest from said gases outlet, formed in the side or sides of said exit passage to
15 allow gases to pass out of said humidifier chamber and into said exit passage.

In some embodiments, at least one of said passages may have a recess formed in the lower part of said passage or passages, at least one and preferably a plurality of secondary apertures formed in said recess or recesses to allow gases to pass between said passage and
said chamber.

20 In some embodiments, said exit passage and said entry passage may be aligned at an angle to one another. The primary gases inlet aperture may be formed in that side of said inlet passage which is furthest from said exit passage.

In some embodiments, said chamber may have a baffle which extends downwards between said entry passage and said exit passage.

25 In some embodiments, said humidifier chamber may be open-topped, and said humidifier unit may have a separate lid unit, adapted to close and seal said open top of said humidifier chamber in use. The lid unit may comprise a separate lid portion and a handle portion, said handle portion releasably connecting to said lid portion in such a manner that said handle can freely rotate while connected to said lid portion, said lid portion adapted to
30 seal on said open top of said humidifier chamber.

In other embodiments, the invention may include a gases modification unit for use as part of a breathing assistance system for providing gases to a user at a positive pressure for therapeutic purposes, comprising:

an outer casing having an inlet vent or inlet port through which gases can enter said casing in use, and an outlet port adapted for connection to a gases conduit in use so that gases can pass out of said outlet port and into said conduit, said inlet port and said outlet port connected by a gases path within said casing,

5 electronic circuitry enclosed within said casing, said electronic circuitry adapted to provide control signals to control modification of properties of the gases passing through the gases path,

 a set of user controls adapted to allow a user to adjust operating parameters of the electronic circuitry,

10 a user display, adapted to display a control menu which has a number of control and display options,

 said electronic circuitry adapted to selectively not respond to manipulations of the user controls.

 The electronic circuitry may stop responding to manipulations of the user controls
15 after a predetermined period of time without manipulation of the controls.

 Alternatively, the electronic circuitry will stop responding to manipulations of the user controls after a predetermined period of time without manipulation of the controls, when in one or more predetermined operating modes.

 Alternatively, or additionally, the electronic circuitry will stop responding to
20 manipulations of the user controls after a predetermined period of time without manipulation of the controls, but will still respond when in one or more predetermined operating modes.

 In some embodiments, the gases modification unit may include a fan unit contained within said casing and located in said gases path, said fan unit adapted to receive said gases entering through said inlet vent and provide a pressurised gases stream to said outlet port.

25 The term “comprising” as used in this specification means “consisting at least in part of,” that is to say when interpreting statements in this specification which include that term, the features, prefaced by that term in each statement, all need to be present but other features can also be present.

 This invention may also be said broadly to consist in the parts, elements and features
30 referred to or indicated in the specification of the application, individually or collectively, and any or all combinations of any two or more of said parts, elements or features, and where specific integers are mentioned herein which have known equivalents in the art to which this invention relates, such known equivalents are deemed to be incorporated herein as if individually set forth.

BRIEF DESCRIPTION OF THE DRAWINGS

These and other features, aspects and advantages of an improved breathing assistance apparatus will now be described with reference to the drawings of a preferred embodiment, which embodiment is intended to illustrate and not to limit the invention, and in which
5 figures:

Figure 1 shows a schematic view of a user receiving humidified air from a modular breathing assistance apparatus.

Figure 2 shows a schematic view of a user receiving humidified air from an integrated breathing assistance apparatus.

10 **Figure 3** shows an embodiment of a blower and humidifier of a breathing assistance apparatus that is arranged and configured in accordance with certain features, aspects and advantages of the present invention. The illustrated apparatus is of the integrated blower/humidifier type and includes a blower unit that has a central enclosure that receives a humidifier. The blower unit also has a front face with a user display panel and user controls.

15 **Figure 4** shows a different view of breathing assistance apparatus of Figure 3 with detail of a slot that receives a removable memory device shown and the removable memory device suitable for use with the integrated blower/humidifier system also shown.

Figures 5a - 5e show examples of displays that can be shown on the user display panel of the blower unit with Figure 5e showing the maximum amount of information that can be displayed on the illustrated user display and Figures 5a-d showing displays having
20 different combinations of the information blocked so that it is not viewed by a user.

Figure 6 shows a rear view of the blower unit with the humidifier removed to show a removable seal that forms a passage to a patient outlet or elbow, which passage extends through a rear wall and an outer casing of the blower unit.

25 **Figure 7** shows the same view as Figure 6 with the outer casing removed.

Figure 8 shows an exploded view of the portion of the blower unit that forms the enclosure with the removable seal, the patient outlet and a sealing/connection ring that fits on and around part of the patient outlet shown.

30 **Figure 9** shows a cutaway view of the rear of the blower unit with detail of the removable seal, the sealing/connection ring, and the elbow connector or patient outlet also shown.

Figures 10a and 10b show detail of the patient outlet.

Figures 11a and 11b show detail of the removable seal.

Figure 12 shows detail of the sealing/connection ring.

Figure 13 shows an exploded view of the blower and humidifier unit of the breathing assistance apparatus as shown in Figure 3, wherein the humidifier unit comprises a humidifier chamber, a separate chamber lid and a separate handle.

Figure 14 shows a perspective view of the humidifier chamber of Figure 13 with the humidifier chamber having a substantially horizontal inlet passage and an exit passage aligned radially and located towards the top of the chamber.

Figure 15 shows the humidifier chamber of Figure 14, but with a cap removed above open tops of the inlet and exit passages towards the centre of the chamber.

Figure 16 shows a cutaway view of the chamber of Figure 15, along section line A-A in Figure 15.

DETAILED DESCRIPTION OF THE INVENTION

A schematic view of a user 3 receiving air from a modular assisted breathing unit and humidifier system is shown in Figure 1. A conduit 41 provides pressurised air from an assisted breathing unit or blower 1a to a humidifier chamber 2a. Humidified, heated and pressurised gases exit the humidifier chamber 2a via a conduit 21, and are provided to the patient or user 3 via a user interface 4. The user interface 4 shown in Figure 1 is a nasal mask, which covers the nose of the user 3. However, it should be noted that in systems of these types, a full face mask, nasal cannula, tracheostomy fitting nasal pillows, oral interface, or any other suitable user interface could be substituted for the nasal mask shown.

Figure 2 shows a schematic view of the user 3 receiving air from an integrated blower/humidifier unit 5. The system generally operates in the same manner as the modular system shown in Figure 1 except that a humidifier chamber 2b has been integrated with a blower unit 1b to form the integrated unit 5. An example of an integrated unit is described in PCT application WO2008/056993, which is hereby incorporated by reference in its entirety.

Assisted Breathing Unit

An improved form of an assisted breathing unit or integrated unit 6 will now be described with reference to Figures 3 and 4.

The integrated unit 6 comprises two main parts: an assisted breathing or blower unit 7 and a humidification unit 31. When in use, the humidification unit 31 generally is enclosed within an enclosure 42 that is formed in an external casing of the integrated unit 6. In the illustrated configuration, the top part of the humidification unit 31 is not enclosed within the enclosure 42.

The blower unit 7 has an outer shell that generally is a rectangular block with substantially vertical side and rear walls, and a front face that is angled slightly rearwards. In

the illustrated embodiment, the walls, base and top surface are all manufactured and connected as far as possible to minimise the occurrence of seams. Any necessary seams can be sealed. This outer shell generally encloses the working parts of the blower unit 7 and forms part of the blower unit 7.

5 As shown in Figures 3 and 4, a user interface is located on the lower section of the front face of the illustrated integrated unit 6 with a control display 9 located directly above the user interface. The user interface can include a control knob 8. A patient outlet 25 is shown passing out of the rear wall of the integrated unit 6. In the illustrated embodiment, in use the free end of the outlet 25 faces upwards for ease of connection. However, the patient outlet 25
10 can be rotated to one side or to the other side to move or align it in a more convenient position for storage or to provide a more convenient use position.

The illustrated patient outlet 25 is adapted to allow both pneumatic and electrical connection to one end of a conduit, e.g., the conduit 21, that extends between the unit 6 and a patient interface, e.g., the interface 4. An example of the type of connector that can be used
15 and the type of dual connection that can be made is described in US Patent No. 6,953,354, which is hereby incorporated by reference in its entirety. It should be noted that for the purposes of reading this specification, the patient interface generally can be thought of as including both the interface 4 and the conduit 21 where it would be appropriate to read it in this manner.

20 The currently preferred embodiment of integrated unit 6 includes an inlet vent or inlet port (not shown) to draw air in from atmosphere. In alternative embodiments, the inlet port or vent could be a connector adapted to receive gases from a wall source, pressure bottle or the like. The integrated unit 6 can also include a mechanism for providing a pressurised air flow from the inlet vent to the humidifier chamber, which, in some embodiments, is a fan unit that
25 acts as a pressurised air flow mechanism. The vent can be located wherever is convenient on the external surface of the integrated unit 6. In some embodiments, it is located on the rear face of the blower unit 7.

The air is ducted or otherwise directed along an air path through the casing of the blower unit 7 and delivered to the humidifier chamber 12, where it is humidified and heated,
30 before passing out of the humidification unit 31 and onwards to the patient outlet 25 on the blower unit 7. The heated humidified gas then passes to the user 3 via the conduit 21.

The outlet port or patient outlet 25 is adapted to enable both pneumatic attachment of the patient conduit 21 and electrical connection via an electrical connector. In Figure 3, a conduit connector 34 that would normally be fitted to the end of the conduit 21 is shown

connected to the patient outlet 25. The outlet port or outlet connection does not have to be via the housing of the integrated unit 6, as in the illustrated embodiment. Instead, the connection for the conduit 21 could be located directly on an outlet from humidifier chamber 12. The illustrated form and variations generally can be referred to as connection mechanisms.

5 The blower unit 7 also contains electronic circuitry enclosed within the casing, which at least partly comprises a controller, such as a microprocessor or the like, and which provides control signals to control the output or outputs of at least the blower unit 7, and preferably other items such as the humidifier chamber 12. The control circuitry also can be adapted to receive signals from sensors in the system (e.g., pressure, flow, humidity and temperature
10 signals from these sensors as applicable) and to alter outputs from the control circuitry accordingly. The control circuitry also receives signals from user controls as the user controls are manipulated by a user and alters the output signals accordingly.

Active Status Indicator

As outlined above, one of the major design considerations when designing and
15 manufacturing domestic breathing assistance systems is a desire to minimise operating noise as much as practically possible. However, effective noise reduction can lead to some unforeseen secondary difficulties. If the noise reduction is too efficient, it can be difficult for a user to establish whether or not the apparatus is operating (i.e., producing a gases stream suitable for therapy). Software or control routines can be included that can gradually
20 increase, or ramp up, the operating flow or pressure from an initial start mode (i.e., low pressure and low flow) to a full operating mode (i.e., higher pressure and higher flow). Ramp modes or the like allow a user to fall asleep before they experience full gases pressure and flow, which can be irritating to a user who is awake and which can reduce the ability of a user to easily fall asleep. As a user falls asleep, the pressure and flow increase gradually (i.e.,
25 “ramp up”) to full operating conditions. However, when using these type of “gradual start” or “rampup” routines, it is possible that a user can fall asleep thinking that the machine is active but not yet in a full operating mode (i.e., the machine will ramp up once they are asleep) when the machine is actually inactive or in a standby mode. This can be inconvenient because a user will not receive the desired therapy and may not receive adequate fresh gases.

30 Even if “ramp up” routines are not used, it is possible for a user fall asleep assuming that a machine is running when it is actually inactive and thus not receive the desired therapy. With a machine that has been designed to have effective noise reduction, there is little aural reminder of the operating status. The system can be on, but not running in an operating mode, and so a user can inadvertently think that the system is operating.

In embodiments of the present invention, this problem is solved by including a display that visually indicates the operating or function condition, or that includes an indicator as part of the main user display. If the unit is in an operating mode (i.e., a mode in which it actively is, or shortly will be, providing flow and pressure for therapy), then the visual indicator is active. If, in contrast, the unit is off or in a standby mode where pressure and flow at therapeutic levels will not be provided unless the situation changes, then the visual indicator is inactive. In some embodiments, the user display 9 includes or incorporates the visual indicator that shows whether or not the system is in an operating mode. In some embodiments, the visual indicator could be separate from the main display 9; however, the presently illustrated configuration includes the visual operational indicator as part of the main LCD display 9.

According to some embodiments, the assisted breathing unit 6 has a plurality of operating modes. For example, the unit 6 may provide a CPAP mode with a delayed start, a CPAP mode with an initial pressure ramp and an automatically titrating mode that manages the therapeutic pressure in response to sleep disordered breathing events.

Preferably, the controller activates the same visual indicator in respect of all modes in which therapy is being, or will be, supplied. For example, the controller activates the visual indicator when any of the CPAP operating modes is active but leaves the visual indicator inactive when the unit is in a standby mode.

Removable Peripheral Device Connection Display

In some embodiments, the breathing assistance apparatus also is adapted to allow the attachment of a removable peripheral device or a removable memory device 10 that can have a read-writable memory and an integral connector 11. In some embodiments, the removable memory device 10 is a Universal Serial Bus (USB) memory stick type of electronic storage device. Alternatively, the removable peripheral device may be any type of removable or portable (e.g., pocket-sized or the like) electronic storage device, such as a smart card. The removable memory device 10 may also include embedded integrated circuits that can process information and store data.

The integral connector 11 of the removable peripheral device 10 is adapted for removable connection to the blower unit 7 via a slot or port 13 on the casing of the blower unit 7. An electrical communication pathway is formed when the peripheral device 10 is connected to the port 13 on the blower unit 7 or another portion of the assisted breathing unit 6. Once the connection is made, data can be uploaded to or downloaded from the removable

memory device 10 to the controller of the assisted breathing unit 6, which in the preferred embodiment is inside the casing of the blower unit 7.

As has been outlined above, one problem with removable devices of this type is that they can easily be connected improperly, or they can easily become at least partly disconnected during use. This improper connection, incomplete connection or disconnection can occur in a manner that is not easily or immediately apparent to a user at first glance. In other words, the improper connection, incomplete connection or disconnection is not immediately or easily visually apparent.

Certain features, aspects and advantages of the present invention overcome this problem by having a connection display that is adapted to indicate to a user that the removable peripheral device 10 is correctly connected.

In some embodiments, the user display 9 includes or incorporates the visual indicator which shows whether or not the removable peripheral device 10 is correctly connected to the port 13. That is, the connection display is incorporated as part of the main display 9, with the controller activating part of the display to show that the removable peripheral device 10 is correctly connected to the port 13 and to visually indicate to a user that the connection has been correctly established.

In alternate embodiments, this visual display could be separate from the main display 9. For example, the visual display could be an LED 14 offset from or positioned proximate the port 13. When the removable peripheral device 10 is correctly connected, the LED 14 will energise or light up to indicate to a user that the removable peripheral device 10 is correctly connected to the port 13.

There are many ways by which this can be achieved. For example, the integral controller in the blower unit 7 can interrogate the removable peripheral device 10 and establish if it is correctly connected or not. Once the controller has established that the removable peripheral device 10 is correctly connected, the controller can energise the relevant portion of the display or the LED 14.

In a further alternative embodiment, the connection display does not have to be electronic, but could be a line, a ridge or other physical visual display indicator on the removable memory device 10 that aligns with the edges of the slot defining the port 13 to show a user that the removable peripheral device 10 is correctly connected.

In a yet still further embodiment, the integral controller is not required to carry out any actions to establish if the connection has been made. Rather, correct insertion of the removable peripheral device 10 into the port 13 could close a switch or otherwise complete an

electrical circuit or the like which would not be closed or completed unless it was correctly inserted, and which is isolated from, or otherwise independent of, the main controller. Completing the electrical circuit activates or energises the visual display (e.g. the display or the LED 14).

5 Conduit Connection Display

As outlined above, incorrect connection or reconnection of the conduit or hose 21 to the gases source via connector 25 can cause breathing gas leaks. Incorrect connection can also mean that the desired electrical contact between the static gases source (e.g., the blower unit 7 in the preferred embodiment) and the electrical elements in the conduit 21 can be
10 intermittent or non-existent. Certain features, aspects and advantages of the apparatus of the present invention solves this problem by including a conduit connection display as part of the apparatus. In the most preferred embodiment, the LCD user display 9 includes or incorporates the visual indicator that shows whether or not the conduit 21 is correctly
15 connected. In other words, the conduit connection display can be incorporated as part of the main display 9 with the controller activating part of the display to show that the conduit 21 is correctly connected and to visually indicate to a user that the connection has been correctly established.

In an alternative form, the conduit connection display could be a separate LED
15 located at or close to the patient outlet 25.

20 For example, the controller can establish that the connection between the patient outlet 25 and the conduit 21 has been correctly made by sending an interrogation signal or like and then visually indicate to a user (e.g., energize the relevant portion of the LCD display 9 and/or the LED 15) that the connection has been correctly made.

25 There are many ways in which the controller may establish that the connection has been correctly made: by sending an interrogation signal, by receiving signals indicative of current flow, air flow or pneumatic pressure and comparing these to stored values, or by receiving a signal that could not be sent unless a physical connection had been made correctly within the patient outlet 25 and the conduit 21 (e.g., correctly connecting the two items could close a switch or make the final connection in a dedicated electrical pathway).

30 In a yet still further embodiments, the integral controller is not required to carry out any actions to establish if the connection has been made. For example, correct connection of the conduit 21 to the connector 25 could close a switch or otherwise complete an electrical circuit or the like, which is independent of the controller. Completing the electrical circuit

either directly or indirectly activates or energises the relevant portion of the display 9 or the LED 15.

Control Menu Functionality

In the preferred embodiment, the control menu is displayed on the display 9. In the preferred embodiment, the display 9 is an LCD display. The illustrated display 9 provides a circular ring of options adjacent the outer edge of the display 9. As the knob 8 is rotated, each of the options will activate in turn. When the knob or other selection button is depressed by the user, the activated option will be chosen. Once an option or parameter is chosen, for example “output power”, the level of this option or parameter can be adjusted by rotating the knob 8 clockwise and anticlockwise. A user then can exit this submenu and return to the main menu by, for example, tapping the knob inwards or pulling it outwards. The control circuitry can be programmed as required. Other options can be pre-programmed as desired. For example, pushing and holding in the knob 8 (or pulling it outwards and holding it out) could turn the unit off.

It is preferred that the mechanism of the knob 8 has a series of physically discrete positions and that the knob requires a small force to move between these positions. Preferably, the discrete positions (the “cogging” positions) that the knob 8 reaches as it is rotated correspond to different menu option positions.

The user interface functionality can be implemented by the controller. For example, the controller can include a stored control program and parameter data. The parameter data can include data indicating the accessibility status of each of the options. As will be discussed below, the controller activates the display icon of each of the accessible options. According to the control program, the controller may cause a predetermined icon from the displayed icons to be initially highlighted. For example the controller may activate an additional display element proximate to the icon. As the controller receives indications of movement of the knob 8 in a direction, the controller selects (as the direction dictates) an adjacent accessible option, removes highlighting from the initial icon and highlights the icon of the next option.

When the controller receives input of a selection button press, the control program responds by calling a routine associated with the option presently active and highlighted. This routine may invoke further layers of menu functionality, or may provide for setting a usage parameter. Preferably, the routine will display information and options for amending or changing the information.

As has been outlined above, breathing assistance apparatuses are getting more complex and sophisticated and the number of control options has increased. An end user does

not require a high level of control sophistication and can easily become confused or overloaded if presented with too many options for adjusting or controlling the output. Too many options can also be counter-productive if a user does not entirely understand the implications of changing the control parameters. However, a health professional may require a greater degree of control input when making adjustments to the operating conditions than is desired by an end user.

In order to overcome this problem, certain features, aspects and advantages of the preferred embodiment of the device of the present invention includes a way of removing access to a variable amount of the control functionality. A clinician or other health professional will have access to the full spectrum of functionality but can set the user interface so that an end-user (i.e., a person who receives therapy from the system) will initially be able to access a certain amount of control functionality, and will be locked out or otherwise unable to access some of the more sophisticated control elements or control subroutines. The user interface is adapted to display a control menu that has a number of control and display options. The controller has control options that are able to be manipulated to hide or block at least one, and preferably a plurality, of the control and display options. Once hidden, the control options are able to be manipulated to unhide or unblock the control and display options. In contrast, a health professional will be able to access those elements that are denied to the end user, by unlocking another level of the interface in order to access a greater range of functionality.

For example, a routine of the control program may include program code for presenting on the screen options for amendment of the accessibility parameter data. In response to user input using the knob and button, the controller may then adjust the stored parameter data.

Alternatively, the control program may update stored parameter data using data received over an external communication interface, or uploaded from a portable memory device.

If appropriate, once a user becomes more familiar with their own apparatus, they can be given access to some or all of this extra functionality. The control system is configured so that it is possible to gradually unlock more and more of the functionality, or to lock out or unlock various different individual functions or combinations of individual functions. This can be achieved by using a keying mechanism (electronic or otherwise), a password-protection routine, or any of a number of similar mechanisms or methods that are known in the art.

For example, the routine of the control program intended for amending the accessibility settings may include steps for displaying a prompt for password input, receiving input data in the form of a sequence of knob rotations, button pressures, or both, and check the input sequence against stored comparison data. Alternatively, the routine may prompt the user by sound or display, for example, to identify themselves using a biometric sensor on the unit or by inserting a personalised data storage device. Embodiments of the control functionality will now be described with reference to Figure 5.

In the illustrated embodiment, the user display 9 is capable of displaying a number of symbols and menu options relating to the control and output of the blower unit 7, for example. The controller can be initially set so that the totality of these menu functionality symbols and icons can be viewed, as shown in Figure 5e (e.g., a “clinician mode”). More limited menu options are shown in Figures 5a-d, where various combinations of the icons and symbols are hidden or “blanked out”, and are unavailable. One or more of these menus can be selected and made available to a user. For example, in some embodiments, the menu options shown in Figures 5c and 5e can be blocked while those shown in Figures 5a, 5b, and 5d remain available to be selected as desired. Alternatively, access to the most basic of menu functions and display, as shown in Figure 5a, initially can be provided and, over time and with experience, greater functionality can be unlocked. For example, a clinician can, after a certain period of time, unlock the second menu as shown in Figure 5b to allow a user access to the greater functionality. Then, after a certain time, a yet more complex menu/display as shown in Figure 5d can be unlocked. The clinician can also “re-lock” the menu functions as desired. In some embodiments, the controls are configured so that all possible combinations of menu functionality are available.

The controller may include functionality to effectively disable the user input controls according to certain conditions. In particular, the controller may disable the effect of the user input controls after a period of non-use of the controls. The control program may implement this functionality in any suitable way.

For example, the control program may set (or reset) a response timer each time a user control is activated, and steadily reduce the value of the timer. When user input is sensed, the program may check the response timer and either respond to the sensed input if the timer is above zero or, if the timer has expired, respond to the sensed input by implementing an activation test. The activation test may include displaying a prompt requesting specific manipulation of the controls to activate the user interface. The program monitors for sensed inputs corresponding with the specified manipulations. For example, the specified

manipulation may be depressing the button for a predetermined period, depressing the button a predetermined number of times, or performing a sequence of rotations of the knob. If the program receives data indicating manipulations that match the requested sequence, the program resets the timer so that subsequent user input is not blocked. Otherwise, the controller ignores the user input. The program may start or reset an additional short timer at each sensed user input during the test, and exit the test mode if the short timer expires.

By way of example, user input may be disabled after an inactive period preset to a value between 5 and 10 minutes and user input may be enabled by depressing the button for 3 seconds.

The intention of disabling user input is to reduce the likelihood that the device will be easily disrupted during operating modes because of, for example, the dark bedroom environment in which the device will usually be used.

As an additional step in deciding whether to act on user input, the control program may respond differently according to other operations of the device. For example, the control program may only disable input during an operating mode, and not when in standby mode. In some configurations, the control program may have certain modes where it will respond to some or all user input. For example, the control program may respond to input when the controller also is sounding an alarm. Such a configuration ensures that a user does not need to complete the activation test merely to deactivate the alarm.

Power Conservation Mode

The improved form of breathing assistance apparatus is adapted to be capable of connection to an external power supply. In some embodiments, the blower unit 7 has a socket to allow the unit to be connected to a source of mains power (e.g., either by plugging a power lead into the unit or via its own integral built-in lead). In normal operating mode, breathing assistance systems can use a large amount of power over an extended period (e.g., when running at full power for a full eight-hour sleep period). This is not normally an issue if the system is connected to a source of mains power. However, there are occasions when a user may not have access to a mains power supply. For example, if the user is travelling then they may not be able to connect their system to a mains power source. The user could be on a long-haul flight. Alternatively, the user could, for example, be a trucker, fisherman or member of a similar group who regularly sleep in their vehicles.

Certain features, aspects and advantages of the preferred embodiment of the present invention therefore have the control program capable of causing the controller to provide a power conservation or power saving mode, which is user-selectable or which the apparatus

automatically switches to if the controller senses that it is running on a supply other than a mains power supply. Thus, the control program can automatically switch from a standard or full-power mode to a power saving mode. Alternatively, if the power-saving mode is intended to be user-selectable, the control program may allow the user to manually select the power saving mode via the user interface. In some embodiments of the power saving mode, the controller limits work done at a maximum rate of between 50 and 100 Watts, or at about 75 Watts. However, in alternative embodiments, the control program may allow a user to set the maximum rate, or the rate could be pre-programmed at a different maximum. The control program may allow a user to switch back to full power mode when the unit is connected to a mains power supply, or the controller may be programmed to automatically switch back to a full power mode once reconnected to a source of mains power. Alternatively, the control program may allow a user to manually override the power saving mode and switch to the full-power mode when the unit is not connected to a mains source, if desired.

There are several ways in which the control program may detect whether it is connected to a non-standard or non-mains source of power. Several ways in which the system can detect this are outlined below.

Firstly, as has been outlined above, a user may plug their system into the electrical circuit of an aircraft. Typically, a normal mains circuit will operate at a certain frequency - for example, in the USA, the mains circuit is AC and operates at 60Hz. In Europe, and many other countries, the AC mains circuit operates at 50Hz. An aircraft's electrical circuit will for example, run an electrical system at 400Hz rather than 60Hz. The advantage of this is that the power supplies are smaller and lighter, a prime consideration in aircraft design. An electrical system of this type, capable of powering devices usually powered by mains power can be generally referred to as providing a synthesised mains AC power supply. When a user plugs their breathing assistance system into the aircraft's electrical system, the electrical circuitry in the system will receive power at a frequency of 400Hz. In one embodiment, the electronic circuitry of the system is adapted to detect the frequency of the power supply. If the power supply is delivered at a "mains" frequency (e.g. 50Hz for Europe, 60Hz for the US, etc), then the electronic circuitry operates the system in a standard mode, and the system is powered as normal. If the electronic circuitry detects that the frequency of the power supply is outside this pre-set range, then the controller will switch the system to the power-saving mode.

In a vehicle such as a truck, the electric circuit is usually battery-powered and is usually a 12V or 24V DC supply. A mains-type socket may be provided in the circuit to allow a user to plug mains-enabled devices into the circuit to draw power from the vehicles

power supply. Usually, an inverter will be fitted in the circuit to convert the DC current of the vehicle circuit to AC so that AC devices can be powered. Power provided in this manner can generally be referred to as a synthesised mains AC power supply.

5 In some embodiments of the breathing assistance system, the system can be fitted with a detector that receives a signal indicating that it should switch from the normal mode to the power-saving mode. For example, the system can be fitted with an infra-red detector or a Bluetooth detector, for example, connected to the electronic circuitry. On receiving a signal indicating that synthesised mains AC power is being provided, rather than “true” mains power, the system will switch to the power-saving mode. Alternatively, a secondary signal
10 can be superimposed over the power supply signal, the secondary signal detected by the electronic circuitry of the breathing assistance system, and the circuitry switching the system to the power-saving mode on detection of the superimposed signal.

Alternatively, the system can be fitted with user controls that are adapted to allow a user to manually switch between a standard operating mode and a power saving mode.

15 The controller in alternative forms could also be powered by an internal power source or batteries. The system could switch automatically to a power-saving mode when disconnected from a main power supply, or this could be carried out manually by a user using the user controls.

As shown in Figure 3, and described above, the blower unit 7 has the patient outlet 25
20 passing out of the rear wall of the integrated unit 6. As described above, the patient outlet 25 is adapted to allow both pneumatic and electrical connection to one end of a conduit (e.g., the conduit 21) running between the unit 6 and the patient interface (e.g., the interface 4). In some embodiments, an integrated unit (or modular unit) that includes an improved form of elbow has two advantages over the prior art. Firstly, the elbow is removable from the rest of
25 the blower unit 7 for cleaning, maintenance, or the like. Secondly, the elbow is structured in such a manner that gases flowing through it are insulated. Thus, the heated humidified gases passing out of the blower unit tend to lose less heat to the atmosphere or ambient surroundings than would otherwise be the case. Embodiments of an elbow connector that embodies these two advantages will now be described with reference to Figures 6, 7, 8 and 9.
30 It should be noted that these two advantages do not have to be simultaneously realized, and that each could be realized separately from the other.

Removable elbow connector

A close-up of the blower unit 7 is shown in Figure 6, looking from above and to the rear, from one side. The enclosure 42 for the humidifier unit 31 is shown with the humidifier unit 31 removed from the blower unit 7.

In use, the outlet of the humidifier chamber 31 connects with the inlet aperture 30 of a removable seal 32. The removable seal 32 forms an outlet gases passage such that heated humidified gases from the humidifier chamber 31 can pass into the patient outlet 25 and on to the patient 1. In some embodiments, at least the inlet aperture 30 of the removable seal 32 is formed from a soft sealing material, such as silicone rubber, for example but without limitation. The structure and composition of the removable seal will be described in greater detail below.

Figure 7 shows further detail of the connection between the patient outlet or elbow 25 and the rest of the blower unit 7. For clarity, the outermost casing of the blower unit is not shown. The path between the inlet aperture 30 and the elbow connector 25 can be seen.

Figure 8 shows an exploded view of those parts of the blower unit shown in Figure 7. The enclosure 42 for the humidifier chamber 31 is shown. Also shown are the patient connector 25, the removable seal 32, and a sealing/connection ring 33 that rigidly connects to the inner end of the patient connector or elbow 25. Preferably, when connected together, the sealing ring 33 and the elbow 25 cannot move relative to one another.

The structure of the illustrated elbow 25 now will be described with particular reference to Figure 10. The illustrated elbow connector 25 is formed so that it has substantially a right-angle or 90-degree bend at the centre, which divides the elbow 25 into two halves or portions of substantially equal length. An inner portion closest to the blower unit is adapted to connect to the blower unit 7 in use. An outer portion in use connects to the patient conduit 21. The inner end 36 of the inner portion of the elbow 25 is formed as a gases inlet so that in use it can receive gases from the humidifier 31. The outer portion connects to the inner end of the conduit 21 in use.

The illustrated sealing ring 33 is formed as a rigid ring that fits over and around the inner end 36 of the elbow 25. The inner end 36 has a pair of indents or slots 47 formed on the outer surface thereof, with a pair of complimentary ridges 48 formed on the inside surface of the sealing ring 33. These allow the sealing ring 33 and the elbow connector 25 to clip or slot together via friction fit, for example. In other words, the ridges 48 may fit into the slots 47 to hold the two parts together.

The illustrated sealing ring 33 also includes an electrical connector 19. The electrical connector 19 preferably fits into an indent or recess 35 in the elbow 25. The recess 35 can be

formed on or at the inside corner of the elbow 25. The electrical connector preferably is aligned so that when the sealing ring 33 and the elbow 25 are connected, the electrical connector 19 is generally parallel with the outer portion or half of the elbow 25. This allows electrical and pneumatic connection between the elbow 25 and a connector on the end of conduit 21 to be achieved easily in one action.

In use, the illustrated sealing ring 33 is fitted into the outer casing of the blower unit 7 and is generally non-removably held in position therein. For example, a circlip or similar engaging mechanism may be interposed between the casing and a flange of the sealing ring. Such a configuration can best be seen by comparison of Figures 6 and 7, with Figure 6 showing the outer casing and figure 7 showing a similar view with the outer casing not shown. Because the elbow 25 is held in place by a friction fit with the sealing ring 33, for example, the elbow 25 can be removed by pulling it outwards away from the blower unit 7. This allows the elbow 25 to be easily removed for cleaning or replacement as desired.

Insulated elbow connector

One well-known problem with the provision of heated, humidified gases to a user from a CPAP-style system is that the blower and humidifier components of the system tend to be located at a distance from the point of delivery. There is therefore some difficulty in maintaining the temperature of the gases between the blower/humidifier part of the system and the point of delivery. In the art, this is mainly addressed by heating the conduit 21 to maintain the temperature. However, it remains desirable to minimise as far as possible all potential ways in which heat can escape from the gases.

In accordance with certain features, aspects and advantages of the preferred embodiment of the present invention, gases exiting the humidifier unit 31 enter the removable seal 32 and then pass into the elbow 25. The outer end of the removable seal 32 is located inside the inner end of the elbow 25 such that there is some overlap between the two.

Figure 9 shows a cross-section of the seal 32, the blower unit 7, the sealing ring 33 and the elbow 25. As can be seen, the outer end of the seal 32 passes into the inner end of the elbow 25, and there is overlap between the two. Gases travelling through the innermost portion of the elbow 25 are insulated from atmosphere because they are surrounded by the removable seal 32, the inner portion of the elbow 25, and the sealing ring 33. The outer arm or outer portion of the elbow 25 is in use surrounded by the connector portion 34 of the conduit 21, as can best be seen in Figure 3. This effectively insulates the gases in the outer arm of the elbow 25.

With reference to Figures 9 and 10, the remainder of the elbow 25, the outer portion of the inner arm, is insulated by surrounding an inward gases passage 37 with an insulating wall 38, spaced from the inward gases passage 37 so that an airgap 50 is formed between the passage 37 and the wall 38. In use, this airgap 50 is closed to the atmosphere on its open side
5 (i.e., the inner or blower side) by the sealing ring 33.

In this embodiment, the air gap 50 completely surrounds the inward gases passage 37, except for the recess 35. The recess 35 has the effect of causing the insulating wall 38 to curve inwards to contact the passage 37, as best seen with reference to Figure 10a.

The air gap 50 between the inward gases passage 37 and the insulating wall 38 serves
10 to insulate the gases flowing through the elbow 25 and assists in retaining the heat of these gases.

Removable seal

The removable seal 32 will now be described with particular reference to Figures 9 and 11. As described above, the outlet of the humidifier chamber 31 connects with the inlet
15 aperture 30 of the removable seal 32 so that heated humidified gases from the humidifier chamber can pass through the removable seal 32, into the patient outlet 25 and then on to the patient 1. The removable seal 32 forms an outlet gases passage for the blower unit. In some embodiments, the entirety of the removable seal 32 is formed from a soft, flexible material, such as silicone rubber, for example but without limitation. With reference to Figure 11a, the
20 overall form of the illustrated seal 32 is that of a funnel. The inner portion of the seal 32 forms a wider mouth 60 of the funnel.

The opening of the mouth 60 (i.e., on the inner side) is substantially rectangular such that the mouth portion of the funnel has the shape of a rectangular funnel. The opening of the illustrated mouth 60 is surrounded by a flange 61 that in use seals against the side surface of
25 the rear wall of the enclosure 42.

The flange 61 can, if desired, include ridges or the like (not shown) that press-fit into complimentary sockets or slots in the blower unit to hold the removable seal 32 in position. In some embodiments, the flange 61 and at least part of the mouth 60 are curved so as to fit flush against the curved rear wall of the enclosure 42.

The outer portion of the illustrated removable seal 32 forms a stem 62 of the funnel.
30 The outermost end of the stem 62 has a rim 63 that is wider than the remainder of the stem 62. The rim 63 is shaped so that the stem 62 and the rim 63 has a barbed appearance in cross-section with the rim 63 being wider at the inner side than at the outer side.

In use, to assemble the illustrated blower unit, the removable seal 32 is pressed into and through an aperture in the rear wall of the blower unit to form an outlet passage from the humidifier chamber outlet, through the wall of the blower, and into the elbow 25. The illustrated rim 63 has an interference fit with the inner surface of the inward gases passage 37
5 of the elbow such that a seal is formed between the two.

The removable seal 32 can be removed from the blower easily, such as by pulling it out of the wall of the blower unit. This is useful for cleaning, maintenance or replacement. The interference fit between the stem 63 and the inner arm of the elbow 25 provides a gas-tight seal between the two components. The elbow 25 may still be rotated relative to the
10 removable seal (i.e., the rotation taking place around an axis that substantially forms the centre line of the stem 62).

Humidifier chamber

The humidifier unit 31 will now be described in more detail with reference to Figures 13-17.

In some embodiments, the humidifier unit 31 is comprised of three main parts: a humidifier chamber 112, a lid 132 and a locking handle 122, which is counted as part of the humidifier unit for the purpose of describing the operation of the integrated unit 6.
15

In some embodiments, the humidifier chamber 112 is an open-topped container with a heat conducting base. The illustrated chamber 112 is sized to fit snugly within the enclosure 42 on the integrated unit 6. In other words, the chamber 112 is enclosed within the blower unit except for the open top of the chamber 112. A fully open topped chamber 112 can be provided. However, an alternative form of the chamber 112 could have a closed top surface, and would include an opening on the chamber positioned (e.g., not necessarily on the top surface) and sized appropriately so that a user can easily fill the chamber 112. This opening
20 could be one of the apertures that are normally used for gases delivery in use. The chamber 112 with an open top, and the alternative form that includes a fill opening on the top are referred to as "open top", or "top openings" within this specification. The open top may also be referred to as a "top fill aperture". It should also be noted that when the humidifier chamber 112 is referred to as "enclosed", or "substantially enclosed" in relation to the
25 integrated breathing assistance apparatus, this has the meanings consistent with the construction defined above.
30

In some embodiments, the chamber 112 is a generally circular cylinder, but the lower part of the rear (relative to the integrated unit 6) is flattened and indented to correspond to ledge 133 on the lower rear side of the enclosure 42. This assists the chamber 112 to be

oriented correctly in use. It should be understood that other methods of achieving the same result could also be used. For example, the chamber 112 and integrated unit 6 could include complimentary grooves and slots or the chamber 112 could be non-cylindrical so that it only fits the housing in one orientation.

5 The chamber 112 can also include features such as a fill or level line.

A humidifier inlet port 115 and a humidifier outlet port 116 can be located in the wall of the humidifier chamber 112. In the illustrated configuration, the inlet port 115 and the outlet port 116 are located towards the top of the chamber wall. These are positioned so as to align with a blower inlet port and a blower outlet port when the humidifier chamber 112 is in position. In use, air from the blower unit passes into the humidifier chamber 112 through the humidifier gases inlet port 115, passes through the chamber (becoming heated and humidified as it does so), and exits the humidifier chamber 112 through the humidifier gases outlet port 116 and passes into the passage formed by the removable seal 32. The internal structure of the humidifier chamber shall be described in detail below.

15 In use, the chamber 112 is positioned (i.e., in the correct orientation) within the enclosure 42. The lid 132 then is placed on top of the chamber 112. The lid 132 is sized so that it will pass through the top opening of the integrated unit 6. A lower surface of the lid 132, close to the edge, seals onto the upper edge of the chamber 112.

The lid 132 is placed in position on the chamber 112 once the chamber 112 has been filled. The locking handle 122 then is positioned above the lid 132. Lugs 127 on the circumference of the locking handle 122 engage with complimentary grooves 126 on the blower unit 7 to lock the lid 132 in position.

The generally cylindrical chamber 112 and round lid 132 have been described, with locking/unlocking of the lid 132 achieved by rotating the separate locking handle 122. However, this is not the only way in which this effect can be achieved. For example, spring loaded clips could be used, with the clips released by a button placed in a convenient location. A hinged lid could also be used, with a clip and complimentary catch located on the lid and the blower unit, to hold the lid closed in use. Alternatively, the chamber lid 132 and the locking handle 122 could be integrated as a single unit.

30 In some embodiments, the rim or perimeter of the chamber 112 also includes a chamber seal 110, formed from soft silicone or similar. When the chamber 112 is placed in position in the enclosure 42, the chamber seal 110 is pressed against the wall or walls of the enclosure 42 to ensure that the chamber 112 is sealed, so that air entering the chamber from the blower cannot escape to atmosphere. If desired, a substantially unbroken ring of sealing

material such as soft silicone can be provided to the wall of the enclosure 42 at or close to the upper rim of the chamber 12, to form a compartment seal (not shown) instead of or as well as the chamber seal 110.

As can be seen in Figure 13, the humidifier chamber 112 can be substantially circular in plan view. An inlet passage 134 and an exit passage 136 can be aligned or defined radially.

Gases enter the humidifier chamber 112 through the humidifier inlet port 115, and pass along the generally horizontal entry passage or inlet passage 134. The passage 134 is aligned radially towards the centre of the humidifier chamber 112.

As can best be seen with reference to Figures 14 and 15, the inlet passage 134 is open-topped at the end closest to the centre of the chamber. When assembled, the open top is closed by a removable cap 202. The cap 202 is formed as a removable item because this aids in manufacture and moulding of the chamber 112. Edges of the cap 202 also act as a handle, allowing a user to grip the cap and pull the chamber 112 out of the enclosure 42.

As best seen in Figure 15, one portion 140 of the side of the inlet passage 134 is reduced in height. When the cap 202 is in position, there is an aperture in one side of the passage (i.e., between the portion 140 and the cap 202) to allow gases to exit the inlet passage 134 and to enter the main body of the chamber 112.

This aperture is referred to as the primary gases inlet aperture, as it allows gases to exit the inlet passage 134 and enter the main body of the chamber 112.

Also, an inlet passage recess 300 is formed in the lower surface or part of the passage 134 towards that end that is closest to the centre of the chamber 112. At least one or a number of secondary inlet apertures 301 are formed within the inlet passage recess 300, possibly on the lower part or surface, facing substantially vertically downwards into the humidifier chamber 112.

A proportion of the gases exit the inlet passage 134 through the entry apertures 301 and enter the main body of the humidifier chamber 112. The greater portion of the gases will exit into the main body of the chamber 112 through the primary inlet aperture, which is considerably larger than the secondary inlet apertures 301. However, the presence of the inlet recess 300 and secondary inlet apertures 301 is advantageous, as it forces at least a proportion of the gases entering the main body of the chamber 112 downwards towards the surface of the water, and increases the length of time that a given volume of gases will spend in the chamber such that the gases are more likely to be heated and humidified to the required level before exiting the chamber.

In use, the gases in the main body of the chamber 112 are heated and humidified, and exit the main body of the chamber 112, entering the exit passage 136. The exit passage is, in the exemplary embodiment, aligned radially, with one end at the centre of the chamber 112, connected to the end of the entry passage 134, the ends of the two passages are separated by
5 an internal wall, so that in some embodiments, the passages are structurally connected but fluidically disconnected. The exit passage 136 has reduced height (or non-existent) side walls and an open top at that end that is closest to the centre of the chamber 112, as can best be seen with reference to Figure 15. The cut out sides form primary gases exit apertures.

The exit passage 136 also includes an exit recess 303 formed in or on the lower
10 surface of an exit passage 136. The exit recess has a secondary exit aperture or exit apertures 201. The apertures can be formed on the lower part or surface. The exit recess 303 and the secondary exit apertures 201 are, in some embodiments, formed at that end of the exit passage closest to the centre of the chamber 112. The secondary exit apertures 201 face substantially vertically downwards into the humidifier chamber 112. When fully assembled, the open top
15 of the exit passage 136 is closed by the cap 202. Heated humidified gases from the chamber 112 enter the exit passage through the primary exit apertures in the sides of the passage, and through the exit apertures 201.

The majority of the gases enter the exit passage through the primary exit apertures in the side wall. The gases pass along the exit passage 136 to the chamber exit port 116 and then
20 into the passage formed by the removable seal 32, and on to the user 3 as described above.

In some embodiments, the angle between the inlet passage 134 and the exit passage 136 is about 125 degrees between their centrelines, when viewed from above or in plan. The passages can be at an angle between 110 degrees and 160 degrees. This has the advantage that the fitting position of the chamber is easy to identify, and the chamber will only fit in the
25 enclosure 42 in one orientation. Also, as the chamber inlet and outlet are in non-symmetrical positions, the chamber can't rotate once fitted.

As described above, both the inlet passage 134 and the exit passage 136 have recesses, an entry recess 300 and an exit recess 303 respectively, with secondary apertures formed in these recesses to allow a portion of the gases entering and exiting the chamber to pass
30 through. Although the majority of the gases enter and exit the main body of the chamber 112 through the primary apertures formed in the sides of the passage, it has been found that forming these secondary apertures into the recesses is beneficial, as pressure drop across the chamber is minimised, and it is easier to produce and maintain the required amount of humidity. Also, water splash from the main part of the chamber into the passages is

minimised or eliminated for a tilt angle of 20 degrees or under. This combination of features advantageously assists during standardisation testing. For example, the combination of features can assist in meeting the requirements of ISO 8185 clause 44.2, which states that
5 *“when the humidifier is tilted through 20 degrees in any direction from its normal operating position, there shall be no spillage of water from the liquid chamber or liquid reservoir into the breathing system when operated at the maximum flow...”*.

As described above, the secondary entry apertures 301 and the secondary exit apertures 201 are formed in their respective recesses (300, 201) in their respective passages at a position towards the centre of the passages. Forming the recesses and apertures in the
10 passages towards the centre of the chamber makes it more difficult for water in the chamber to enter the passages if a filled chamber is tilted in use - the likelihood of splashing occurring and water entering the exit passage 136 in particular is reduced. However, forming the entry apertures and the exit apertures in this manner means that they will be substantially adjacent to one another, and there is a risk that gases entering the chamber will not spend sufficient
15 time in the chamber for them to become heated and humidified to the required levels (dwell time) - they may tend to cross over or short circuit between the entry and exit apertures before being suitably heated and humidified.

In order to ensure that the gases do not short circuit through the main body of the chamber and that they “dwell” for a suitable period within the chamber, the chamber includes
20 a baffle 135 which extends downwards substantially vertically from the ends of the entry and exit passages, between the entry apertures and the exit apertures. In some embodiments, the baffle is also slightly curved horizontally, with the vertical edges curving towards the humidifier inlet port 115. It can be seen that the baffle 135 reduces the likelihood of air from the inlet passage 134 moving on a direct path to the exit passage 136.

As described above, the inlet passage 134 has a primary aperture on one side only. In
25 some embodiments, this aperture is formed on that side of the passage that is furthest from the exit passage (i.e., the two passages being formed at an angle to one another as described above), and that therefore the gases have a further distance to travel before exiting the main body of the chamber 112, further reducing the likelihood of the gases “short-circuiting”
30 through the chamber (the distance from the point at which the gases enter the chamber, to the nearest point at which they can exit, is maximised).

As can be seen in Figures 14 and 15, the chamber can also include buttress ribs 401, 402 extending radially outwards from substantially the centre or meeting point/join of the two passages, towards the periphery or perimeter of the chamber 112. The buttress ribs 401, 402

are located at the top of the main body of the chamber 112. The buttress ribs 401, 402 serve a dual purpose. Firstly, they strengthen the chamber against crushing forces applied from the sides (horizontally). Secondly, they deflect gases which are circulating at the top of the chamber downwards towards the surface of the water in the chamber. This helps to ensure that the gases in the chamber are suitably humidified before they exit the chamber.

In some embodiments, and in the embodiment shown in the figures, the humidifier gases inlet port 115 and the humidifier gases outlet port 116 are located on the perimeter of the chamber 112. In some embodiments, the chamber is circular in plan, so the perimeter is on the circumference. In an alternative form, the chamber can be configured so that one or both of the humidifier gases inlet port and the humidifier gases outlet port are located at a point or points closer to the centre of the chamber 112. For example, one or both of the passages 134, 136 could be shortened so that they only extend part of the way from the centre of the chamber to the perimeter. The humidifier gases inlet port and the humidifier gases outlet port in this configuration would be configured to connect to appropriate inlets and outlets on the blower or other external piece of equipment. The openings of the humidifier gases inlet port and the humidifier gases outlet port could open upwards, or horizontally, for example. The passage assembly or assemblies in this alternative configuration could be held in position by the buttress ribs 401, 402.

Although the present invention has been described in terms of a certain embodiment, other embodiments apparent to those of ordinary skill in the art also are within the scope of this invention. Thus, various changes and modifications may be made without departing from the spirit and scope of the invention. For instance, various components may be repositioned as desired. Moreover, not all of the features, aspects and advantages are necessarily required to practice the present invention. Accordingly, the scope of the present invention is intended to be defined only by the claims that follow.

CLAIMS

1. A blower unit for use as part of a breathing assistance system for providing gases to a user at a positive pressure for therapeutic purposes, comprising:
- an outer casing, which encloses and forms part of said blower unit, said outer casing
5 having an inlet vent or inlet port through which gases can enter said casing in use, and an outlet port, said inlet port and said outlet port connected by a gases path within said casing,
a fan unit contained within said casing and located in said gases path, said fan unit adapted to receive said gases entering through said inlet vent and provide a pressurised gases stream to said outlet port,
- 10 electronic circuitry enclosed within said casing, said electronic circuitry adapted to provide control signals to control the output or outputs of at least said blower unit,
said blower unit further comprising a visual indicator adapted to indicate that the blower unit is in an operating mode.
- 15 2. A blower unit as claimed in claim 1 wherein said blower unit further comprises a user display adapted to display information relating to the output or outputs of at least said blower, said visual indicator being part of said user display.
3. A blower unit as claimed in claim 2 wherein said visual indicator is located on said
20 casing and separate from said user display.
4. A blower unit as claimed in claim 3 wherein said visual indicator is an LED.
5. A blower unit as claimed in any one of claims 1 to 4 wherein the electronic circuitry
25 may control the fan unit in multiple modes, including a plurality of operating modes in which the fan unit will supply gases at a positive therapeutic pressure, and at least one mode where the fan unit will not supply gases at a positive therapeutic pressure, and activates the same visual indicator in respect of all of the plurality of operating modes and does not activate the visual indicator in respect of other modes.
- 30 6. A gases modification unit for use as part of a breathing assistance system for providing gases to a user for therapeutic purposes, comprising:

an outer casing having an inlet vent or inlet port through which gases can enter said casing in use, and an outlet port, said inlet port and said outlet port connected by a gases path within said casing,

5 electronic circuitry enclosed within said casing, said electronic circuitry adapted to provide control signals to control the modification of properties of gases passing along the gases path,

said gases modification unit further comprising a connection display which is adapted to indicate to a user that a removable peripheral device is correctly connected to said blower unit in use.

10

7. A gases modification unit as claimed in claim 6 including a fan unit contained within said casing and located in said gases path, said fan unit adapted to receive said gases entering through said inlet vent and provide a pressurised gases stream to said outlet port.

15

8. A gases modification unit as claimed in either claim 6 or claim 7 wherein said casing has a slot or port on or within said casing and accessible from outside said casing, adapted to allow the connection of a removable memory device to said gases modification unit.

20

9. A gases modification unit as claimed in any one of claims 6 to 8 wherein said connection display is an LED offset from said slot or port.

25

10. A gases modification unit as claimed in any one of claims 6 to 8 wherein said gases modification unit further comprises a user display adapted to display information relating to operation of the gases modification unit, said connection display incorporated as part of said user display.

11. A gases modification unit and removable memory device for use as part of a breathing assistance system for providing gases to a user for therapeutic purposes, said unit comprising:

30 an outer casing, having an inlet vent or inlet port through which gases can enter said casing in use, and an outlet port, said inlet port and said outlet port connected by a gases path within said casing,

electronic circuitry enclosed within said casing, said electronic circuitry adapted to provide control signals to control the modification of properties of gases passing along the gases path,

the outer casing further comprising a slot or port on or within said casing and accessible from outside said casing, said slot and a removable memory device mutually adapted to allow the connection of said removable memory device to said blower unit in such a manner that when correctly connected, at least part of said removable memory device protrudes from said casing,

said removable memory device further having a visual indicator on the outside surface, said visual indicator aligning with the edge of said slot when said removable memory device is correctly connected to said blower unit.

10 12. A gases modification unit as claimed in claim 11 wherein the visual indicator is a line or ridge on the removable memory device.

13. A gases modification unit as claimed in either claim 11 or claim 12 including a fan unit contained within said casing and located in said gases path, said fan unit adapted to receive said gases entering through said inlet vent and provide a pressurised gases stream to said outlet port.

14. A gases modification unit for use as part of a breathing assistance system for providing heated humidified gases to a user at a positive pressure for therapeutic purposes, comprising:

an outer casing having an inlet vent or inlet port through which gases can enter said casing in use, and an outlet port adapted for connection to a gases conduit in use so that gases can pass out of said outlet port and into said conduit, said inlet port and said outlet port connected by a gases path within said casing,

electronic circuitry enclosed within said casing, said electronic circuitry adapted to provide control signals to control the modification of properties of gases passing along the gases path,

said gases modification unit further comprising a conduit connection display which is adapted to indicate to a user that said conduit is correctly connected to said outlet port.

15. A gases modification unit as claimed in claim 14 including a fan unit contained within said casing and located in said gases path, said fan unit adapted to receive said gases entering through said inlet vent and provide a pressurised gases stream to said outlet port.

16. A gases modification unit as claimed in either claim 14 or claim 15 wherein said conduit connection display is an LED located on said casing.

17. A gases modification unit as claimed in claim 3 wherein said LED is located on said casing at or close to said outlet port.

18. A gases modification unit as claimed in any one of claims 14 to 17 wherein said gases modification unit further comprises a user display adapted to display information relating to operation of the gases modification unit, said conduit connection display incorporated as part of said user display.

19. A gases modification unit for use as part of a breathing assistance system for providing gases to a user at a positive pressure for therapeutic purposes, comprising:

an outer casing having an inlet vent or inlet port through which gases can enter said casing in use, and an outlet port adapted for connection to a gases conduit in use so that gases can pass out of said outlet port and into said conduit, said inlet port and said outlet port connected by a gases path within said casing,

electronic circuitry enclosed within said casing, said electronic circuitry adapted to provide control signals to control modification of properties of the gases passing through the gases path,

a set of user controls adapted to allow a user to adjust operating parameters of the electronic circuitry,

a user display, adapted to display a control menu which has a number of control and display options,

said user controls manipulable to hide or block at least one and preferably a plurality of said control and display options, and once hidden, said user controls manipulable to unhide or unblock said control and display options.

20. A gases modification unit as claimed in claim 19 wherein once said at least one of said control and display options is blocked, said user controls are manipulable to hide or block further one or ones of said control and display options, and further manipulable to unhide or unblock said hidden one or ones of said control and display options.

21. A gases modification unit as claimed in claim 19 or claim 20 wherein said electronic circuitry has a password-protection routine, said user controls require entry of a password before allowing a user to hide and unhide at least some of said control and display options.

5 22. A gases modification unit as claimed in claim 19 or claim 21 wherein said user controls further have a keying mechanism adapted to allow a user to hide and unhide at least some of said control and display options.

10 23. A gases modification unit as claimed in any one of claims 19 to 22 including a fan unit contained within said casing and located in said gases path, said fan unit adapted to receive said gases entering through said inlet vent and provide a pressurised gases stream to said outlet port.

15 24. A blower unit for use as part of a breathing assistance system for providing gases to a user at a positive pressure for therapeutic purposes, comprising:

an outer casing, which encloses and forms part of said blower unit, said outer casing having an inlet vent or inlet port through which gases can enter said casing in use, and an outlet port adapted for connection to a gases conduit in use so that gases can pass out of said outlet port and into said conduit, said inlet port and said outlet port connected by a gases path
20 within said casing,

a fan unit contained within said casing and located in said gases path, said fan unit adapted to receive said gases entering through said inlet vent and provide a pressurised gases stream to said outlet port,

25 electronic circuitry enclosed within said casing, said electronic circuitry adapted to provide control signals to control the output or outputs of at least said blower unit,

an internal power source contained within said casing and adapted to provide power to at least said fan unit and said electronic circuitry,

said blower unit further adapted to connect to a mains supply to receive power for at least said fan unit and said electronic circuitry,

30 in use, said blower unit drawing power from said mains supply by default if connected to said mains supply, and otherwise drawing power from said internal power source,

the electronic circuitry including a power saving mode for operating the blower where work is done at a maximum power rate below the rate at which said blower unit draws power when connected to said mains supply.

25. A blower unit as claimed in claim 24 wherein said electronic circuitry automatically switches to said power-saving mode when said blower unit is drawing power from said internal power source.

5

26. A blower unit as claimed in claim 24 wherein said blower unit further comprises user controls adapted to allow a user to switch said electronic circuitry between a normal operating mode where full power is available, and said power-saving mode.

10

27. A blower unit as claimed in any one of claims 24 to 26 wherein when in said power saving mode, said maximum power rate is between 50W and 100W.

28. A blower unit as claimed in claim 27 wherein said maximum power rate is about 75W.

15

29. A blower unit for use as part of a breathing assistance system for providing gases to a user at a positive pressure for therapeutic purposes, comprising:

an outer casing, which encloses and forms part of said blower unit, said outer casing having an inlet vent or inlet port through which gases can enter said casing in use, and an outlet port adapted for connection to a gases conduit in use so that gases can pass out of said outlet port and into said conduit, said inlet port and said outlet port connected by a gases path within said casing,

20

a fan unit contained within said casing and located in said gases path, said fan unit adapted to receive said gases entering through said inlet vent and provide a pressurised gases stream to said outlet port,

25

electronic circuitry enclosed within said casing, said electronic circuitry adapted to provide control signals to control the output or outputs of at least said blower unit,

said blower unit further adapted to connect to an external power supply to receive power for at least said fan unit and said electronic circuitry, operate in a standard mode when connected to an AC mains power source,

30

said electronic circuitry having a power saving mode where work is done at a maximum power rate below the rate at which said blower unit draws power when operating in said standard mode, said electronic circuitry adapted to detect when said blower unit is connected to a synthesised mains AC power supply.

30. A blower unit as claimed in claim 29 wherein said electronic circuitry is adapted to detect the frequency of said synthesised mains AC power supply, said electronic circuitry automatically switching to said power-saving mode when said frequency is above 50Hz.

5 31. A blower unit as claimed in claim 29 wherein said electronic circuitry is adapted to detect the frequency of said synthesised mains AC power supply, said electronic circuitry automatically switching said to said power-saving mode when said frequency is above 60Hz.

10 32. A blower unit as claimed in claim 29 wherein said electronic circuitry is adapted to detect a secondary signal superimposed over the power supply signal, and to automatically switch to said power-saving mode on receipt of said secondary signal.

15 33. A blower unit as claimed in claim 29 including a remote transmission detector connected to said electronic circuitry, said detector adapted to receive a transmitted signal and pass said signal to said electronic circuitry, said electronic circuitry switching to said power-saving mode in response to receiving a signal indicating that said blower unit is connected to a synthesised power supply.

20 34. A blower unit as claimed in any one of claims 29 to 33 including user controls adapted to allow a user to manually switch said blower unit between said standard operating mode, and said power-saving mode.

25 35. A blower unit as claimed in any one of claims 29 to 34 wherein in said power saving mode, said maximum power rate is between 50W and 100W.

36. A blower unit as claimed in claim 35 wherein said maximum power rate is about 75W.

37. A blower unit for use as part of a breathing assistance system for providing gases to a user at a positive pressure for therapeutic purposes, comprising:

30 an outer casing, which encloses and forms part of said blower unit, said outer casing having an inlet vent or inlet port through which gases can enter said casing in use, and an outlet port adapted for connection to a gases conduit in use so that gases can pass out of said outlet port and into said conduit, said inlet port and said outlet port connected by a gases path within said casing,

a fan unit contained within said casing and located in said gases path, said fan unit adapted to receive said gases entering through said inlet vent and provide a pressurised gases stream to said outlet port,

5 electronic circuitry enclosed within said casing, said electronic circuitry adapted to provide control signals to control the output or outputs of at least said blower unit,

an internal power source contained within said casing and adapted to provide power to at least said fan unit and said electronic circuitry,

said blower unit further adapted to connect to a mains supply to receive power for at least said fan unit and said electronic circuitry,

10 in use, said blower unit drawing power from said mains supply by default if connected to said mains supply, and otherwise drawing power from said internal power source,

said electronic circuitry having a power saving mode where work is done at a maximum power rate below the rate at which said blower unit draws power when connected to said mains supply,

15 said blower unit further comprising user controls adapted to allow a user to switch said electronic circuitry between a normal operating mode where full power is available, and said power-saving mode.

38. A blower unit as claimed in claim 37 wherein said electronic circuitry automatically
20 switches to said power-saving mode when said blower is drawing power from said internal power source, said user controls further adapted to allow a user to switch said blower unit from said power saving mode to said normal operating mode manually when said blower unit is drawing power from said internal power source.

25 39. A blower unit as claimed in claim 37 or claim 38 wherein when said blower is in said power saving mode, said maximum power rate is between 50W and 100W.

40. A blower unit as claimed in claim 39 wherein said maximum power rate is 75W.

30 41. A gases modification unit for providing heated humidified gases to a user, said system using a humidifier chamber of the type which in use contains a volume of water and which has a humidifier gases inlet and a separate humidifier gases outlet, said unit comprising:

an outer casing, which encloses and forms part of said unit, said outer casing having an inlet vent or inlet port through which gases can enter said casing in use,

a patient outlet mounted on said casing and adapted for connection to a gases conduit in use so that gases can pass out of said patient outlet and into said conduit,

an enclosure adapted to in use receive said humidifier chamber, said enclosure having an inlet port adapted to in use align with said humidifier gases inlet,

5 an outlet gases passage, in use said outlet gases passage running between and gaseously connecting said humidifier gases outlet and said patient outlet so that heated humidified gases exiting said humidifier chamber pass into said patient outlet,

said outlet gases passage formed as a separate item to said casing and said enclosure, at least part of said outlet gases passage accessible from within said enclosure and adapted to
10 allow a user to remove and replace said outlet gases passage easily.

42. A gases modification unit as claimed in claim 41 wherein said outlet gases passage has the overall form of a funnel, an inner portion of said outlet gases passage forming a mouth of said funnel, an outer portion of said outlet gases passage forming a stem of said funnel.

15

43. A gases modification unit as claimed in claim 42 wherein said mouth is substantially rectangular.

44. A gases modification unit as claimed in claim 42 or claim 43 wherein said mouth is
20 surrounded by a flange.

45. A gases modification unit as claimed in any one of claims 42 to 44 wherein at least a portion of said stem is wider than a remainder of the stem.

25 46. A blower unit as claimed in claim 45 wherein said wider portion is formed at the outer rim of said stem, said rim having a barbed appearance in cross-section.

47. A gases modification unit as claimed in any one of claims 41 to 46 including a fan unit contained within said casing, said fan unit adapted to receive said gases entering through
30 said inlet vent and provide a pressurised gases stream to said enclosure inlet port.

48. A gases modification unit as claimed in any one of claims 41 to 47 including a heater located in said enclosure, in use said heater contacting the humidifier chamber to heat said volume of water.

49. A gases modification unit for providing heated humidified gases to a user, said system using a humidifier chamber of the type which in use contains a volume of water and which has a humidifier gases inlet and a separate humidifier gases outlet, said blower unit

5 comprising:

an outer casing, which encloses and forms part of said blower unit, said outer casing having an inlet vent or inlet port through which gases can enter said casing in use,

a patient outlet mounted on said casing and adapted for connection to a gases conduit in use so that gases can pass through and out of said patient outlet and into said conduit,

10 an enclosure adapted to in use receive said humidifier chamber, said enclosure having an inlet port adapted to in use align with said humidifier gases inlet,

an outlet gases passage, in use said outlet gases passage running between and gaseously connecting said humidifier gases outlet and said patient outlet so that heated humidified gases exiting said humidifier chamber pass into said patient outlet,

15 said patient outlet removably mounted on said casing.

50. A gases modification unit as claimed in claim 49 wherein said patient outlet is an elbow connector.

20 51. A gases modification unit as claimed in claim 49 or claim 50 wherein said patient outlet is a substantially right-angled elbow connector.

52. A gases modification unit as claimed in any one of claims 49 to 51 wherein said patient outlet is a gases passage having an inner end and an outer end, said inner end adapted
25 to connect to said casing and receive a stream of heated, humidified gases from said integrated blower/humidification system, said outer end adapted to in use connect to a gases conduit,

said patient outlet also having an insulating wall formed around and spaced from at least said inner end so that an airgap is formed between said inner end of said gases passage
30 and said insulating wall.

53. A gases modification unit as claimed in any one of claims 50 to 52 wherein said patient outlet also has a recess formed on the inner side of the bend of the elbow.

54. A gases modification unit as claimed in claim 49 including a fan unit contained within said casing, said fan unit adapted to receive said gases entering through said inlet vent and provide a pressurised gases stream to said enclosure inlet port.
- 5 55. A gases modification unit as claimed in claim 49 including a heater located in said compartment, in use said heater contacting said humidification chamber to heat said volume of water.
- 10 56. A patient connector for use as part of a gases modification unit for providing heated humidified gases to a user, said blower unit of the type that has an outer casing, said patient connector comprising:
a gases passage having an inner end and an outer end, said inner end adapted to connect to said casing and receive a stream of heated, humidified gases from said gases modification unit, said outer end adapted to in use connect to a gases conduit,
15 an insulating wall, formed around and spaced from at least said inner end so that an insulating space is formed between said inner end of said gases passage and said insulating wall.
- 20 57. A gases modification unit as claimed in claim 56 wherein said patient outlet is an elbow connector.
58. A gases modification unit as claimed in claim 56 or claim 57 wherein said patient outlet is a substantially right-angled elbow connector.
- 25 59. A gases modification unit as claimed in claim 57 or claim 58 wherein said patient outlet also has a recess formed on the inner side of the bend of the elbow.
60. A humidifier unit for use with a system for providing humidified gases to a user, comprising:
30 a humidifier chamber adapted to contain a volume of water, said humidifier chamber further having a gases inlet port and a gases outlet port,
an elongate inlet passage extending into said humidifier chamber from said gases inlet port, said inlet passage having at least one primary gases inlet aperture, at or towards that end

of said inlet passage furthest from said gases inlet, to allow gases to pass out of said inlet passage and into said humidifier chamber,

an elongate exit passage extending into said humidifier chamber from said gases outlet port, said passage having at least one and preferably two primary gases exit apertures, at or
5 towards that end of said exit passage furthest from said gases outlet, to allow gases to pass out of said humidifier chamber and into said exit passage,

said primary gases inlet aperture formed in the side of said inlet passage.

61. A humidifier unit as claimed in claim 60 wherein said primary gases exit aperture or
10 apertures are formed in the side or sides of said exit passage.

62. A humidifier unit as claimed in claim 60 or claim 61 wherein said elongate inlet
passage also has an inlet recess formed in the lower part of said inlet passage, and at least one
and preferably a plurality of secondary inlet apertures are formed in said recess to allow gases
15 to pass out of said inlet passage and into said humidifier chamber.

63. A humidifier unit as claimed in any one of claims 60 to 62 wherein said elongate exit
passage also has an exit recess formed in the lower part of said inlet passage, and at least one
and preferably a plurality of secondary exit apertures are formed in said recess to allow gases
20 to pass out of said humidifier chamber and into said exit passage.

64. A humidifier unit as claimed in any one of claims 60 to 63 wherein said exit passage
and said entry passage are aligned at an angle to one another.

25 65. A humidifier chamber as claimed in any one of claims 60 to 64 wherein said primary
gases inlet aperture is formed in that side of said inlet passage which is furthest from said exit
passage.

66. A humidifier chamber as claimed in any one of claims 60 to 65 wherein said chamber
30 also has at least one and preferably a plurality of buttress ribs spanning between the wall of
said humidifier chamber and a position at or close to the inner end of at least one of said exit
passage or said entry passage.

67. A humidifier chamber as claimed in claim 66 wherein said buttress rib or ribs are located at or towards the top of said chamber.

5 68. A humidifier unit as claimed in any one of claims 60 to 67 wherein said chamber appears substantially circular in plan view.

69. A humidifier chamber as claimed in claim 68 wherein said exit passage, said entry passage and said buttress ribs are arranged radially and connect at the centre of said chamber, the inner ends of said exit passage and said entry passage blocked by a dividing wall.
10

70. A humidifier chamber as claimed in any one of claims 60 to 69 wherein said chamber further has a baffle which extends downwards between said entry passage and said exit passage.

15 71. A humidifier unit as claimed in any one of claims 60 to 70 wherein said humidifier chamber is open-topped, and said humidifier unit also has a separate lid unit, adapted to close and seal said open top of said humidifier chamber in use.

20 72. A humidifier unit as claimed in claim 71 wherein said lid unit comprises a separate lid portion and a handle portion, said handle portion releasably connecting to said lid portion in such a manner that said handle can freely rotate while connected to said lid portion, said lid portion adapted to seal on said open top of said humidifier chamber.

25 73. A humidifier unit as claimed in any one of claims 60 to 65 wherein said inlet passage and said exit passage are structurally connected but fluidically disconnected.

74. A humidifier unit for use with a system for providing humidified gases to a user, comprising:

30 a humidifier chamber adapted to contain a volume of water, said humidifier chamber further having a gases inlet port and a gases outlet port,

an elongate inlet passage extending into said humidifier chamber from said gases inlet port, said inlet passage having at least one primary gases inlet aperture, at or towards that end of said inlet passage furthest from said gases inlet, to allow gases to pass out of said inlet passage and into said humidifier chamber,

an elongate exit passage extending into said humidifier chamber from said gases outlet port, said passage having at least one and preferably two primary gases exit apertures, at or towards that end of said exit passage furthest from said gases outlet, to allow gases to pass out of said humidifier chamber and into said exit passage,

5 at least one of said primary gases exit apertures formed in the side of said exit passage.

75. A humidifier unit as claimed in claim 74 wherein said primary gases inlet aperture is formed in the side of said inlet passage.

10 76. A humidifier unit as claimed in claim 74 or claim 75 wherein said elongate inlet passage also has an inlet recess formed in the lower part of said inlet passage, and at least one and preferably a plurality of secondary inlet apertures are formed in said recess to allow gases to pass out of said inlet passage and into said humidifier chamber.

15 77. A humidifier unit as claimed in any one of claims 74 to 76 wherein said elongate exit passage also has an exit recess formed in the lower part of said exit passage, and at least one and preferably a plurality of secondary exit apertures are formed in said exit recess to allow gases to pass out of said humidifier chamber and into said exit passage.

20 78. A humidifier unit as claimed in any one of claims 74 to 77 wherein said exit passage and said entry passage are aligned at an angle to one another.

25 79. A humidifier chamber as claimed in any one of claims 74 to 78 wherein said primary gases inlet aperture is formed in that side of said inlet passage which is furthest from said exit passage.

30 80. A humidifier chamber as claimed in any one of claims 74 to 79 wherein said chamber also has at least one and preferably a plurality of buttress ribs spanning between the wall of said humidifier chamber and a position at or close to the inner end of at least one of said exit passage or said entry passage.

81. A humidifier chamber as claimed in claim 80 wherein said buttress rib or ribs are located at or towards the top of said chamber.

82. A humidifier unit as claimed in any one of claims 74 to 81 wherein said chamber appears substantially circular in plan view.

83. A humidifier chamber as claimed in claim 82 wherein said exit passage, said entry passage and said buttress ribs are arranged radially and connect at the centre of said chamber, the inner ends of said exit passage and said entry passage blocked by a dividing wall.

84. A humidifier chamber as claimed in any one of claims 74 to 83 wherein said chamber further has a baffle which extends downwards between said entry passage and said exit passage.

85. A humidifier unit as claimed in any one of claims 74 to 84 wherein said humidifier chamber is open-topped, and said humidifier unit also has a separate lid unit, adapted to close and seal said open top of said humidifier chamber in use.

86. A humidifier unit as claimed in claim 85 wherein said lid unit comprises a separate lid portion and a handle portion, said handle portion releasably connecting to said lid portion in such a manner that said handle can freely rotate while connected to said lid portion, said lid portion adapted to seal on said open top of said humidifier chamber.

87. A humidifier unit as claimed in any one of claims 74 to 79 wherein said inlet passage and said exit passage are structurally connected but fluidically disconnected.

88. A humidifier unit for use with a system for providing humidified gases to a user, comprising:

a humidifier chamber adapted to contain a volume of water, said humidifier chamber further having a gases inlet port and a gases outlet port,

an inlet passage extending into said humidifier chamber from said gases inlet port,

an exit passage extending into said humidifier chamber from said gases outlet port,

at least one of said passages having a recess formed in the lower part of said passage or passages, at least one and preferably a plurality of apertures formed in said recess to allow gases to pass between said passage and said chamber.

89. A humidifier unit as claimed in claim 88 wherein said inlet passage is an elongate passage extending into said humidifier chamber from said gases inlet port, said recess formed in said inlet passage, said at least one and preferably a plurality of apertures being secondary gases inlet apertures, said inlet passage also having at least one primary gases inlet aperture, at
5 or towards that end of said inlet passage furthest from said gases inlet, to allow gases to pass out of said inlet passage and into said humidifier chamber.

90. A humidifier unit as claimed in claim 89 wherein said exit passage is an elongate exit passage extending into said humidifier chamber from said gases outlet port, said passage
10 having at least one and preferably two primary gases exit apertures, at or towards that end of said exit passage furthest from said gases outlet, to allow gases to pass out of said humidifier chamber and into said exit passage.

91. A humidifier unit as claimed in claim 88 wherein said exit passage is an elongate
15 passage extending into said humidifier chamber from said gases exit port, an exit recess formed in said exit passage, said at least one and preferably a plurality of apertures being secondary gases exit apertures, said exit passage also having at least one primary gases exit aperture, at or towards that end of said exit passage furthest from said gases exit port, to allow
20 gases to pass out of said humidifier chamber and into said exit passage.

92. A humidifier unit as claimed in claim 91 wherein said inlet passage is an elongate
25 passage extending into said humidifier chamber from said gases inlet port, said passage having at least one gases inlet aperture, at or towards that end of said inlet passage furthest from said gases inlet port, to allow gases to pass into said humidifier chamber from said inlet passage.

93. A humidifier unit as claimed in any one of claims 89 to 91 wherein said primary gases inlet aperture is formed in the side of said inlet passage.

94. A humidifier unit as claimed in any one of claims 89 to 93 wherein said primary gases exit aperture or apertures are formed in the side or sides of said exit passage.

95. A humidifier unit as claimed in any one of claims 89 to 94 wherein said elongate exit passage also has an exit recess formed in the lower part of said exit passage, and at least one

and preferably a plurality of secondary exit apertures are formed in said exit recess to allow gases to pass out of said humidifier chamber and into said exit passage.

5 96. A humidifier unit as claimed in any one of claims 89 to 95 wherein said exit passage and said entry passage are aligned at an angle to one another.

97. A humidifier chamber as claimed in any one of claims 89 to 96 wherein said primary gases inlet aperture is formed in that side of said inlet passage which is furthest from said exit passage.

10

98. A humidifier chamber as claimed in any one of claims 89 to 97 wherein said chamber also has at least one and preferably a plurality of buttress ribs spanning between the wall of said humidifier chamber and a position at or close to the inner end of at least one of said exit passage or said entry passage.

15

99. A humidifier chamber as claimed in claim 98 wherein said buttress rib or ribs are located at or towards the top of said chamber.

20

100. A humidifier unit as claimed in any one of claims 89 to 99 wherein said chamber appears substantially circular in plan view.

25

101. A humidifier chamber as claimed in claim 100 wherein said exit passage, said entry passage and said buttress ribs are arranged radially and connect at the centre of said chamber, the inner ends of said exit passage and said entry passage blocked by a dividing wall.

30

102. A humidifier chamber as claimed in any one of claims 89 to 101 wherein said chamber further has a baffle which extends downwards between said entry passage and said exit passage.

103. A humidifier unit as claimed in any one of claims 89 to 102 wherein said humidifier chamber is open-topped, and said humidifier unit also has a separate lid unit, adapted to close and seal said open top of said humidifier chamber in use.

104. A humidifier unit as claimed in claim 103 wherein said lid unit comprises a separate lid portion and a handle portion, said handle portion releasably connecting to said lid portion in such a manner that said handle can freely rotate while connected to said lid portion, said lid portion adapted to seal on said open top of said humidifier chamber.

5

105. A humidifier unit for use with a system for providing humidified gases to a user, comprising:

a humidifier chamber adapted to contain a volume of water, said humidifier chamber further having a gases inlet port and a gases outlet port,

10

an elongate inlet passage extending into said humidifier chamber from said gases inlet port, said inlet passage having at least one gases inlet aperture, at or towards that end of said inlet passage furthest from said gases inlet, to allow gases to pass out of said inlet passage and into said humidifier chamber,

15

an elongate exit passage extending into said humidifier chamber from said gases outlet port, said passage having at least one gases exit apertures, at or towards that end of said exit passage furthest from said gases outlet, to allow gases to pass out of said humidifier chamber and into said exit passage,

20

said chamber also has at least one and preferably a plurality of buttress ribs spanning between the wall of said humidifier chamber and a position at or close to the inner end of at least one of said exit passage or said entry passage.

106. A humidifier chamber as claimed in claim 105 wherein said buttress rib or ribs are located at or towards the top of said chamber.

25

107. A humidifier chamber as claimed in claim 105 or claim 106 wherein at least one of said passages has a recess formed in the lower part of said passage or passages, at least one and preferably a plurality of apertures formed in said recess or recesses to allow gases to pass between said passage and said chamber.

30

108. A humidifier unit as claimed in claim 107 wherein said inlet passage is an elongate passage extending into said humidifier chamber from said gases inlet port, said recess formed in said inlet passage, said at least one aperture being secondary gases inlet apertures, said inlet passage also having at least one primary gases inlet aperture, at or towards that end of said

inlet passage furthest from said gases inlet, to allow gases to pass out of said inlet passage and into said humidifier chamber.

109. A humidifier unit as claimed in claim 107 or claim 108 wherein said exit passage is an elongate exit passage extending into said humidifier chamber from said gases outlet port, said passage having at least one and preferably two primary gases exit apertures, at or towards that end of said exit passage furthest from said gases outlet, to allow gases to pass out of said humidifier chamber and into said exit passage.
110. A humidifier unit as claimed in claim 109 wherein an exit recess is formed in said exit passage, at least one and preferably a plurality of secondary gases exit apertures formed in said recess, to allow gases to pass out of said humidifier chamber and into said exit passage.
111. A humidifier unit as claimed in any one of claims 108 to 110 wherein said primary gases inlet aperture is formed in the side of said inlet passage.
112. A humidifier unit as claimed in any one of claims 109 to 111 wherein said primary gases exit aperture or apertures are formed in the side or sides of said exit passage.
113. A humidifier unit as claimed in any one of claims 105 to 112 wherein said exit passage and said entry passage are aligned at an angle to one another.
114. A humidifier chamber as claimed in claim 113 wherein said primary gases inlet aperture is formed in that side of said inlet passage which is furthest from said exit passage.
115. A humidifier unit as claimed in any one of claims 105 to 114 wherein said chamber appears substantially circular in plan view.
116. A humidifier chamber as claimed in any one of claims 105 to 115 wherein said chamber further has a baffle which extends downwards between said entry passage and said exit passage.

117. A humidifier unit as claimed in any one of claims 105 to 116 wherein said humidifier chamber is open-topped, and said humidifier unit also has a separate lid unit, adapted to close and seal said open top of said humidifier chamber in use.

5 118. A humidifier unit as claimed in claim 117 wherein said lid unit comprises a separate lid portion and a handle portion, said handle portion releasably connecting to said lid portion in such a manner that said handle can freely rotate while connected to said lid portion, said lid portion adapted to seal on said open top of said humidifier chamber.

10 119. A humidifier unit for use with a system for providing humidified gases to a user, comprising:

a humidifier chamber adapted to contain a volume of water,

an inlet passage having a gases inlet port adapted to receive gases from a gases source in use, and at least one gases inlet aperture adapted to allow gases to pass out of said inlet passage and into said humidifier chamber,

15 an exit passage having a gases outlet port adapted to allow said heated humidified gases to exit said chamber, and at least one gases exit aperture adapted to allow gases to pass out of said humidifier chamber and into said exit passage,

20 in plan view, said gases inlet aperture and said gases exit aperture located at or close to the centre of said chamber, and said gases outlet port and said gases inlet port are located inside the perimeter of said chamber.

120. A humidifier unit as claimed in claim 119 wherein said gases outlet port and said gases inlet port are located at or close to close to the centre of said chamber.

25

121. A humidifier unit as claimed in claim 120 wherein said gases outlet port is located between said perimeter and said gases exit aperture, and said gases inlet port is located between said perimeter and said at least one gases inlet aperture.

30 122. A humidifier unit as claimed in any one of claims 119 to 121 wherein said humidifier unit also has at least one and preferably a plurality of buttress ribs spanning between the wall of said humidifier chamber and said inlet passage and said exit passage, said inlet passage and said exit passage unconnected to said chamber except via said ribs.

123. A humidifier chamber as claimed in claim 122 wherein said buttress rib or ribs and said passages are located at or towards the top of said chamber.

124. A humidifier chamber as claimed in claim 122 or claim 123 wherein said chamber appears substantially circular in plan view, said passages extending radially towards the perimeter of said chamber, said passages structurally connected at the centre of said chamber but gaseously or fluidically unconnected.

125. A humidifier chamber as claimed in any one of claims 122 to 124 wherein said buttress rib or ribs extend radially from said passages to the perimeter of said chamber.

126. A humidifier chamber as claimed in any one of claims 120 to 125 wherein said gases outlet port is aligned substantially horizontally.

127. A humidifier chamber as claimed in any one of claims 120 to 125 wherein said gases outlet port is aligned facing upwards substantially vertically.

128. A humidifier chamber as claimed in any one of claims 120 to 127 wherein said gases inlet port is aligned substantially horizontally.

129. A humidifier chamber as claimed in any one of claims 120 to 127 wherein said gases inlet port is aligned facing upwards substantially vertically.

130. A humidifier unit as claimed in any one of claims 120 to 129 wherein said inlet passage is an elongate passage having at least one primary gases inlet aperture, at or towards that end of said inlet passage furthest from said gases inlet, formed in the side of said inlet passage, to allow gases to pass out of said inlet passage and into said humidifier chamber.

131. A humidifier unit as claimed in any one of claims 120 to 130 wherein said exit passage is an elongate exit passage having at least one and preferably two primary gases exit apertures, at or towards that end of said exit passage furthest from said gases outlet, formed in the side or sides of said exit passage to allow gases to pass out of said humidifier chamber and into said exit passage.

132. A humidifier chamber as claimed in any one of claims 120 to 131 wherein at least one of said passages also has a recess formed in the lower part of said passage or passages, at least one and preferably a plurality of secondary apertures formed in said recess or recesses to allow gases to pass between said passage and said chamber.

5

133. A humidifier unit as claimed in any one of claims 120 to 132 wherein said exit passage and said entry passage are aligned at an angle to one another.

10

134. A humidifier chamber as claimed in claim 133 wherein said primary gases inlet aperture is formed in that side of said inlet passage which is furthest from said exit passage.

135. A humidifier chamber as claimed in any one of claims 120 to 134 wherein said chamber further has a baffle which extends downwards between said entry passage and said exit passage.

15

136. A humidifier unit as claimed in any one of claims 120 to 135 wherein said humidifier chamber is open-topped, and said humidifier unit also has a separate lid unit, adapted to close and seal said open top of said humidifier chamber in use.

20

137. A humidifier unit as claimed in claim 136 wherein said lid unit comprises a separate lid portion and a handle portion, said handle portion releasably connecting to said lid portion in such a manner that said handle can freely rotate while connected to said lid portion, said lid portion adapted to seal on said open top of said humidifier chamber.

25

138. A gases modification unit for use as part of a breathing assistance system for providing gases to a user at a positive pressure for therapeutic purposes, comprising:

an outer casing having an inlet vent or inlet port through which gases can enter said casing in use, and an outlet port adapted for connection to a gases conduit in use so that gases can pass out of said outlet port and into said conduit, said inlet port and said outlet port

30

connected by a gases path within said casing,

electronic circuitry enclosed within said casing, said electronic circuitry adapted to provide control signals to control modification of properties of the gases passing through the gases path,

a set of user controls adapted to allow a user to adjust operating parameters of the electronic circuitry,

a user display, adapted to display a control menu which has a number of control and display options,

5 said electronic circuitry adapted to selectively not respond to manipulations of the user controls.

139. A gases modification unit as claimed in claim 138 wherein the electronic circuitry will stop responding to manipulations of the user controls after a predetermined period of time
10 without manipulation of the controls.

140. A gases modification unit as claimed in claim 138 wherein the electronic circuitry will stop responding to manipulations of the user controls after a predetermined period of time
15 without manipulation of the controls, when in one or more predetermined operating modes.

141. A gases modification unit as claimed in claim 138 wherein the electronic circuitry will stop responding to manipulations of the user controls after a predetermined period of time
20 without manipulation of the controls, but will still respond when in one or more predetermined operating modes.

142. A gases modification unit as claimed in any one of claims 138 to 141 including a fan unit contained within said casing and located in said gases path, said fan unit adapted to receive said gases entering through said inlet vent and provide a pressurised gases stream to
25 said outlet port.

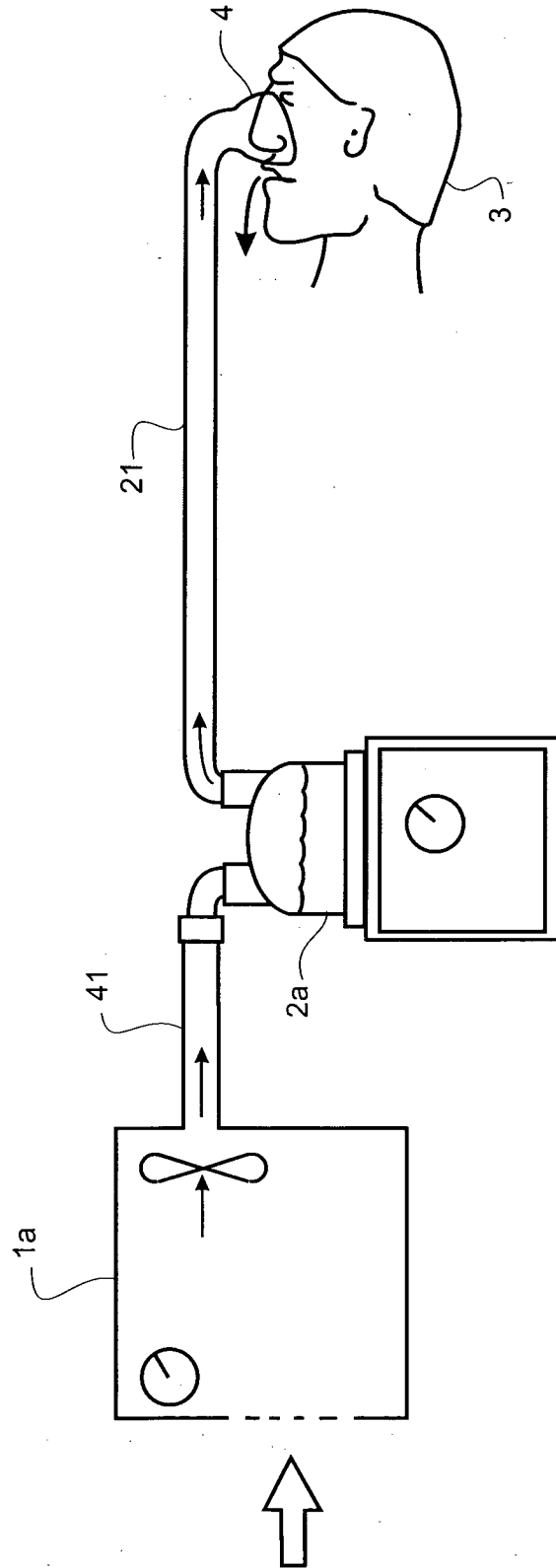


FIGURE 1

2/16

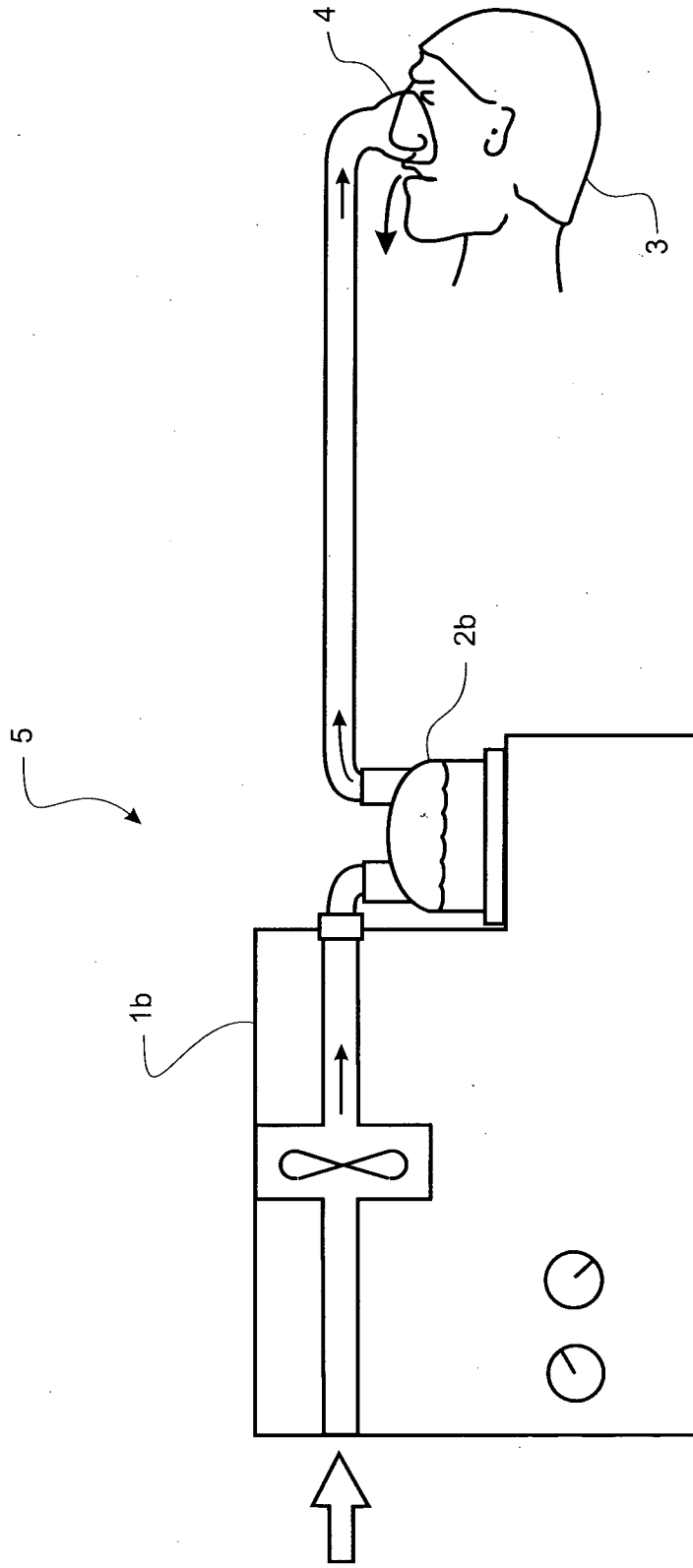


FIGURE 2

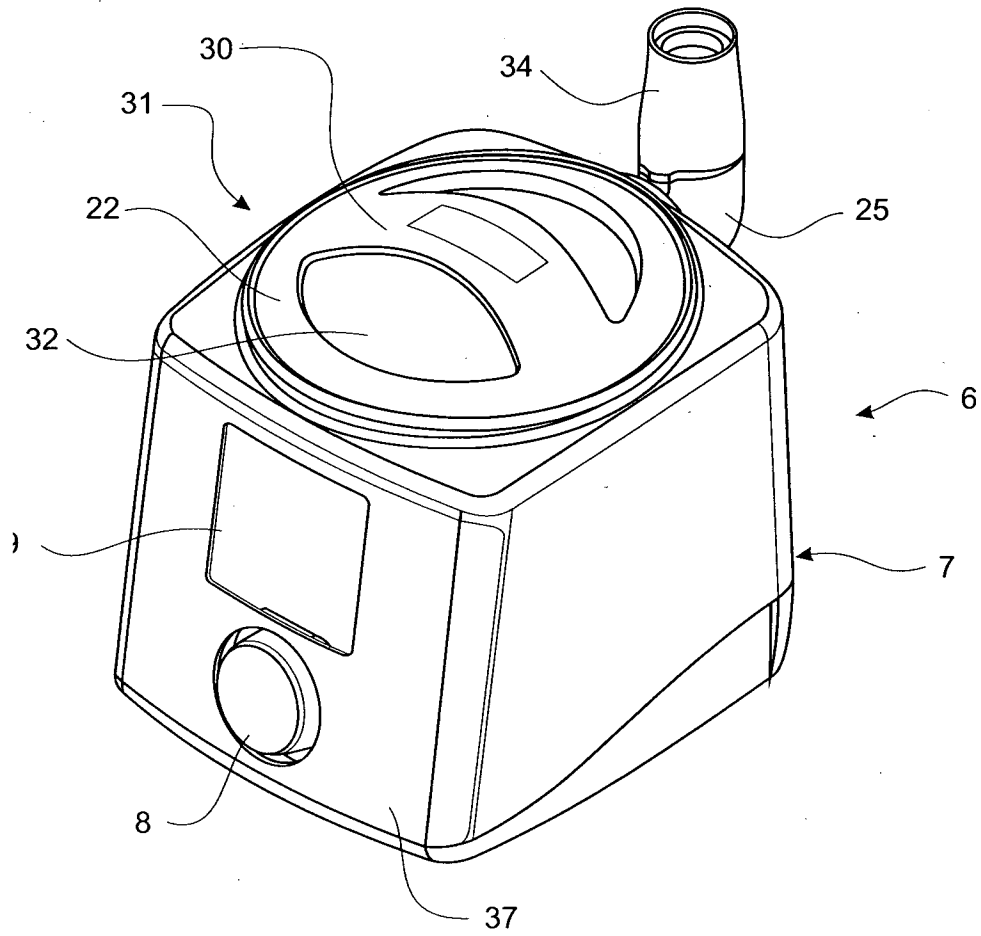


FIGURE 3

4/16

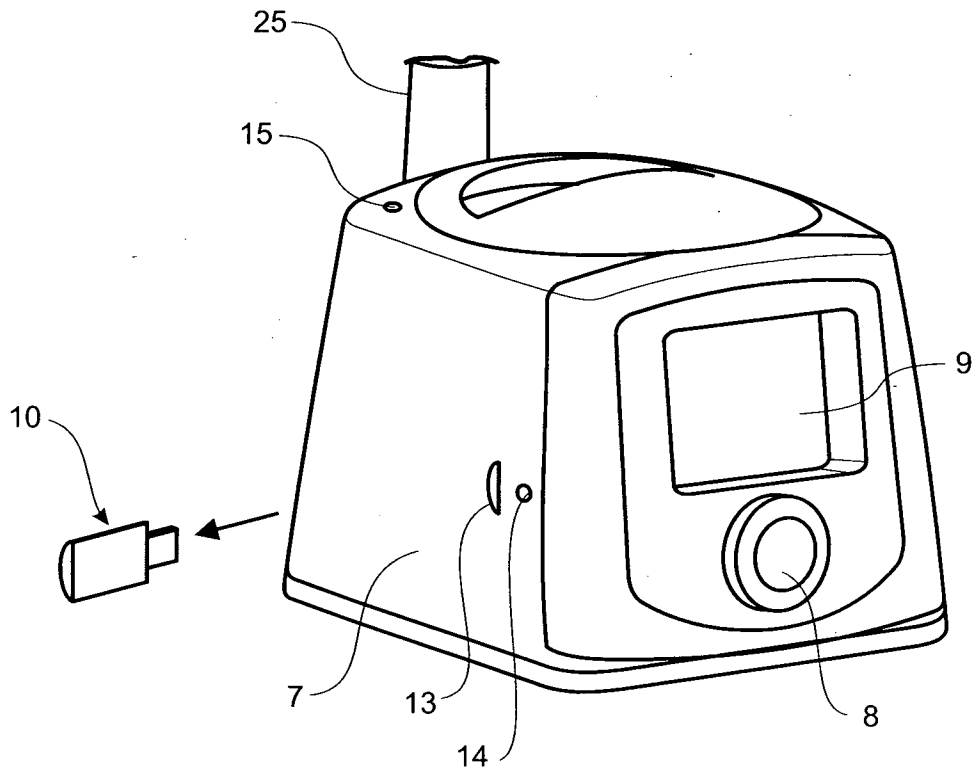
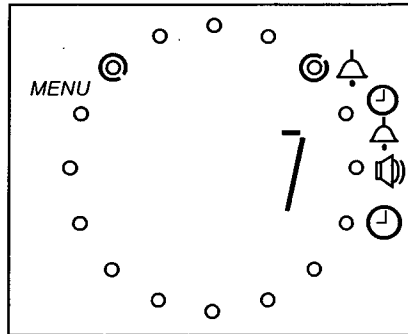
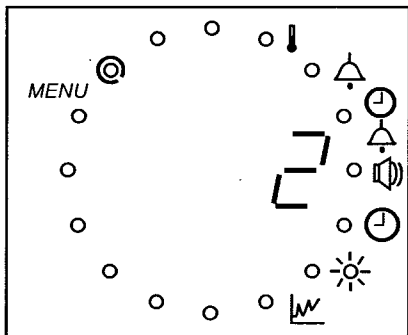


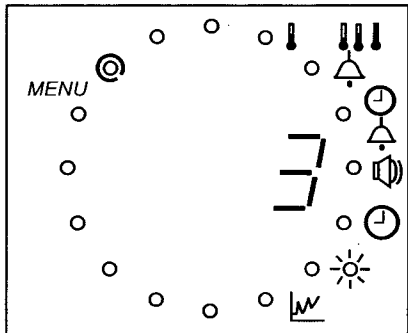
FIGURE 4



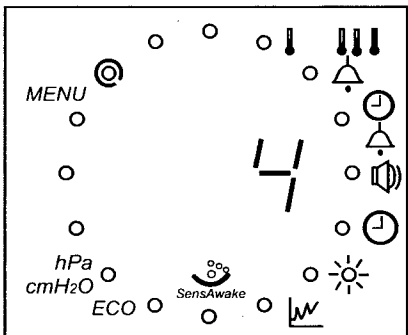
a.



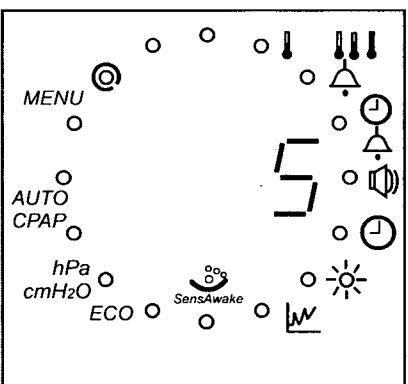
b.



c.



d.



e.

FIGURE 5

6/16

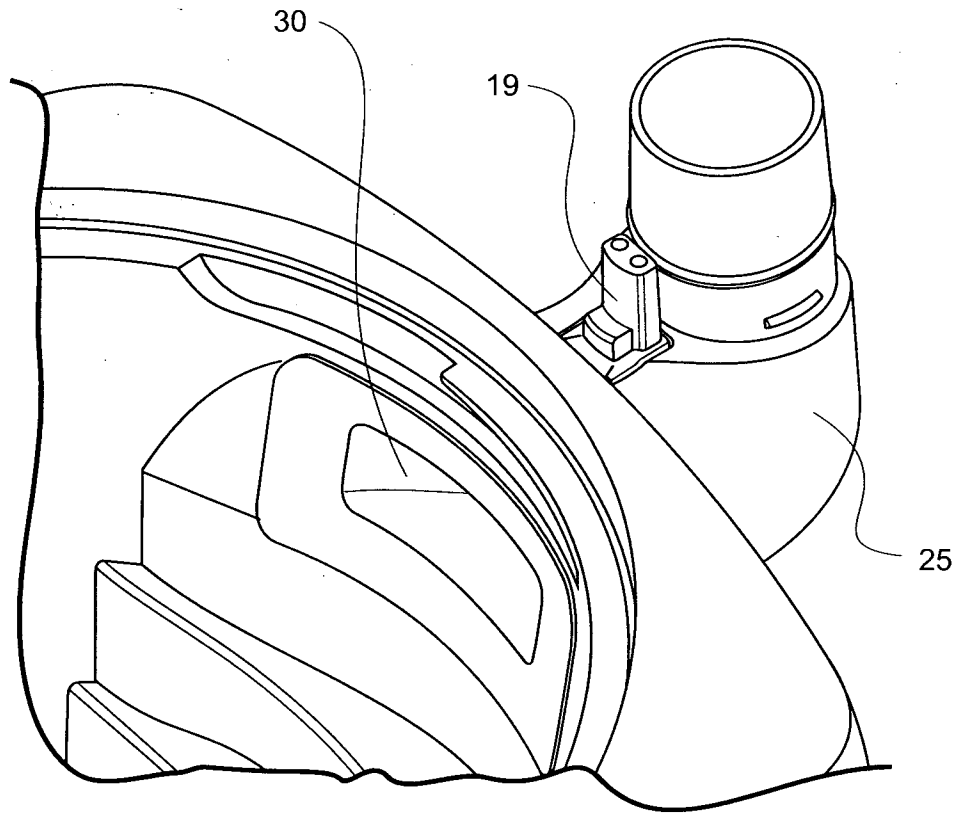


FIGURE 6

7/16

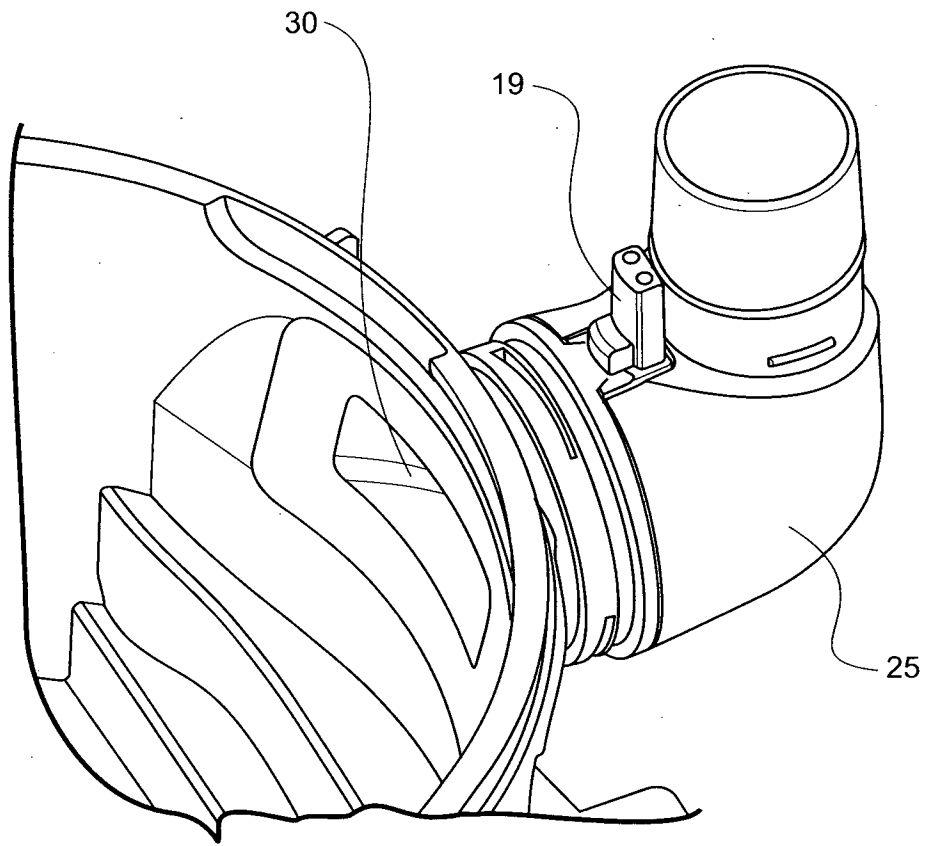


FIGURE 7

8/16

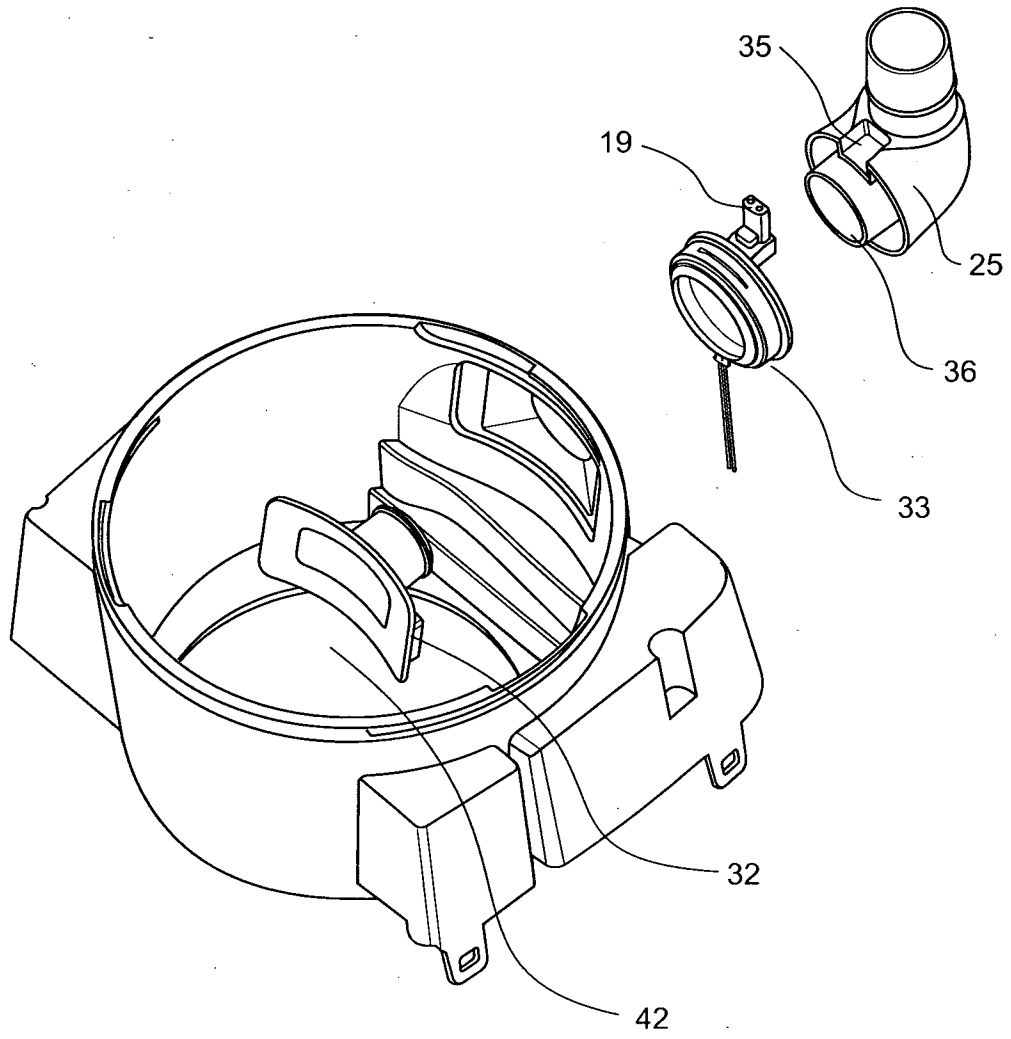


FIGURE 8

9/16

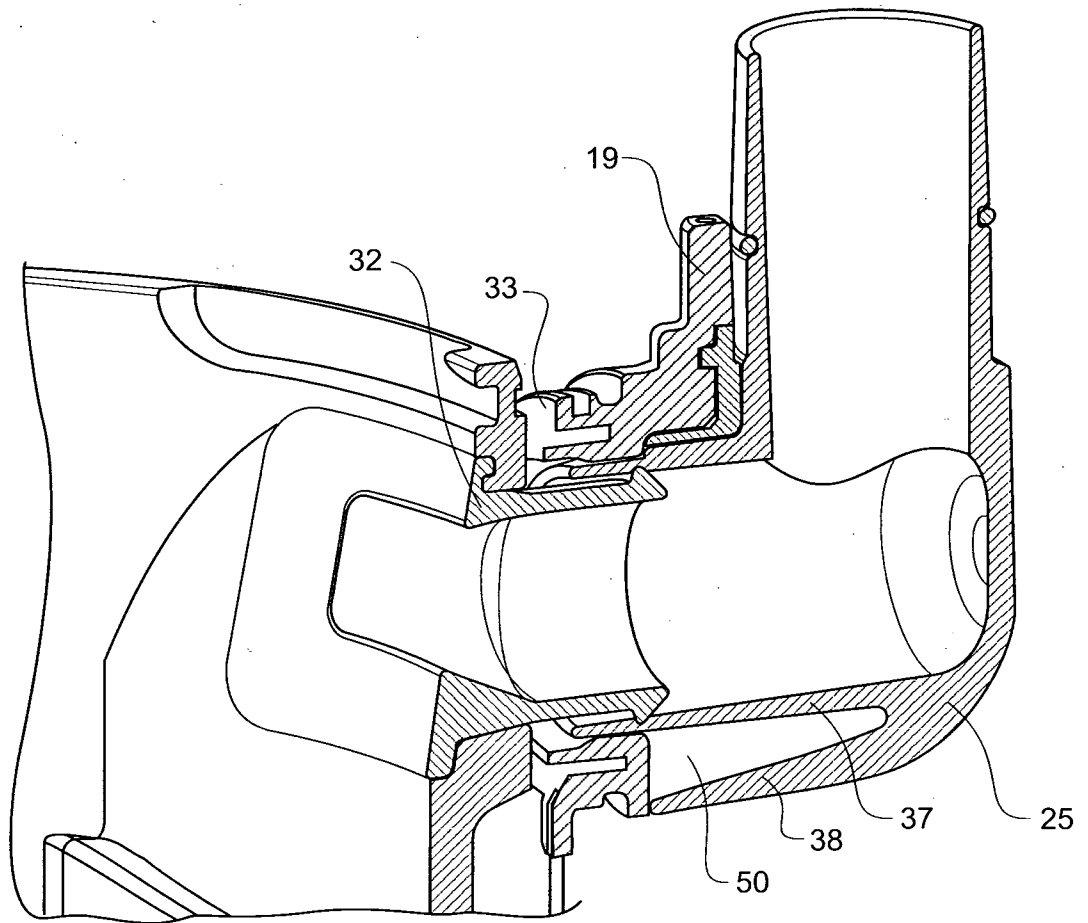


FIGURE 9

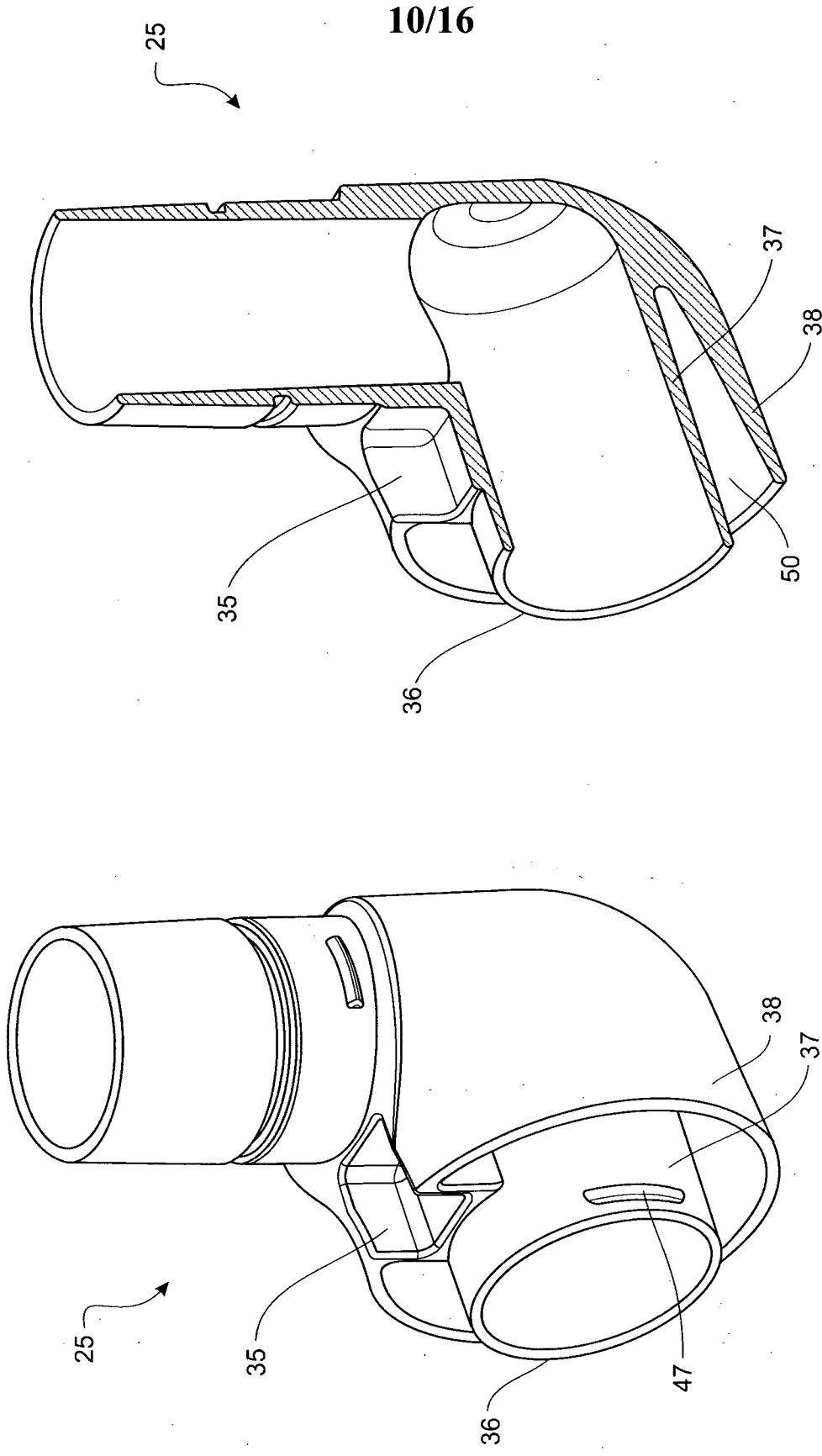


FIGURE 10b

FIGURE 10a

11/16

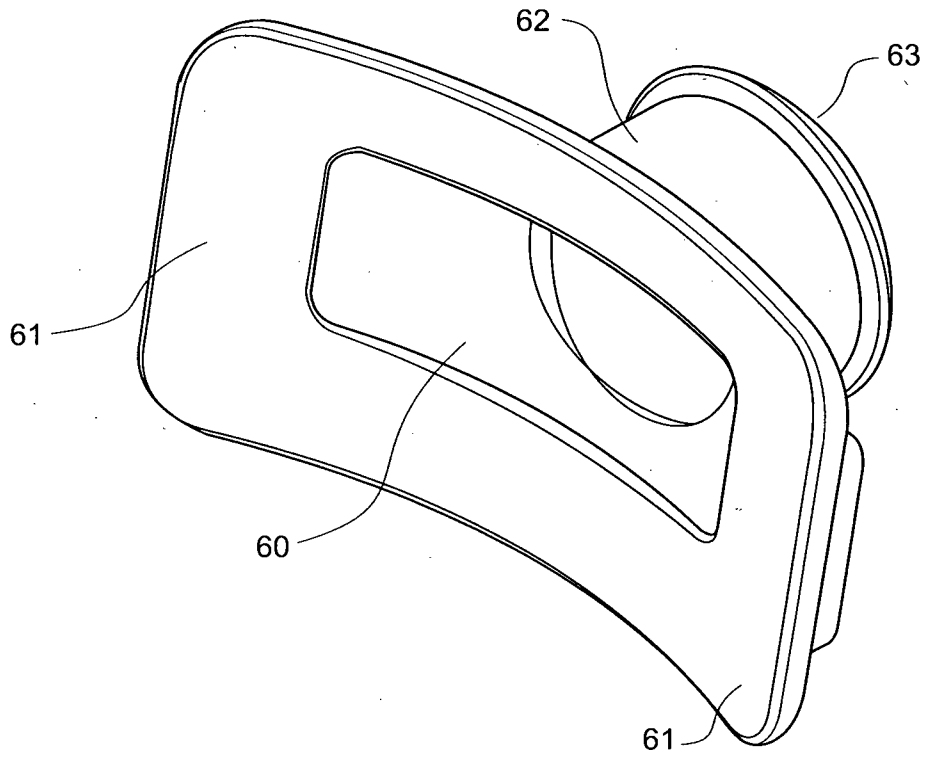


FIGURE 11a

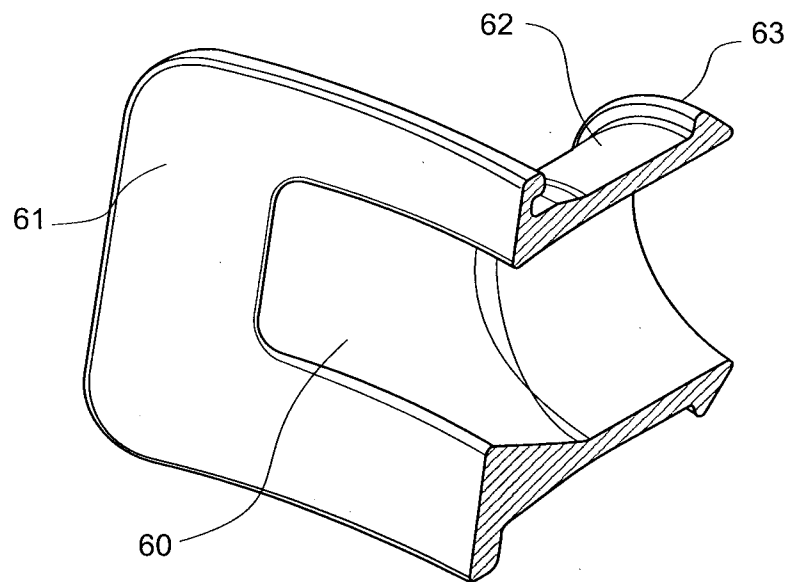


FIGURE 11b

12/16

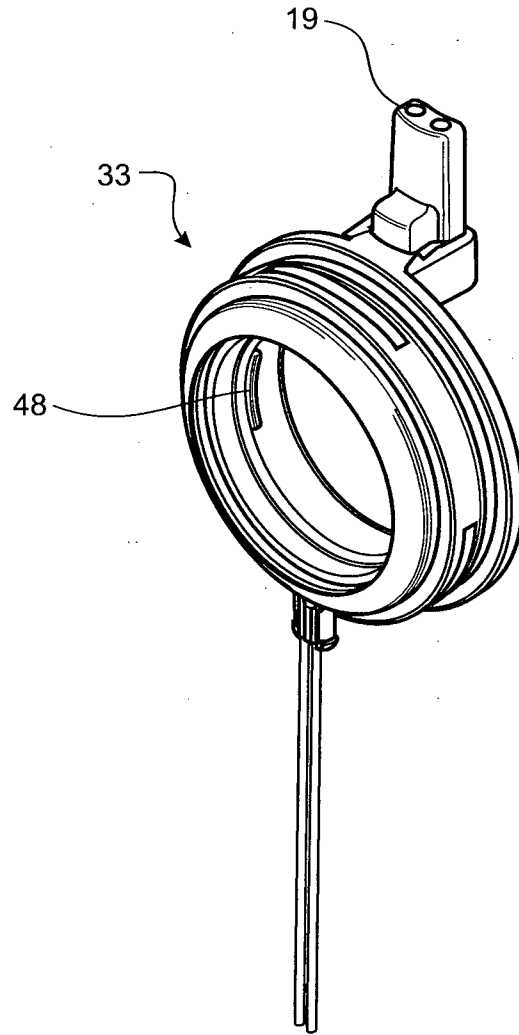


FIGURE 12

13/16

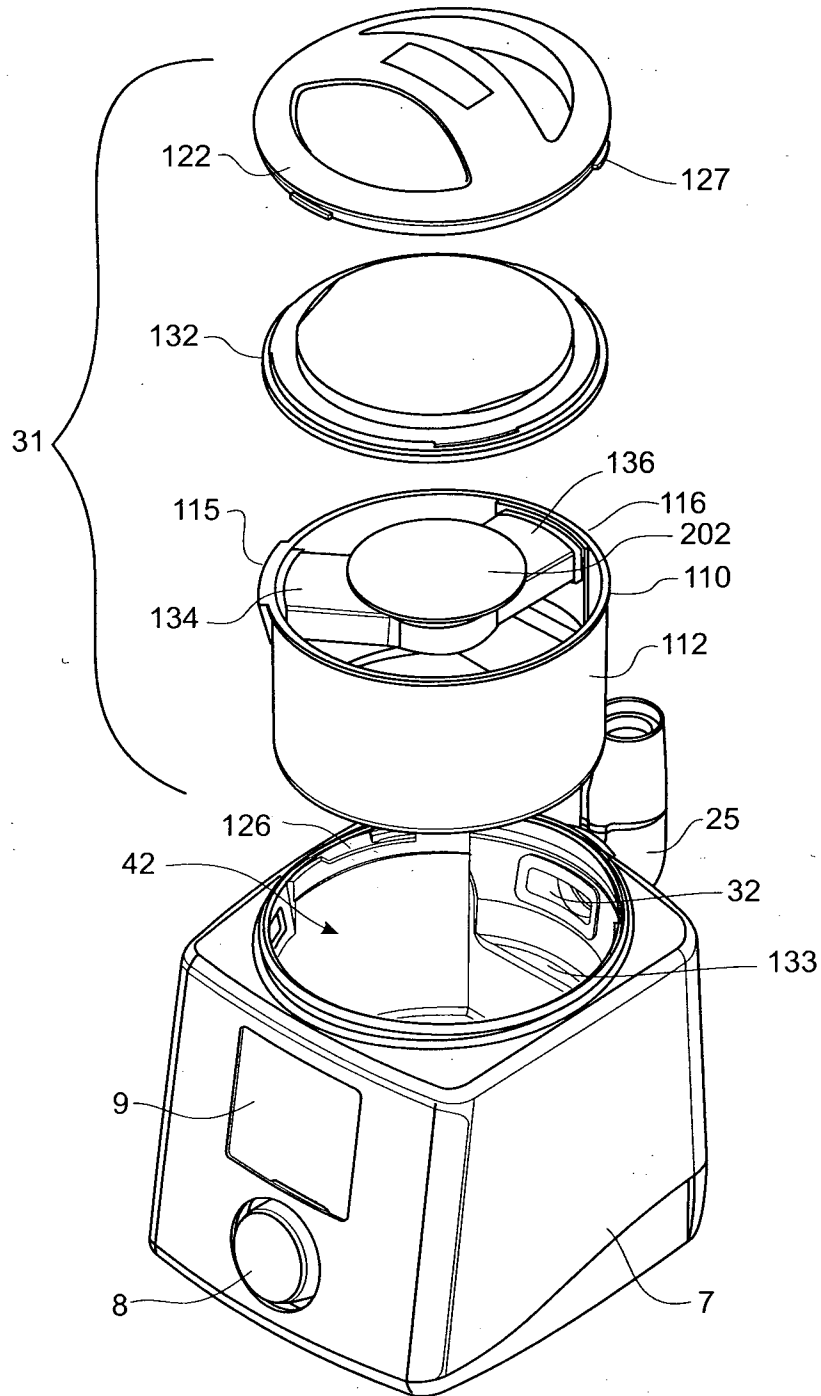


FIGURE 13

14/16

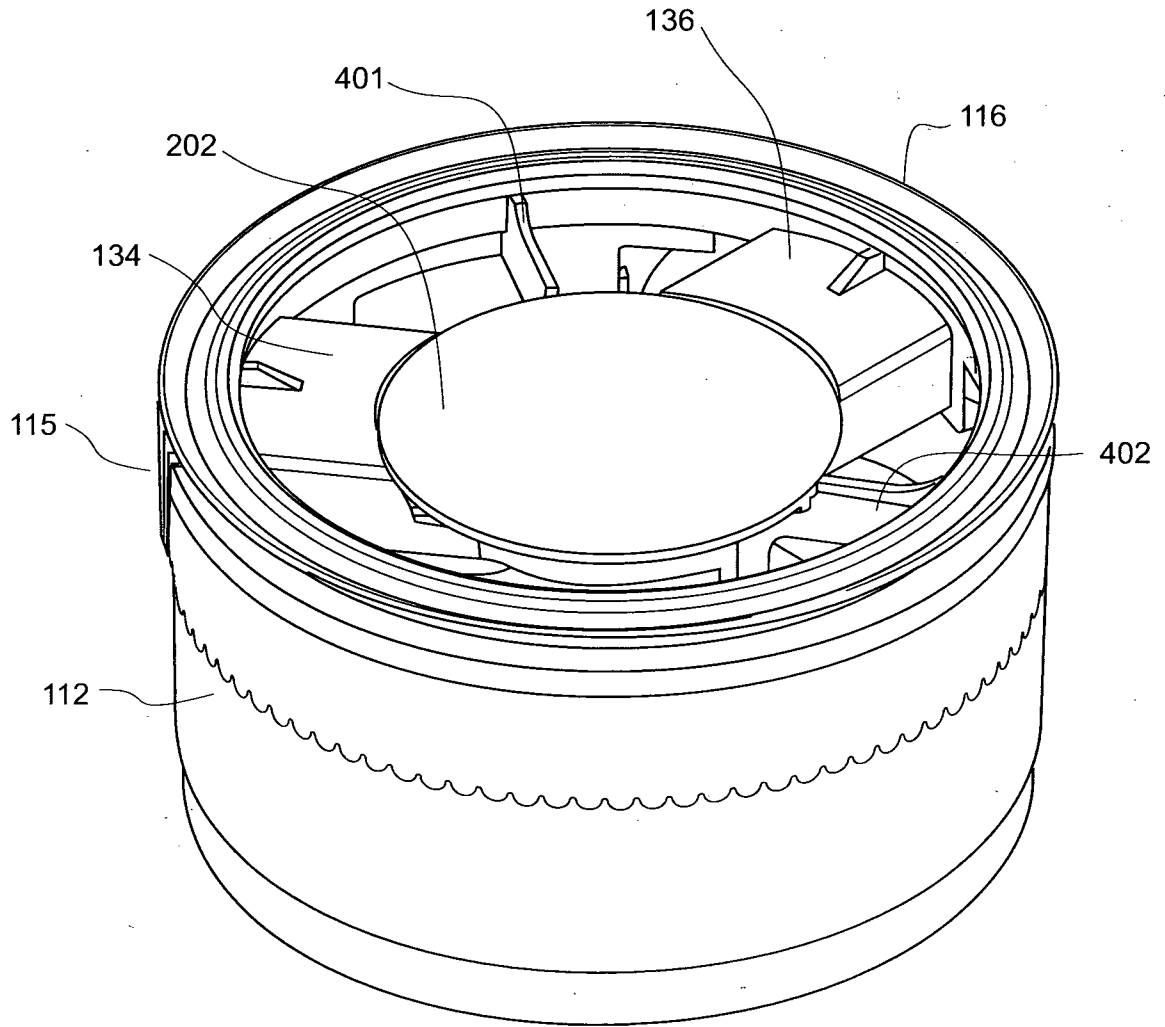


FIGURE 14

15/16

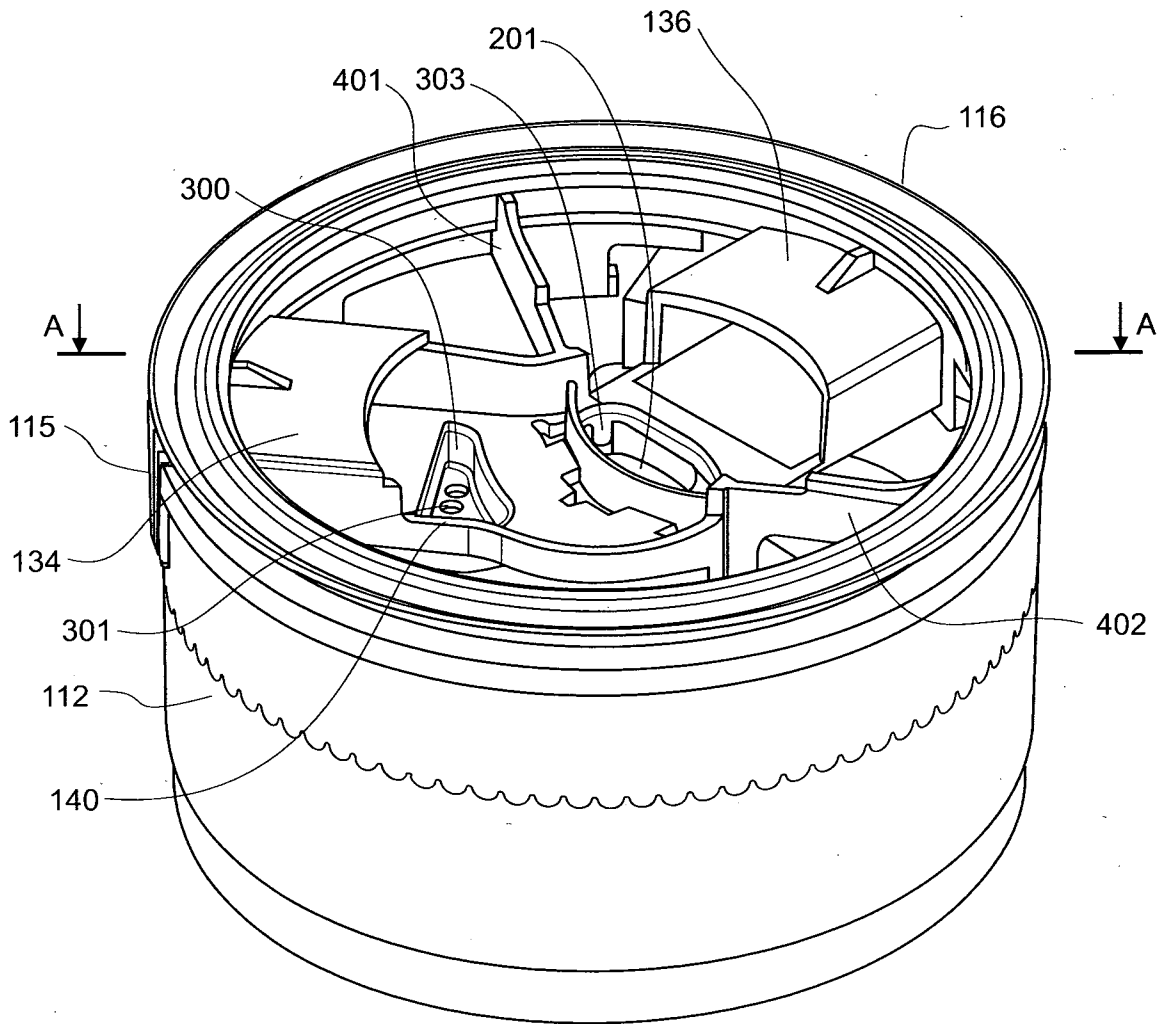


FIGURE 15

16/16

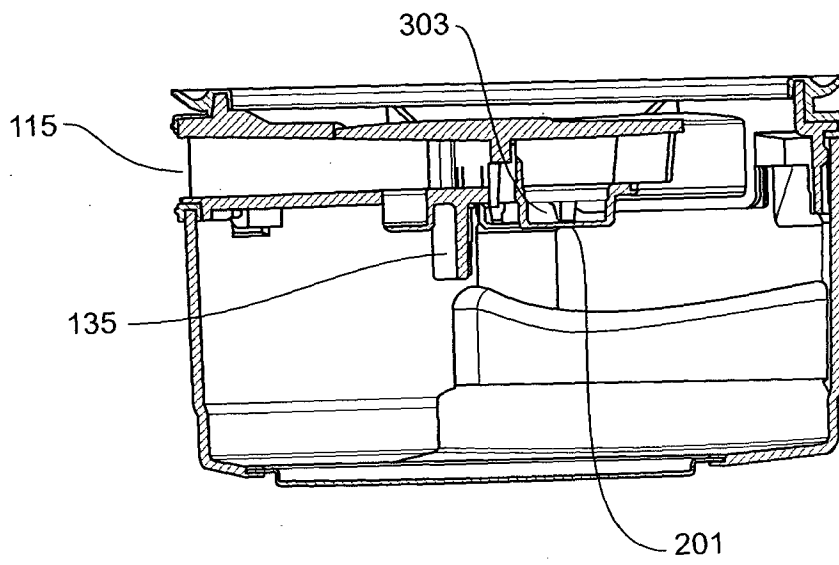


FIGURE 16

INTERNATIONAL SEARCH REPORT

International application No.

PCT/NZ2010/000201

A. CLASSIFICATION OF SUBJECT MATTER		
Int. Cl.		
A61M 16/00 (2006.01) A61M 16/16 (2006.01)		
According to International Patent Classification (IPC) or to both national classification and IPC		
B. FIELDS SEARCHED		
Minimum documentation searched (classification system followed by classification symbols)		
Documentation searched other than minimum documentation to the extent that such documents are included in the fields searched		
Electronic data base consulted during the international search (name of data base and, where practicable, search terms used) WPI and EPODOC and A61M 16/- and A62B and keywords: display, peripheral, connect, hide, options, power, save, remove, outlet and similar terms.		
C. DOCUMENTS CONSIDERED TO BE RELEVANT		
Category*	Citation of document, with indication, where appropriate, of the relevant passages	Relevant to claim No.
X	US 5927274 A (SERVIDIO et al.) 27 July 1999 Column 4 line 46 to column 10 line 28	1-4
X	US 2003/0062045 A1 (WOODRING et al.) 3 April 2003 Paragraphs 53, 55 and 69 to 71	1-5
X	US 2004/0016433 A1 (ESTES et al.) 29 January 2004 Figures 1 and 4, paragraph 110	1,2
X	EP 788805 A2 (DeVILBISS HEALTH CARE, INC.) 13 August 1997 Column 10 line 31 to column 11 line 8	1-5
<input checked="" type="checkbox"/> Further documents are listed in the continuation of Box C <input checked="" type="checkbox"/> See patent family annex		
* Special categories of cited documents:		
"A"	document defining the general state of the art which is not considered to be of particular relevance	"T" later document published after the international filing date or priority date and not in conflict with the application but cited to understand the principle or theory underlying the invention
"E"	earlier application or patent but published on or after the international filing date	"X" document of particular relevance; the claimed invention cannot be considered novel or cannot be considered to involve an inventive step when the document is taken alone
"L"	document which may throw doubts on priority claim(s) or which is cited to establish the publication date of another citation or other special reason (as specified)	"Y" document of particular relevance; the claimed invention cannot be considered to involve an inventive step when the document is combined with one or more other such documents, such combination being obvious to a person skilled in the art
"O"	document referring to an oral disclosure, use, exhibition or other means	"&" document member of the same patent family
"P"	document published prior to the international filing date but later than the priority date claimed	
Date of the actual completion of the international search 10 February 2011		Date of mailing of the international search report 14 FEB 2011
Name and mailing address of the ISA/AU AUSTRALIAN PATENT OFFICE PO BOX 200, WODEN ACT 2606, AUSTRALIA E-mail address: pct@ipaustalia.gov.au Facsimile No. +61 2 6283 7999		Authorized officer DAVID MELHUSH AUSTRALIAN PATENT OFFICE (ISO 9001 Quality Certified Service) Telephone No : +61 2 6283 2426

INTERNATIONAL SEARCH REPORT

International application No.

PCT/NZ2010/000201

C (Continuation). DOCUMENTS CONSIDERED TO BE RELEVANT		
Category*	Citation of document, with indication, where appropriate, of the relevant passages	Relevant to claim No.
A	WO 2002/026304 A2 (MALLINCKRODT INC.) 4 April 2002 Whole document	
P,A	US 2010/0071689 A1 (THIESSEN) 25 March 2010 Whole document	
X	EP 2055337 A1 (SMITHS MEDICAL ASD, INC.) 6 May 2009 Paragraphs 2, 6 and 54, figure 4	6,7,10,14-18
X	US 2007/0265877 A1 (RICE et al.) 15 November 2007 Paragraphs 16, 20 and 30, figure 1	6,7,10,14-18
X	EP 1127583 A2 (SIEMENS-ELEMA AB) 29 August 2001 Paragraphs 19 to 24	6,7,10,14-18
P,X	WO 2010/014020 A1 (FISHER & PAYKEL HEALTHCARE LTD) 4 February 2010 Page 8 lines 28 to 31 and page 14 lines 13 to 19	11-13
Y	EP 2017586 A1 (MAP MEDIZIN-TECHNOLOGIE GMBH) 21 January 2009 Paragraphs 18 and 33, figure 1	6-13
Y	EP 1714668 A1 (FISHER & PAYKEL HEALTHCARE LTD) 25 October 2006 Paragraphs 6 and 36	6-13
Y	US 6983341 B1 (LIM et al.) 3 January 2006 Column 5 lines 33 to 56, figure 1	6-10
Y	US 6086430 A (AMONI et al.) 11 July 2000 Figures 9 to 11, column 4 line 48 to column 5 line 19	11-13

INTERNATIONAL SEARCH REPORT

International application No.

PCT/NZ2010/000201

C (Continuation). DOCUMENTS CONSIDERED TO BE RELEVANT		
Category*	Citation of document, with indication, where appropriate, of the relevant passages	Relevant to claim No.
X	US 2008/0072902 A1 (SETZER et al.) 27 March 2008 Paragraphs 41, 29 to 33 and 52	19-23,138-142
X	WO 2009/087607 A1 (KONINKLIJKE PHILIPS ELECTRONICS N.V.) 16 July 2009 Page 9 paragraph 2, page 12 paragraphs 2 and 3	19-23,138-142
X	US 2007/0000491 A1 (CHALVIGNAC) 4 January 2007 Paragraphs 2, 183 to 190, 212, 213 and 228	19-23,138-142
X	EP 1714668 A1 (FISHER & PAYKEL HEALTHCARE LTD) 25 October 2006 Paragraphs 1, 74, 76 and 78	19-23,138-142
P,X	WO 2010/028427 A1 (RESMED LTD) 18 March 2010 Paragraphs 9, 41 and 49	24-40
P,X	WO 2010/003064 A1 (AEIOMED, INC.) 7 January 2010 Page 12 line 10 to page 14 line 23	24-28,37-40
X	US 2008/0149101 A1 (BECKER et al.) 26 June 2008 Paragraphs 23, 19, 12 and 13	24-28,37-40
Y		29-36
X	WO 2006/050384 A2 (SALTER LABS) 11 May 2006 Paragraphs 148 to 151, figure 2	24-28,37-40
Y		29-36
Y	WO 2005/086316 A1 (EATON POWER QUALITY CORP) 15 September 2005 Page 8 last paragraph to page 10 second paragraph	29-36
P,A	WO 2010/044039 A2 (KONINKLIJKE PHILIPS ELECTRONICS N.V.) 22 April 2010 Page 36 line 12 to page 38 line 15	
A	US 2007/0274693 A1 (FARBARIK) 29 November 2007 Whole document	

INTERNATIONAL SEARCH REPORT

International application No.

PCT/NZ2010/000201

C (Continuation) . DOCUMENTS CONSIDERED TO BE RELEVANT		
Category*	Citation of document, with indication, where appropriate, of the relevant passages	Relevant to claim No.
P,X	WO 2010/031126 A1 (RESMED LTD) 25 March 2010 Paragraphs 3 and 116, figures 12 to 14	41-49,54,55
X	US 2007/0169776 A1 (KEPLER et al.) 26 July 2007 Paragraphs 37 to 39, 74, figures 1A, 1B and 11 to 13	41-49,54,55
Y		52
X	US 2003/0066526 A1 (THUDOR et al.) 10 April 2003 Paragraph 63, figure 4	41,47-51,53-55
Y		52
X	US 2007/0210462 A1 (FELTY et al.) 13 September 2007 Paragraph 3 and 35, figures 11 to 13 and 20	41,47-49,54,55
Y		52
Y	WO 2009/011907 A1 (VAPOTHERM, INC.) 22 January 2009 Page 19 lines 12 to 14, figures 2 and 3A	52
A	WO 2004/112873 A1 (RESMED LIMITED) 29 December 2004 Whole document	
A	WO 2007/019625 A1 (RESMED LTD) 22 February 2007 Whole document	

Box No. II Observations where certain claims were found unsearchable (Continuation of item 2 of first sheet)

This international search report has not been established in respect of certain claims under Article 17(2)(a) for the following reasons:

1. Claims Nos.:
because they relate to subject matter not required to be searched by this Authority, namely:

2. Claims Nos.:
because they relate to parts of the international application that do not comply with the prescribed requirements to such an extent that no meaningful international search can be carried out, specifically:

3. Claims Nos.:
because they are dependent claims and are not drafted in accordance with the second and third sentences of Rule 6.4(a)

Box No. III Observations where unity of invention is lacking (Continuation of item 3 of first sheet)

This International Searching Authority found multiple inventions in this international application, as follows:

See Supplemental Box I.

1. As all required additional search fees were timely paid by the applicant, this international search report covers all searchable claims.
2. As all searchable claims could be searched without effort justifying additional fees, this Authority did not invite payment of additional fees.
3. As only some of the required additional search fees were timely paid by the applicant, this international search report covers only those claims for which fees were paid, specifically claims Nos.:

1 to 55 and 138 to 142
4. No required additional search fees were timely paid by the applicant. Consequently, this international search report is restricted to the invention first mentioned in the claims; it is covered by claims Nos.:

Remark on Protest

- The additional search fees were accompanied by the applicant's protest and, where applicable, the payment of a protest fee.
- The additional search fees were accompanied by the applicant's protest but the applicable protest fee was not paid within the time limit specified in the invitation.
- No protest accompanied the payment of additional search fees.

Supplemental Box I

(To be used when the space in any of Boxes I to IV is not sufficient)

Continuation of Box No: III

This International Application does not comply with the requirements of unity of invention because it does not relate to one invention or to a group of inventions so linked as to form a single general inventive concept.

In assessing whether there is more than one invention claimed, I have given consideration to those features which can be considered to potentially distinguish the claimed combination of features from the prior art. Where different claims have different distinguishing features they define different inventions:

This International Searching Authority has found that there are different inventions as follows:

- Claims 1 to 5 directed to a blower unit comprising a visual indicator indicating that the blower unit is in an operating mode. It is considered that the visual indicator comprises a first distinguishing feature.
- Claims 6 to 18 directed to a gases modification unit comprising a connection display indicating that a peripheral device is correctly connected to the gases modification unit. It is considered that the display of a correct connection comprises a second distinguishing feature.
- Claims 19 to 23 directed to a gases modification unit comprising a user display and user controls, wherein the user controls can be used to hide and unhide display options. It is considered that the hiding and unhideing of display options comprises a third distinguishing feature.
- Claims 24 to 40 directed to a blower unit comprising a power saving mode for operating the blower at a lower power rate. It is considered that the power saving mode comprises a fourth distinguishing feature.
- Claims 41 to 55 directed to a humidifier unit comprising a gas outlet on the humidifier and an outlet gases passage connected thereto, wherein the outlet gases passage can be removed and replaced by a user. It is considered that the removable and replaceable outlet gases passage comprises a fifth distinguishing feature.
- Claims 56 to 59 directed to a patient connector with a gases passage comprising an insulating wall that forms an insulating space at an inner end of the gases passage. It is considered that the insulating space comprises a sixth distinguishing feature.
- Claims 60 to 78 directed to a humidifier unit wherein the chamber has a gases inlet port and an inlet passage connected thereto, the inlet passage having an inlet aperture in the side of the inlet passage. It is considered that the aperture being in the side of the inlet passage comprises a seventh distinguishing feature.
- Claims 74 to 87 directed to a humidifier unit wherein the chamber has a gases outlet port and an outlet passage connected thereto, the outlet passage having an outlet aperture in the side of the outlet passage. It is considered that the aperture being in the side of the outlet passage comprises an eighth distinguishing feature.
- Claims 88 to 104 directed to a humidifier unit wherein the chamber has an inlet passage and an outlet passage, at least one of the passages having a recess in the lower part thereof, with a plurality of apertures formed in the recess. It is considered that the recess with apertures formed in the lower part of the passage comprises a ninth distinguishing feature.

(continued in Supplemental Box II)

Supplemental Box II

(To be used when the space in any of Boxes I to VIII is not sufficient)

Continuation of Box No:

- Claims 105 to 118 directed to a humidifier unit wherein the chamber has an inlet passage and an outlet passage, at least one of the passages having a plurality of buttress ribs spanning between the wall of the chamber and at least one of the inlet and outlet passages. It is considered that the buttress ribs comprises a tenth distinguishing feature.
- Claims 119 to 137 directed to a humidifier unit wherein the chamber has an inlet passage and an outlet passage, each with a port and an aperture, wherein the apertures are located in the centre of the chamber and the ports are located inside the perimeter of the chamber. It is considered that this combination of features comprises an eleventh distinguishing feature.
- Claims 138 to 142 directed to a gases modification unit comprising electronic circuitry, a user display and user controls, wherein the electronic circuitry selectively does not respond to manipulations of the user controls. It is considered that the circuitry not responding comprises a twelfth distinguishing feature.

PCT Rule 13.2, first sentence, states that unity of invention is only fulfilled when there is a technical relationship among the claimed inventions involving one or more of the same or corresponding special technical features. PCT Rule 13.2, second sentence, defines a special technical feature as a feature which makes a contribution over the prior art.

Each of the abovementioned groups of claims has a different distinguishing feature and they do not share any feature which could satisfy the requirement for being a special technical feature. Because there is no common special technical feature it follows that there is no technical relationship between the identified inventions. Therefore the claims do not satisfy the requirement of unity of invention *a priori*.

INTERNATIONAL SEARCH REPORT

Information on patent family members

International application No.

PCT/NZ2010/000201

This Annex lists the known "A" publication level patent family members relating to the patent documents cited in the above-mentioned international search report. The Australian Patent Office is in no way liable for these particulars which are merely given for the purpose of information.

Patent Document Cited in Search Report		Patent Family Member					
US	5927274	US	5598838	US	6305372		
US	2003062045	AU	94961/98	BR	9812255	CA	2303970
		EP	1015056	US	6543449	WO	9913932
US	2004016433	AU	14276/99	AU	29268/92	AU	30678/95
		AU	30679/95	AU	38508/93	AU	39130/95
		AU	62221/90	AU	98118/98	CA	2024477
		CA	2122590	CA	2162981	EP	0425092
		EP	0610405	EP	0714670	EP	1004325
		EP	1270036	EP	1649887	JP	8257016
		JP	3222963	US	5148802	US	5239995
		US	5313937	US	5433193	US	5492113
		US	5551418	US	5632269	US	5803065
		US	5823187	US	5901704	US	5904141
		US	5970975	US	6029664	US	6305374
		US	6427689	US	2002023645	US	6539940
		US	6629527	US	2003145856	US	6948497
		US	7013892	US	2005224078	US	7100607
		US	2006118112	US	7770578	US	2007044796
		WO	9308857				
EP	0788805	NONE					
WO	2002026304	CA	2423184	EP	1322368	US	6546930
		WO	0226304				
US	2010071689	WO	2010036655				
EP	2055337	AU	2008237553	JP	2009106748	US	2009107982
US	2007265877	NONE					
EP	1127583	JP	2001276223	US	2001017134		
WO	2010014020	NONE					
EP	2017586	US	2009020120				
EP	1714668	AU	2006201633	CA	2544544	JP	2006297116
		US	2006237014				
US	6983341	NONE					

INTERNATIONAL SEARCH REPORT

Information on patent family members

International application No.

PCT/NZ2010/000201

US	6086430	US	6334793				
US	2008072902	WO	2008039703				
WO	2009087607	CN	101909686	EP	2244772	US	2010288279
US	2007000491	AU	2003263441	EP	1400255	FR	2839893
		WO	2004020030				
WO	2010028427	NONE					
WO	2010003064	US	2010065054				
US	2008149101	DE	102006059340	US	2010300443		
WO	2006050384	US	2009199855				
WO	2005086316	CN	1926744	EP	1721377	US	2005195090
		US	7129822				
WO	2010044039	NONE					
US	2007274693	US	7369757	WO	2007140208		
WO	2010031126	AU	2009212880	US	2010116272		
US	2007169776	AU	2006294953	CA	2623548	CN	101296721
		EP	1933910	US	7677246	US	2010126506
		WO	2007038152				
US	2003066526	AU	11121/02	AU	28104/01	AU	2008258178
		CA	2341151	CA	2400251	CA	2424647
		CA	2616691	CA	2617228	CA	2617234
		CN	1314192	CN	1623612	EP	1138341
		EP	1295621	EP	1326665	EP	1522326
		EP	1681072	EP	1790370	EP	1790371
		HK	1089115	JP	2001314508	JP	2005177521
		JP	2008161712	JP	2008183413	NZ	507553
		US	2001050080	US	6918389	US	7111624
		US	2003059213	US	7120354	US	2004074493
		US	7146979	US	2002124847	US	7588029
		US	2004102731	US	2004149284	US	2006237012
		US	2007051368	WO	0232486		
US	2007210462	NONE					
WO	2009011907	EP	2178590	US	2009056712	US	2009056713
		US	2009056714	US	2009056715		
WO	2004112873	AU	2004248855	AU	2010201899	AU	2010241520
		AU	2010257238	CA	2528314	CN	1809397
		CN	101947343	DE	202004021774U	DE	202004021777U

INTERNATIONAL SEARCH REPORT

Information on patent family members

International application No.

PCT/NZ2010/000201

	EP	1648544		JP	2010214149		NZ	544765
	NZ	573227		US	2008072900		US	2010192094
	US	2011017212		US	2011023877			
WO	2007019625	AU	2006281985	CN	101242867		EP	1924311
		US	2009120434	US	2009194106		WO	2007019627

Due to data integration issues this family listing may not include 10 digit Australian applications filed since May 2001.

END OF ANNEX