



US00D725469S

(12) **United States Design Patent**
Davis et al.

(10) **Patent No.:** **US D725,469 S**

(45) **Date of Patent:** **** Mar. 31, 2015**

(54) **DOSING CAP**

(71) Applicant: **The Procter & Gamble Company**,
Cincinnati, OH (US)

(72) Inventors: **William John Davis**, Bath (GB); **Raf**
Gustaaf Alfons Degeyter, Donk (BE);
David James McNeill, Bath (GB);
Pieter Paul Dirk Jenny Maria Van Den
Bergh, St. Martens Latem (BE)

(73) Assignee: **The Procter & Gamble Company**,
Cincinnati, OH (US)

(**) Term: **14 Years**

(21) Appl. No.: **29/473,628**

(22) Filed: **Nov. 25, 2013**

(30) **Foreign Application Priority Data**

May 29, 2013 (WO) 76877301
Nov. 21, 2013 (WO) 776113501

(51) **LOC (10) Cl.** **09-07**

(52) **U.S. Cl.**
USPC **D9/447**

(58) **Field of Classification Search**
USPC D6/452-545; D7/300, 321, 392.1,
D7/396.2, 500, 507, 509, 510, 511, 900;
D9/434-448, 452-455, 682, 685, 694;
215/200, 235, 236, 252, 254, 329,
215/355-364; 220/203.04-203.07, 220,
220/254.1, 254.4, 556, 703, 704, 705

See application file for complete search history.

(56) **References Cited**

U.S. PATENT DOCUMENTS

D285,515 S * 9/1986 Papciak D7/509
D451,021 S * 11/2001 Berge et al. D9/445
D622,101 S * 8/2010 Tune D7/509
D667,300 S 9/2012 Davis et al.
D684,775 S * 6/2013 Floyd et al. D4/114

FOREIGN PATENT DOCUMENTS

WO DM/081976 5/2013

* cited by examiner

Primary Examiner — Robert M Spear

Assistant Examiner — Marissa J Cash

(74) *Attorney, Agent, or Firm* — Melissa G Krasovec

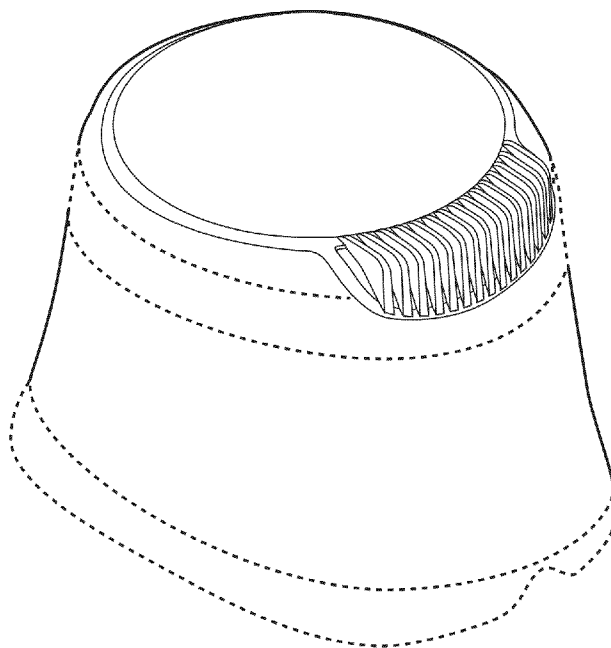
(57) **CLAIM**

The ornamental design for a dosing cap, or the like, as shown and described above.

DESCRIPTION

FIG. 1 is a perspective view of a dosing cap;
FIG. 2 is a left side view thereof;
FIG. 3 is a right side view thereof;
FIG. 4 is a front view thereof;
FIG. 5 is a rear view thereof;
FIG. 6 is a top plan view thereof; and,
FIG. 7 is a bottom view thereof.
The broken lines depict unclaimed subject matter and form no part of the claim.

1 Claim, 7 Drawing Sheets



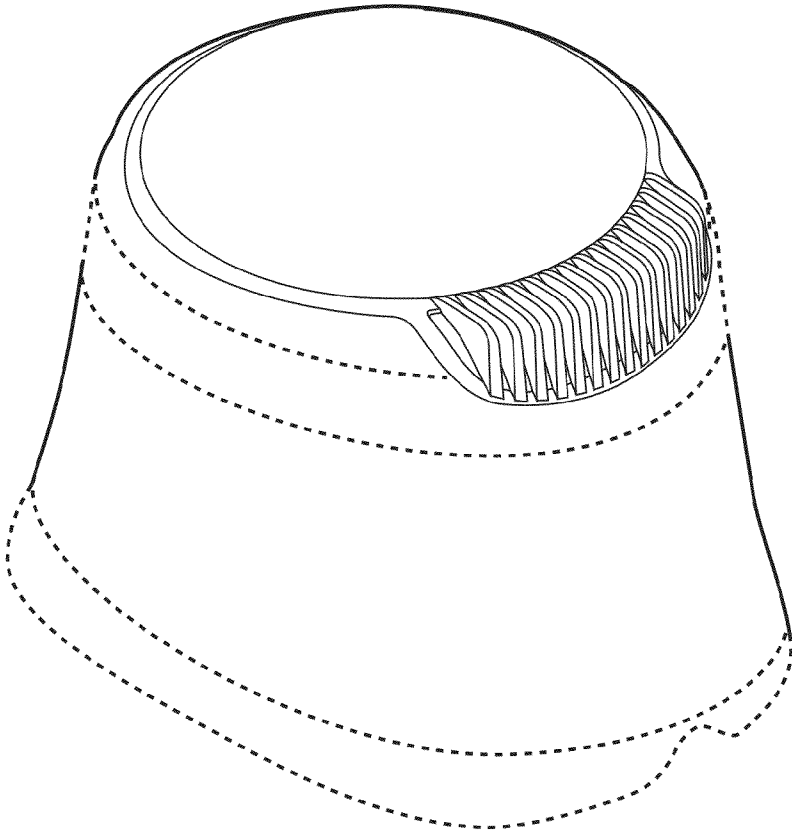


FIG. 1

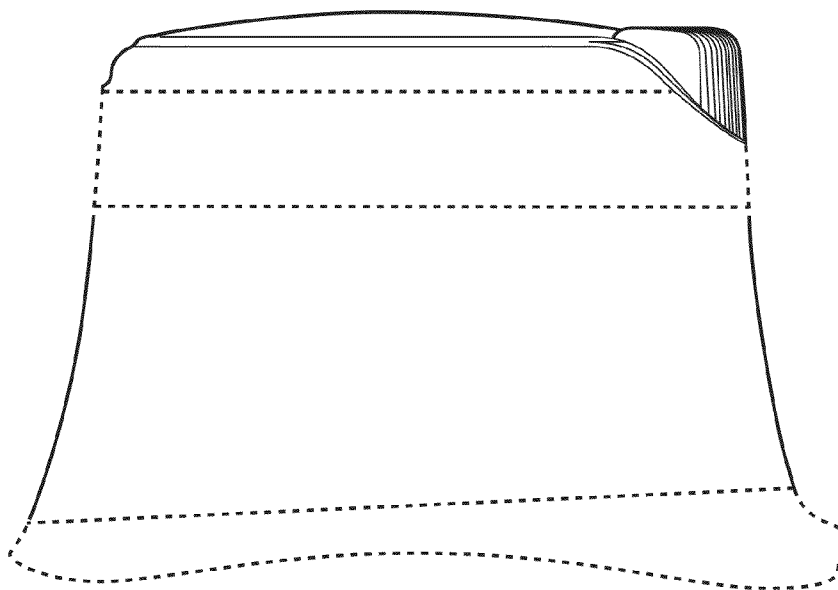


FIG. 2

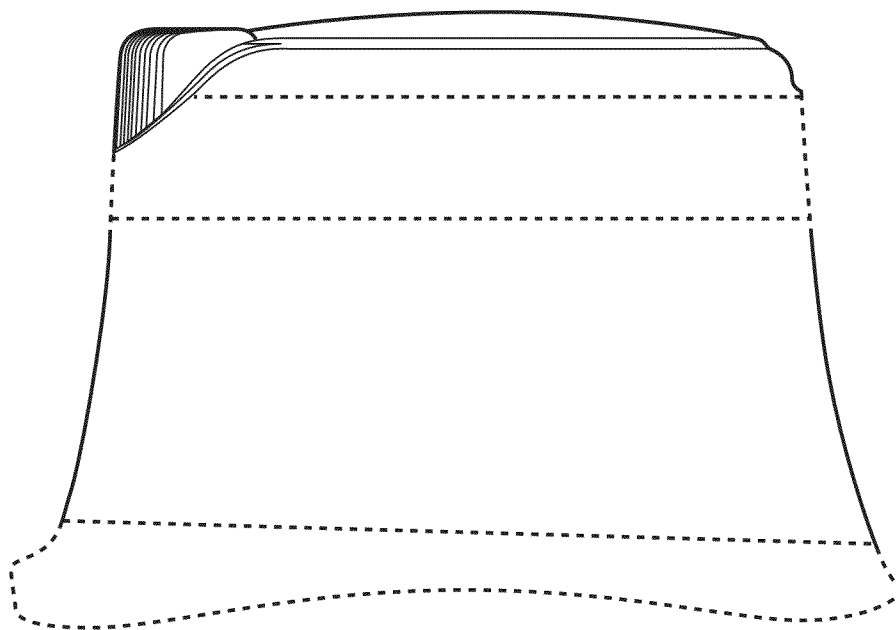


FIG. 3

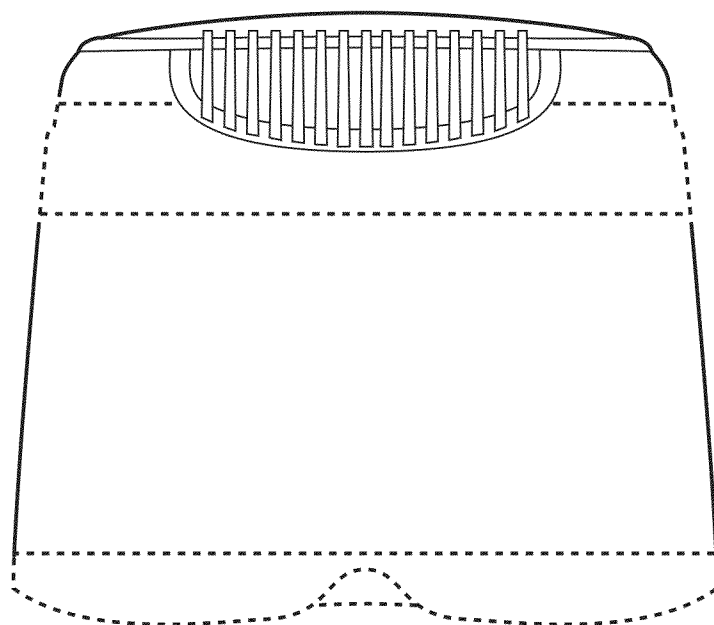


FIG. 4

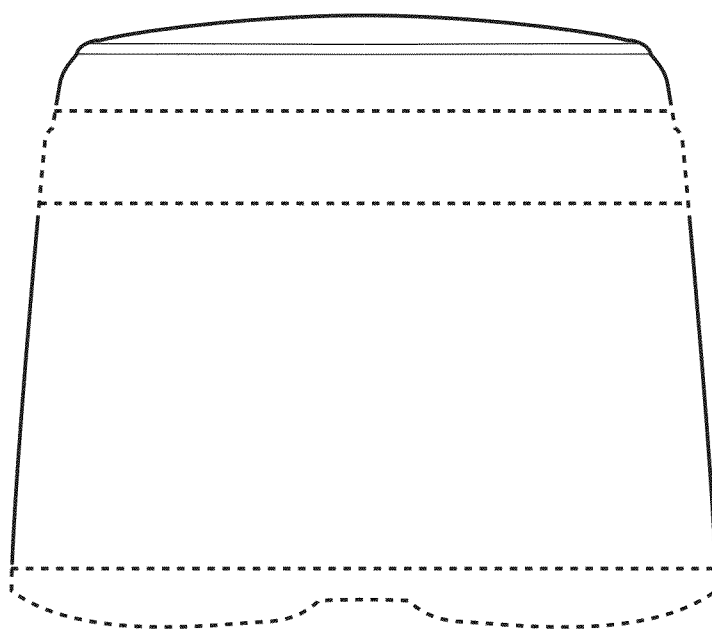


FIG. 5

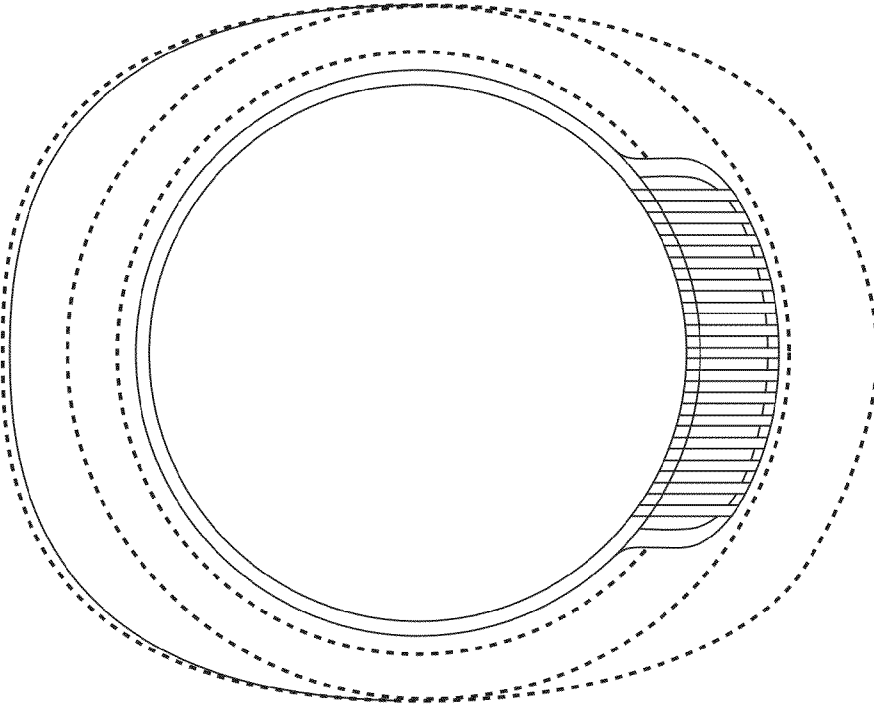


FIG. 6

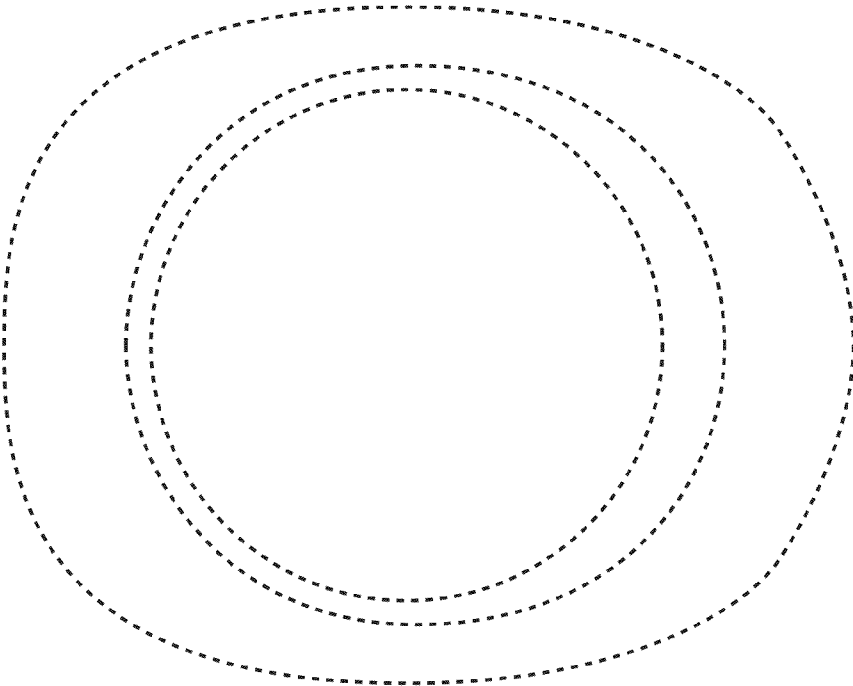


FIG. 7