



US00D847823S

(12) **United States Design Patent**  
**Monsalve et al.**

(10) **Patent No.:** **US D847,823 S**

(45) **Date of Patent:** **\*\* May 7, 2019**

(54) **MONITOR ARM**

FOREIGN PATENT DOCUMENTS

(71) Applicant: **Humanscale Corporation**, New York, NY (US)

EP 0481159 2/1991  
WO D008784-001 8/1987  
WO WO 2017155987 A1 \* 9/2017 ..... F16M 11/10

(72) Inventors: **Fabian Monsalve**, New York, NY (US); **Ross Velazquez**, New York, NY (US); **Jacob Glickstein**, New York, NY (US)

OTHER PUBLICATIONS

Modernsolid. <URL: <http://www.modernsolid.com/EA-211-Single-Heavy-Monitor-Gas-spring-Arm.htm>.> Visited Jun. 22, 2018. Heavy Height Monitor Arm.\*

(73) Assignee: **Humanscale Corporation**, New York, NY (US)

(Continued)

(\*\*) Term: **15 Years**

*Primary Examiner* — Susan Bennett Hattan

*Assistant Examiner* — Lauren D McVey

(21) Appl. No.: **29/642,594**

(74) *Attorney, Agent, or Firm* — Womble Bond Dickinson (US) LLP

(22) Filed: **Mar. 30, 2018**

(51) **LOC (11) Cl.** ..... **14-02**

(52) **U.S. Cl.**  
USPC ..... **D14/452**

(58) **Field of Classification Search**

USPC ..... D14/447-452, 336, 341, 371, 373, 374, D14/375, 376, 377, 126, 127, 128, 129

CPC .... F16M 11/105; F16M 11/10; F16M 11/048; F16M 11/12; F16M 13/022

See application file for complete search history.

(57) **CLAIM**

We claim the ornamental design for a monitor arm, as shown and described.

**DESCRIPTION**

FIG. 1 is a top front right perspective view of a monitor arm, showing our new design; FIG. 2 is a top rear left perspective view thereof; FIG. 3 is a front elevation view thereof; FIG. 4 is a rear elevation view thereof; FIG. 5 is a left side elevation view thereof; FIG. 6 is a right side elevation view thereof; FIG. 7 is a top plan view thereof; and, FIG. 8 is a bottom plan view thereof.

The dot-dash broken lines immediately adjacent to the claimed regions represent the bounds of the claimed design and form no part of the claimed design, while all other evenly spaced broken lines are directed to environment and form no part of the claimed design. In addition, the unshaded surface that directly adjoins the claimed solid line edge forms part of the claimed design.

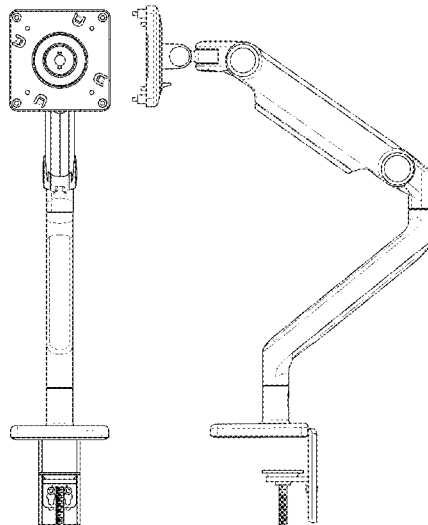
(56) **References Cited**

U.S. PATENT DOCUMENTS

D275,431 S	9/1984	Usah	
D391,945 S	3/1998	Rosen	
5,799,917 A	9/1998	Li	
D406,228 S	3/1999	Vogels	
D429,251 S	8/2000	Sundy	
D435,107 S	12/2000	Blair	
D435,852 S	1/2001	Oddsden, Jr.	
D462,969 S *	9/2002	Scharer	D14/447
D486,486 S	2/2004	Jobs	
6,695,270 B1	2/2004	Smed	
D508,917 S	8/2005	Wills	
6,935,883 B2	8/2005	Oddsden, Jr.	

(Continued)

**1 Claim, 7 Drawing Sheets**



(56)

References Cited

U.S. PATENT DOCUMENTS

D509,826 S 9/2005 Jobs  
 D512,698 S 12/2005 Augenbraun et al.  
 D521,996 S 5/2006 Kim  
 D522,010 S 5/2006 Piazza et al.  
 D537,323 S 2/2007 Saez  
 7,207,537 B2 4/2007 Hung  
 D541,807 S 5/2007 Oddsen, Jr. et al.  
 D542,297 S 5/2007 Hung  
 7,252,277 B2 8/2007 Sweere  
 D557,125 S 12/2007 Worrall et al.  
 7,338,022 B2 3/2008 Hung  
 7,389,965 B2 6/2008 Oddsen, Jr. et al.  
 7,395,995 B2 7/2008 Chen  
 D584,734 S 1/2009 Chu  
 7,510,155 B2 3/2009 Huang et al.  
 7,540,457 B2 6/2009 Oddsen, Jr. et al.  
 D598,917 S 8/2009 Luber  
 D606,548 S \* 12/2009 Sapper ..... D14/452  
 D608,771 S 1/2010 Hsu  
 7,677,518 B2 3/2010 Chouinard et al.  
 7,694,927 B2 4/2010 Chuang  
 D624,083 S 9/2010 Scheper et al.  
 D624,084 S 9/2010 Scheper et al.  
 D627,474 S 11/2010 Nordgren  
 D631,052 S 1/2011 Hung  
 D636,765 S 4/2011 Molter et al.  
 D643,042 S 8/2011 Saelid  
 D651,199 S 12/2011 Huang  
 D654,503 S \* 2/2012 Sapper ..... D14/452  
 D655,532 S 3/2012 Saelid  
 8,191,487 B2 6/2012 Theesfeld et al.  
 D668,256 S 10/2012 Matteo  
 D668,257 S 10/2012 Tsai  
 D679,016 S 3/2013 Jarva  
 D686,806 S 7/2013 Kim et al.  
 D688,674 S 8/2013 Lau et al.  
 D690,306 S 9/2013 Malisse  
 8,720,838 B2 5/2014 Bowman  
 D709,896 S 7/2014 McKinsty  
 8,777,172 B2 \* 7/2014 Sapper ..... F16M 11/08  
 248/274.1  
 8,839,723 B2 9/2014 Hazzard et al.  
 D714,775 S 10/2014 Yoo  
 D715,938 S 10/2014 Li et al.  
 8,931,748 B2 \* 1/2015 Bowman ..... F16M 11/10  
 248/280.11  
 D724,072 S 3/2015 Jiang  
 9,074,721 B2 7/2015 Lau et al.  
 9,080,721 B2 7/2015 Hazzard et al.  
 D735,727 S 8/2015 Dugger  
 D740,830 S \* 10/2015 Chu ..... D14/452  
 D745,873 S 12/2015 Xiang et al.  
 D747,179 S 1/2016 Xiang et al.  
 9,267,639 B2 2/2016 Sweere et al.  
 D751,565 S 3/2016 Gross

D751,566 S 3/2016 Anderson  
 D758,375 S 7/2016 Won et al.  
 9,400,083 B2 7/2016 Sapper et al.  
 D769,881 S 10/2016 Lazzi et al.  
 D787,522 S 5/2017 Lee  
 9,657,889 B1 5/2017 Chumakov  
 D792,419 S 7/2017 Shen  
 D796,519 S 9/2017 Hung  
 D798,848 S 10/2017 Frank  
 D805,085 S 12/2017 Xiang et al.  
 D807,373 S \* 1/2018 Thetard ..... D14/452  
 D812,066 S 3/2018 Lazzi  
 2005/0284991 A1 12/2005 Saez  
 2007/0040084 A1 2/2007 Sturman et al.  
 2008/0315048 A1 12/2008 Sakata  
 2011/0147546 A1 6/2011 Monsalve et al.  
 2011/0260017 A1 \* 10/2011 Monsalve ..... F16M 11/2014  
 248/201  
 2011/0303805 A1 \* 12/2011 Lau ..... F16M 11/126  
 248/125.8  
 2011/0315843 A1 12/2011 Hung  
 2012/0119040 A1 5/2012 Ergun et al.  
 2012/0187056 A1 7/2012 Hazzard  
 2012/0267497 A1 \* 10/2012 Bowman ..... F16M 11/10  
 248/280.11  
 2013/0126682 A1 5/2013 Tholkes et al.  
 2014/0137773 A1 5/2014 Mandel et al.  
 2014/0367137 A1 \* 12/2014 Leung ..... H02G 3/045  
 174/68.3

OTHER PUBLICATIONS

Amazon.<URL:https://www.amazon.com/do/BOOBRX3DM/ref=asc\_df\_BOOBRX3DM5102834/?tag=hyprod/OC2cYOAD2O&creative=394997&creativeASIN=BOOBRX3DM&linkCode=OE2')/080%A6.>Mar. 29, 2013, Ergotron Mounting Arm, 9 pgs.  
 Dell Monitor Stand User's Guide (USB 3.0 Dock MKS14), Aug. 2015, 23 pgs.  
 Ergotron DS100 Quad-Monitor Desk Stand, <http://ergotron.com/ProductsDetails/tabId/65/PRDID/196/language/en-US/Default.aspx>, known at least as early as Jun. 7, 2016, 2 pgs.  
 Humanscale's Quickstand Workstation, <http://www.humanscale.com/products/product.cfm?group=quickstand>, known at least as early as Jun. 7, 2016, 3 pgs.  
 M2 Monitor Arm Brochure, Humanscale, known at least as early as Dec. 21, 2016, 5 pgs.  
 M8 Monitor Arm Brochure, Humanscale, known at least as early as Dec. 21, 2016, 4 pgs.  
 Office Depot & OfficeMax, <URL:http://www.officedepot.com/catalog/search.do?Ntt=302938')/OEPABPABDWorkFir/oEPABPABDS%EP/oBP/013Display/OEP/O BF%BDStand.> Feb. 2, 2016, Ergotron WorkFit S Display Stand, 2 pgs.  
 YouTube, <URL:https://www.youtube.com/watch?v=kY3zIRz-ZKY> Aug. 1, 2016, HumanScale Quick Stand, 2 pgs.

\* cited by examiner

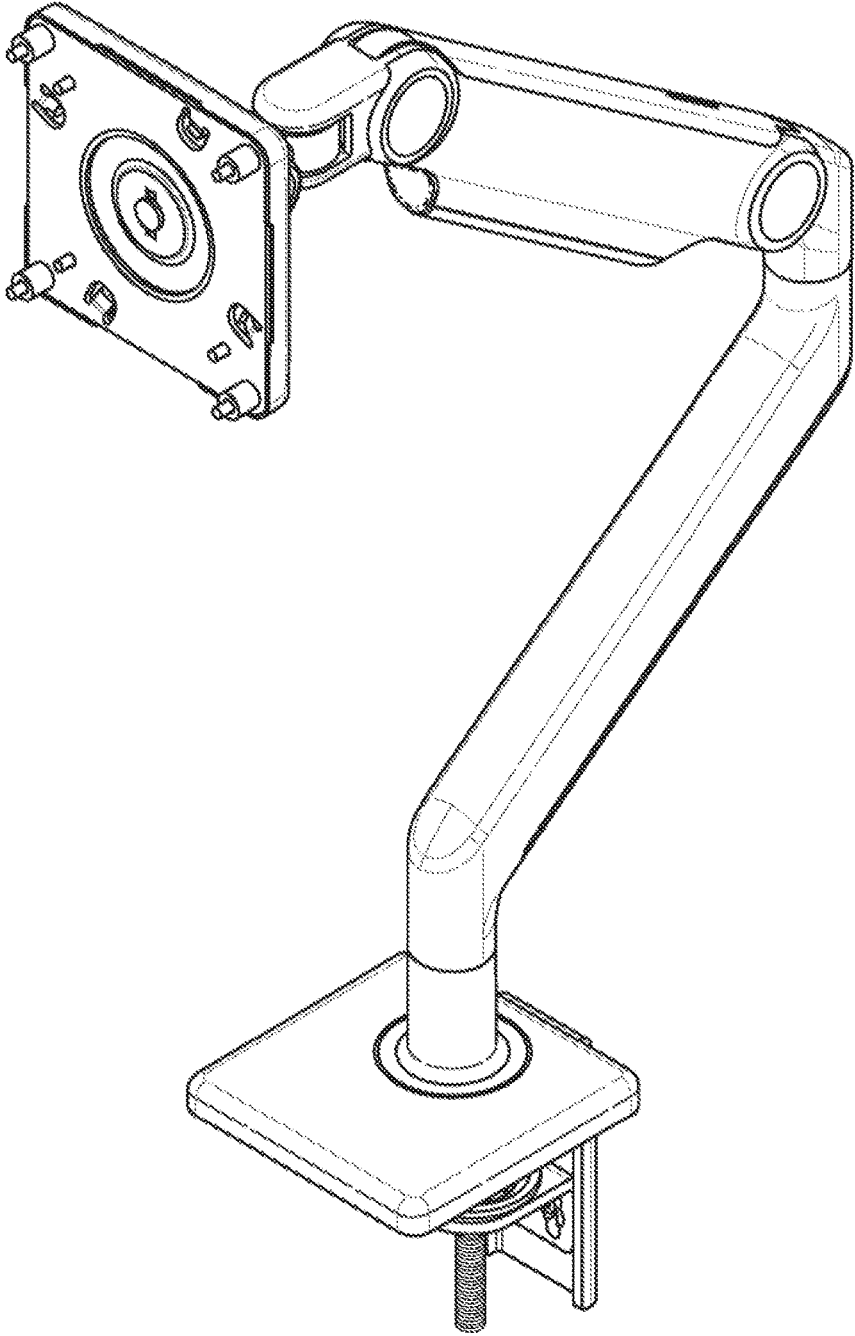


FIG. 1

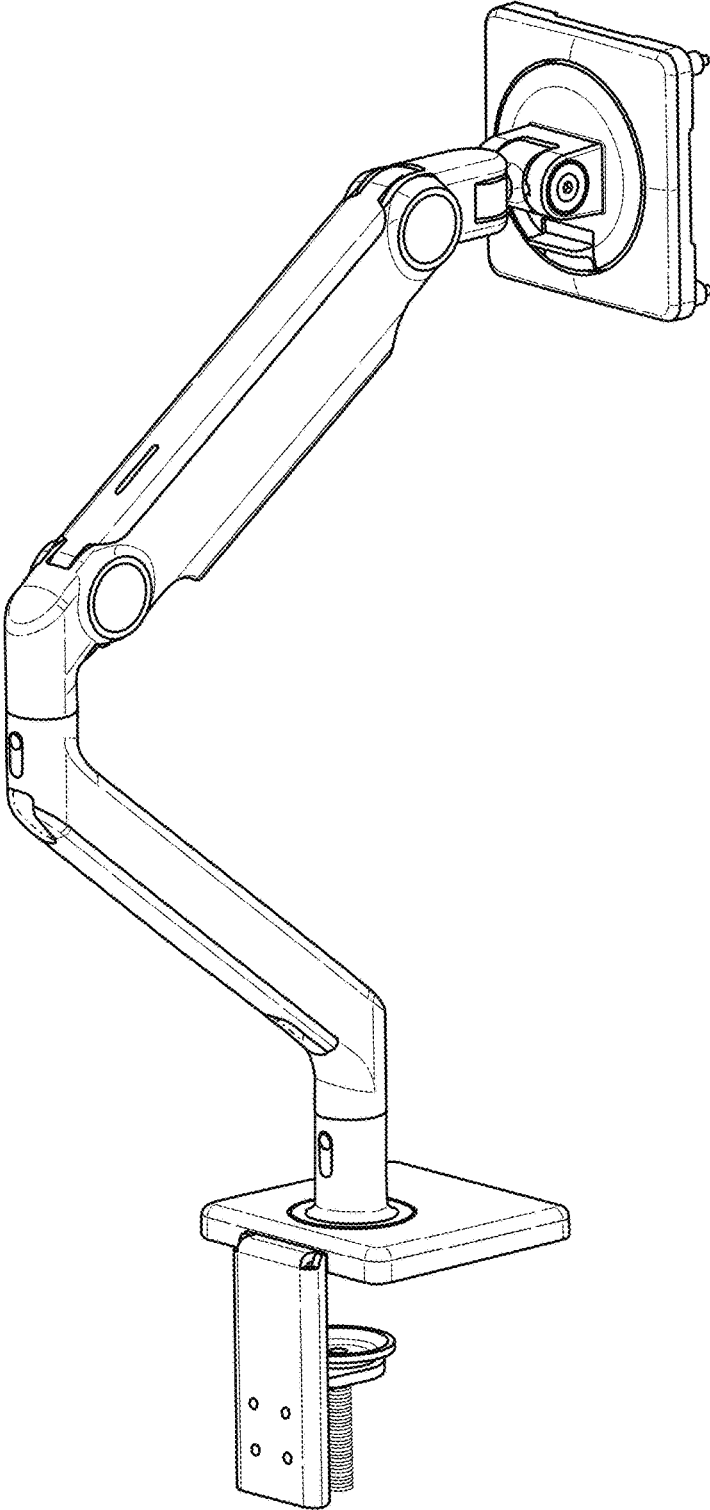


FIG. 2

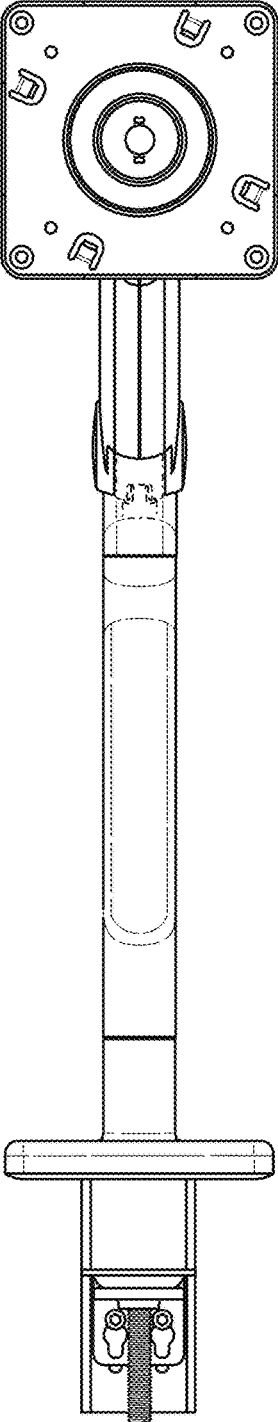


FIG. 3

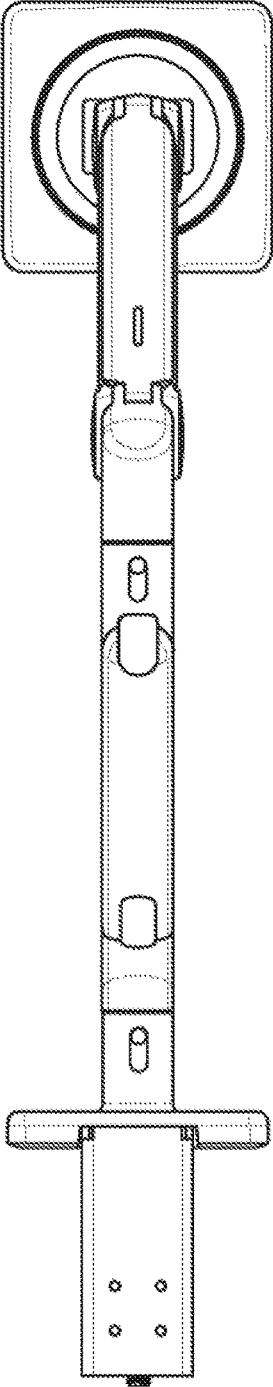


FIG. 4

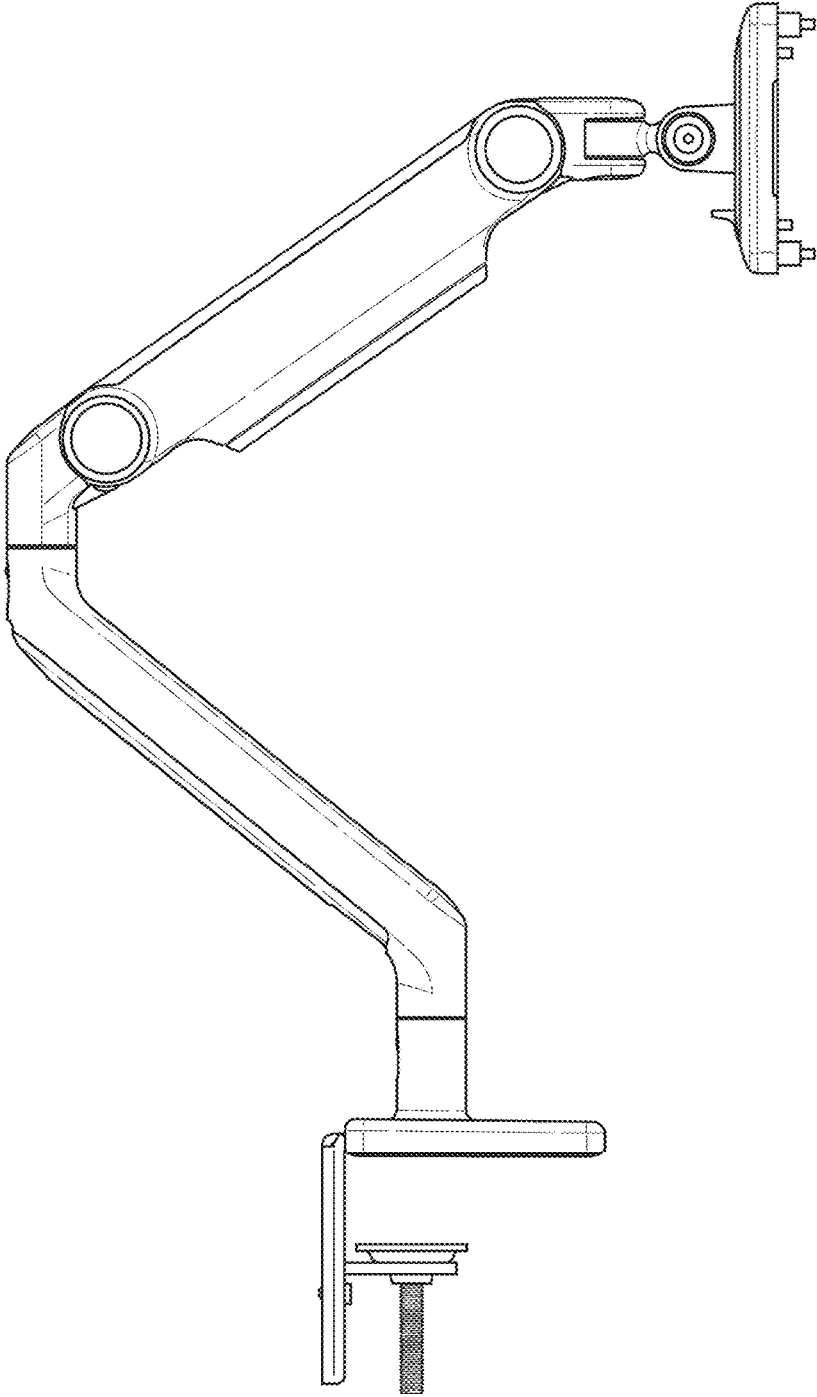


FIG. 5

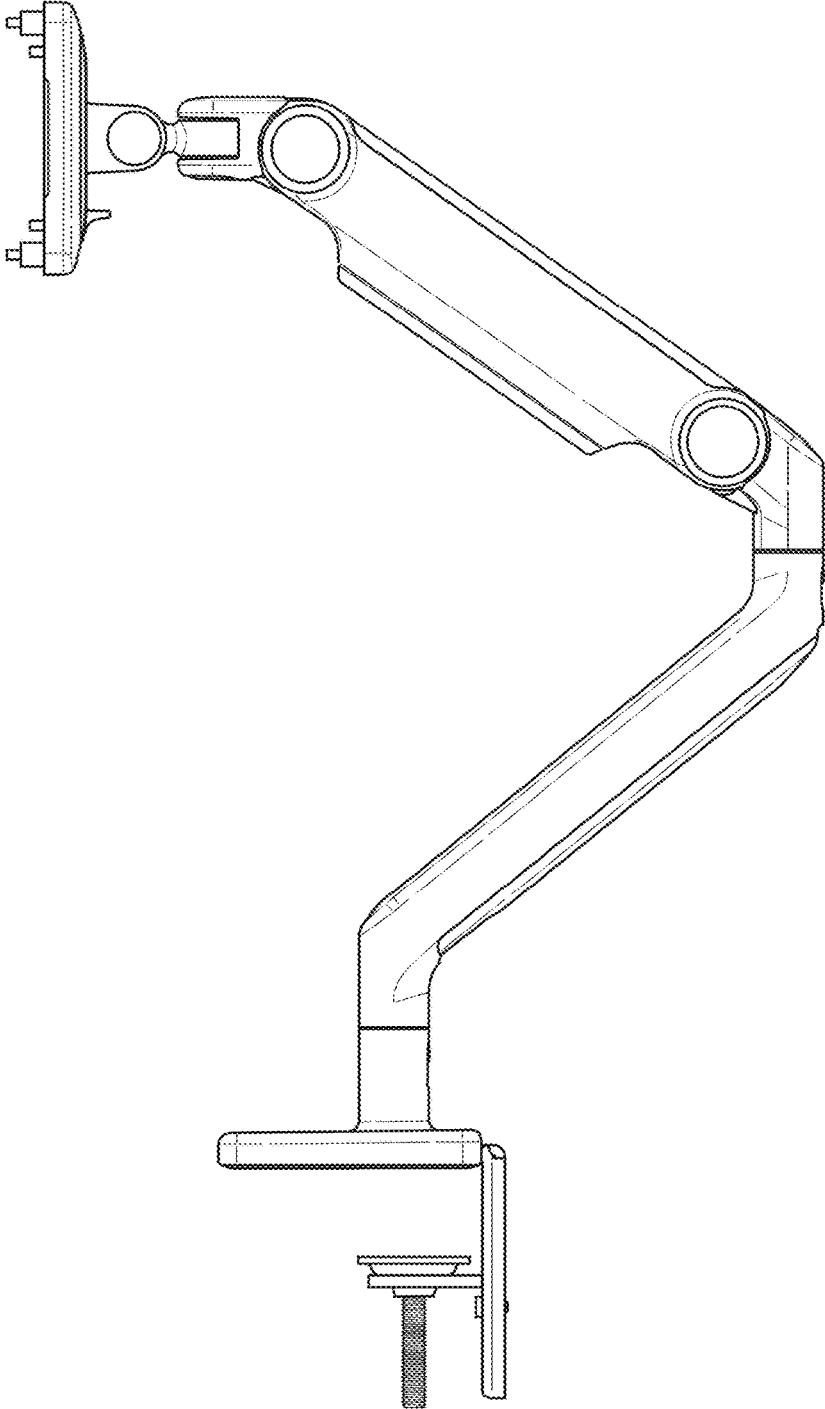


FIG. 6



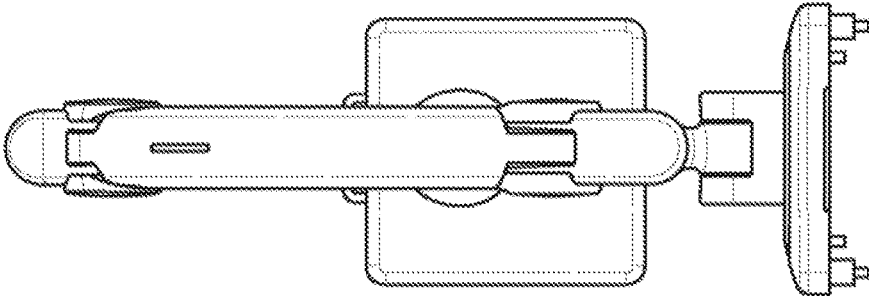


FIG. 7

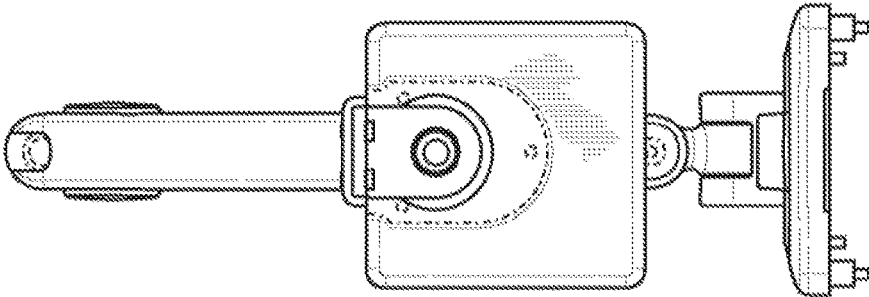


FIG. 8