



(51) International Patent Classification:

E21B 23/06 (2006.01) *E21B 47/00* (2012.01)
E21B 33/05 (2006.01) *E21B 33/16* (2006.01)
E21B 47/12 (2012.01) *E21B 47/09* (2012.01)
E21B 47/16 (2006.01)

(21) International Application Number:

PCT/US2011/060460

(22) International Filing Date:

11 November 2011 (11.11.2011)

(25) Filing Language:

English

(26) Publication Language:

English

(30) Priority Data:

61/413,233 12 November 2010 (12.11.2010) US
61/491,755 31 May 2011 (31.05.2011) US

(71) Applicant (for all designated States except US):

WEATHERFORD/LAMB, INC. [US/US]; 515 Post Oak Boulevard, Suite 600, Houston, Texas 77027 (US).

(72) Inventors; and

(75) Inventors/Applicants (for US only): **RING, Lev** [US/US]; 14122 Barnhart Boulevard, Houston, Texas 77077 (US). **TEODORESCU, Sorin Gabriel** [US/US]; 34 Bryce Branch Circle, The Woodlands, Texas 77382 (US).

(74) Agents: **READ, Randol W.** et al.; 3040 Post Oak Boulevard, Suite 1500, Houston, Texas 77056 (US).

(81) Designated States (unless otherwise indicated, for every kind of national protection available):

AE, AG, AL, AM, AO, AT, AU, AZ, BA, BB, BG, BH, BR, BW, BY, BZ, CA, CH, CL, CN, CO, CR, CU, CZ, DE, DK, DM, DO, DZ, EC, EE, EG, ES, FI, GB, GD, GE, GH, GM, GT, HN, HR, HU, ID, IL, IN, IS, JP, KE, KG, KM, KN, KP, KR, KZ, LA, LC, LK, LR, LS, LT, LU, LY, MA, MD, ME, MG, MK, MN, MW, MX, MY, MZ, NA, NG, NI, NO, NZ, OM, PE, PG, PH, PL, PT, QA, RO, RS, RU, RW, SC, SD, SE, SG, SK, SL, SM, ST, SV, SY, TH, TJ, TM, TN, TR, TT, TZ, UA, UG, US, UZ, VC, VN, ZA, ZM, ZW.

(84) Designated States (unless otherwise indicated, for every kind of regional protection available):

ARIPO (BW, GH, GM, KE, LR, LS, MW, MZ, NA, RW, SD, SL, SZ, TZ,

[Continued on next page]

(54) Title: REMOTE OPERATION OF CEMENTING HEAD

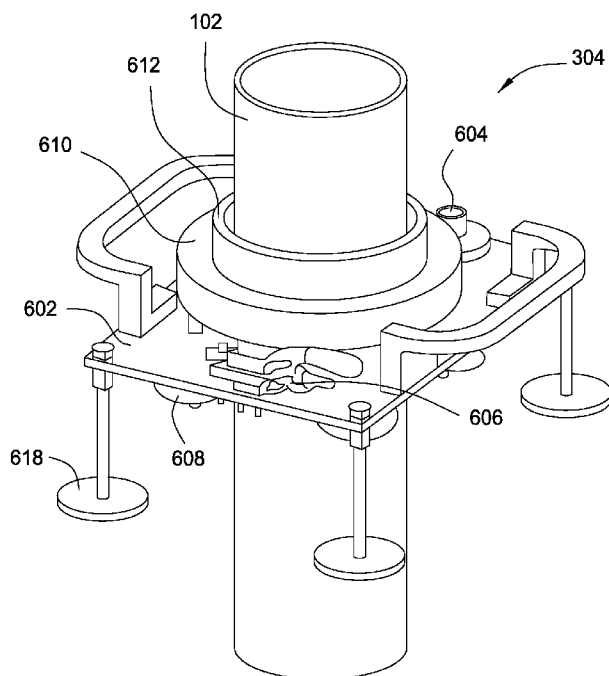


FIG. 4A

(57) Abstract: Methods and systems are provided for remotely operating a cementing head. Remotely operating a cementing head (202) may allow for continued rotation as well as up or down movements (e.g., of a top drive).





UG, ZM, ZW), Eurasian (AM, AZ, BY, KG, KZ, MD, RU, TJ, TM), European (AL, AT, BE, BG, CH, CY, CZ, DE, DK, EE, ES, FI, FR, GB, GR, HR, HU, IE, IS, IT, LT, LU, LV, MC, MK, MT, NL, NO, PL, PT, RO, RS, SE, SI, SK, SM, TR), OAPI (BF, BJ, CF, CG, CI, CM, GA, GN, GQ, GW, ML, MR, NE, SN, TD, TG).

— *before the expiration of the time limit for amending the claims and to be republished in the event of receipt of amendments (Rule 48.2(h))*

(88) Date of publication of the international search report:

2 August 2012

Published:

— *with international search report (Art. 21(3))*

INTERNATIONAL SEARCH REPORT

International application No
PCT/US2011/060460

A. CLASSIFICATION OF SUBJECT MATTER
 INV. E21B23/06 E21B33/05 E21B47/12 E21B47/16 E21B41/00
 E21B33/16 E21B47/09
 ADD.
 According to International Patent Classification (IPC) or to both national classification and IPC

B. FIELDS SEARCHED
 Minimum documentation searched (classification system followed by classification symbols)
 E21B

Documentation searched other than minimum documentation to the extent that such documents are included in the fields searched

Electronic data base consulted during the international search (name of data base and, where practicable, search terms used)
 EPO-Internal, WPI Data

C. DOCUMENTS CONSIDERED TO BE RELEVANT

Category*	Citation of document, with indication, where appropriate, of the relevant passages	Relevant to claim No.
X	WO 2010/047600 A2 (SEAWELL OIL TOOLS AS [NO]; OSMUNDSEN STIAN [NO]; KLIMAS KRZYSZTOF [NO]) 29 April 2010 (2010-04-29)	1,3-8, 14,16-21
Y	page 2, line 11 - line 21; figures 2,3	2,9-13, 15,22-24
X	----- US 2008/296012 A1 (PEER RICHARD DAVID [US] ET AL) 4 December 2008 (2008-12-04) paragraph [0014] - paragraph [0015] paragraph [0051] paragraph [0054]	1,3-6, 14,16,19
X	----- US 5 833 002 A (HOLCOMBE MICHAEL W [US]) 10 November 1998 (1998-11-10) abstract; claim 1 ----- -/--	1,3-8, 14,16, 19,20

Further documents are listed in the continuation of Box C.

See patent family annex.

* Special categories of cited documents :

- "A" document defining the general state of the art which is not considered to be of particular relevance
- "E" earlier application or patent but published on or after the international filing date
- "L" document which may throw doubts on priority claim(s) or which is cited to establish the publication date of another citation or other special reason (as specified)
- "O" document referring to an oral disclosure, use, exhibition or other means
- "P" document published prior to the international filing date but later than the priority date claimed

- "T" later document published after the international filing date or priority date and not in conflict with the application but cited to understand the principle or theory underlying the invention
- "X" document of particular relevance; the claimed invention cannot be considered novel or cannot be considered to involve an inventive step when the document is taken alone
- "Y" document of particular relevance; the claimed invention cannot be considered to involve an inventive step when the document is combined with one or more other such documents, such combination being obvious to a person skilled in the art
- "&" document member of the same patent family

Date of the actual completion of the international search 4 May 2012	Date of mailing of the international search report 22/05/2012
---	--

Name and mailing address of the ISA/ European Patent Office, P.B. 5818 Patentlaan 2 NL - 2280 HV Rijswijk Tel. (+31-70) 340-2040, Fax: (+31-70) 340-3016	Authorized officer Dantine, Patrick
--	--

INTERNATIONAL SEARCH REPORT

International application No

PCT/US2011/060460

C(Continuation). DOCUMENTS CONSIDERED TO BE RELEVANT

Category*	Citation of document, with indication, where appropriate, of the relevant passages	Relevant to claim No.
Y	US 4 073 341 A (PARKER WILLIAM H) 14 February 1978 (1978-02-14) abstract; figures 4,7 -----	2,9
Y	WO 02/12676 A1 (EMTEC SOLUTIONS LTD [GB]; NICHOLSON HARLAN LEON [GB]) 14 February 2002 (2002-02-14) abstract -----	10-13, 22-24
Y	US 2002/040782 A1 (RYTLEWSKI GARY L [US] ET AL) 11 April 2002 (2002-04-11) figure 17 -----	15
A	EP 1 083 298 A2 (HALLIBURTON ENERGY SERV INC [US]) 14 March 2001 (2001-03-14) abstract; figure 2 -----	1-24

INTERNATIONAL SEARCH REPORT

Information on patent family members

International application No

PCT/US2011/060460

Patent document cited in search report	Publication date	Patent family member(s)	Publication date
WO 2010047600	A2	29-04-2010	AU 2009307169 A1 29-04-2010
			GB 2477673 A 10-08-2011
			NO 330907 B1 15-08-2011
			US 2011168380 A1 14-07-2011
			WO 2010047600 A2 29-04-2010

US 2008296012	A1	04-12-2008	CA 2632386 A1 30-11-2008
			GB 2451923 A 18-02-2009
			GB 2469590 A 20-10-2010
			US 2008296012 A1 04-12-2008

US 5833002	A	10-11-1998	AU 730110 B2 22-02-2001
			AU 2490097 A 08-01-1998
			CA 2207690 A1 20-12-1997
			GB 2314361 A 24-12-1997
			NO 972837 A 22-12-1997
			US 5833002 A 10-11-1998

US 4073341	A	14-02-1978	US 3961308 A 01-06-1976
			US 4073341 A 14-02-1978

WO 0212676	A1	14-02-2002	AU 6579600 A 18-02-2002
			NO 20030668 A 08-04-2003
			WO 0212676 A1 14-02-2002

US 2002040782	A1	11-04-2002	AU 777160 B2 07-10-2004
			AU 2004218672 A1 04-11-2004
			US 2002040782 A1 11-04-2002
			US 2005189115 A1 01-09-2005

EP 1083298	A2	14-03-2001	CA 2317261 A1 07-03-2001
			DE 60025994 T2 27-07-2006
			EP 1083298 A2 14-03-2001
			NO 20004442 A 08-03-2001
			US 6597175 B1 22-07-2003
