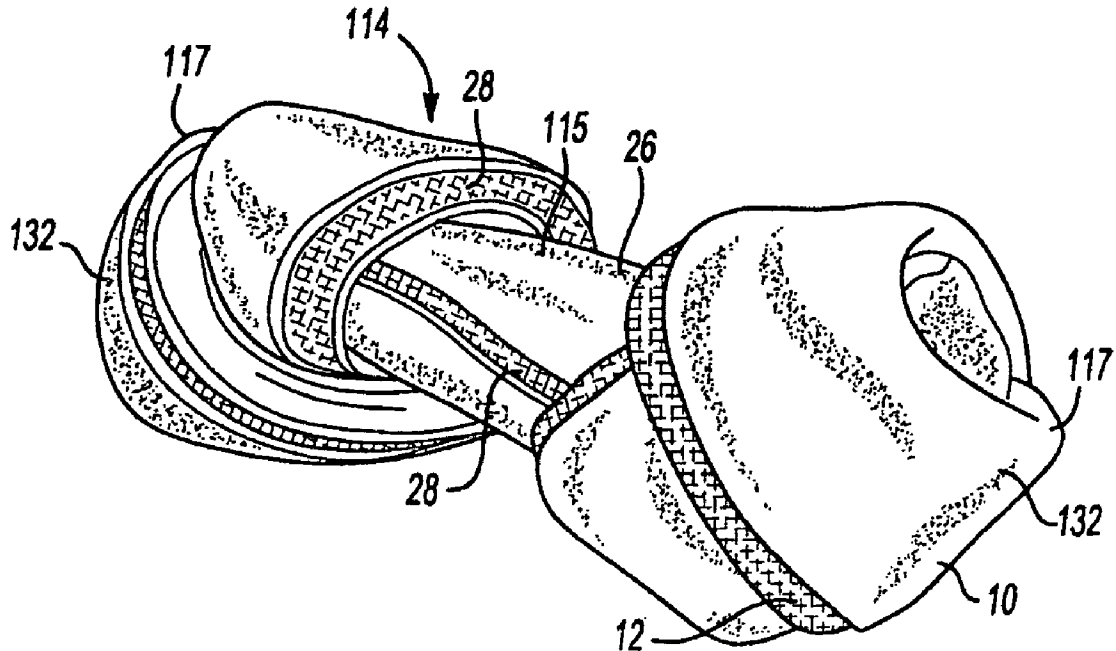




(22) Date de dépôt/Filing Date: 2007/11/20
 (41) Mise à la disp. pub./Open to Public Insp.: 2008/05/29
 (45) Date de délivrance/Issue Date: 2015/01/27
 (62) Demande originale/Original Application: 2 671 413
 (30) Priorité/Priority: 2006/11/21 (US11/602,939)

(51) Cl.Int./Int.Cl. *A23K 1/14* (2006.01),
A01K 29/00 (2006.01), *A23K 1/10* (2006.01)
 (72) Inventeur/Inventor:
 STERN, MARK, US
 (73) Propriétaire/Owner:
 PETMATRIX LLC, US
 (74) Agent: SMART & BIGGAR

(54) Titre : ALIMENT A MACHER COMESTIBLE POUR ANIMAUX DOMESTIQUES
 (54) Title: EDIBLE PET CHEW



(57) Abrégé/Abstract:

An edible pet chew 114 has a first casing 10 of plant base material and a second protein 12 of flavored material for example jerky that is wrapped with the first sheet to form alternating layers in the edible pet chew.

Abstract

An edible pet chew 114 has a first casing 10 of plant base material and a second protein 12 of flavored material for example jerky that is wrapped with the first sheet to form alternating layers in the edible pet chew.

EDIBLE PET CHEW

TECHNICAL FIELD

[0001] The field of this invention relates to an edible pet chew.

BACKGROUND OF THE DISCLOSURE

[0002] A single visit to a pet supermarket makes it readily apparent that there is a wide selection of rawhide and other synthetic chew toys manufactured and shaped for dogs and other carnivorous pets to chew on. Pet owners believe chew toys are desirable for cleaning the teeth of dogs and other pets, providing for dental hygiene and resulting in better breath. The chew toys also distract the pet from chewing on other objects such as shoes or furniture.

[0003] Many of these chew toys have been made from synthetic materials such as plastic, for example, nylon or even rubber to provide a long lasting chew toy. These synthetic chew toys are be indigestible and may pose a health risk if the dog bites off a portion and swallows it. Secondly, these toys may lose a dog's interest because the toy typically has no flavor or other chew incentive.

[0004] Other chew toys are made from rawhide. Rawhide also has no inherent flavor and thus may lose a dogs interest after only a short chew time. To overcome the lack of flavor and taste of rawhide, many manufacturers have attempted to add flavor to the pet chew by adding jerky, natural flavors or even pig hide in addition to the rawhide. Flavors may also be injected into the rawhide, marinated into the rawhide, wrapped in the rawhide or impregnated into the rawhide.

[0005] Many people are concerned that the manufacture of rawhide is a relatively unregulated industry and the origins of the rawhide may be unknown and the degree of contamination of the rawhide with antibiotics, insecticides or other detrimental elements for example, lead, may also be unknown. Furthermore, rawhide provides no nutritional benefits and is only slowly digestible if at all. These concerns whether they all be true or unfounded provides a perception for dog and other pet owners to seek alternative ways to provide a chew treat for a pet without the use of rawhide.

[0006] One such pet chew recently placed on the market is a product made from a solid molded wheat based material with glycerin, gelatin, monoglycerides of edible fatty acid, and natural flavor. It also contains chlorophyll which is marketed to improve the dog's breath. This molded plant material composite is molded into an elongated shape with one end shaped like a toothbrush head and an opposite end shaped like an epiphysis i.e. end of a long bone.

[0007] It is also known to make a jerky-like material both in texture and taste from of soy protein isolate and wheat starch formed into elongated strips. It is also known to provide an extruded composite for dry diets formed from emulsified meat and grain meal byproducts.

[0008] What is needed is an improved edible pet chew that has an outer layer of hardened and chewable plant based material in conjunction with an inner layer of material that contains at least in part flavored content or actual dried or cured animal flesh content.

SUMMARY OF THE DISCLOSURE

[0008A] In one aspect of the invention, there is provided an edible pet chew comprising: an outer casing of hardened chewable substantially plant based material; a chewy edible material positioned within the outer casing; the outer casing formed from a first sheet of the hardened chewable plant based material dimensioned large enough and thin enough to be initially malleable for use as a wrap by flexing, folding or rolling into a shape; the chewy edible material comprised of cured or dried animal flesh material; the first sheet forming an outer layer of the edible pet chew; and the cured or dried animal flesh material substantially inside the edible pet chew.

[0008B] In another aspect of the invention, there is provided an edible pet chew comprising: an outer casing of hardened chewable substantially plant based material; a chewy edible material positioned within the outer casing; at least one hole in the outer casing and being accessible to an exterior of the outer casing; and the at least one hole at least partially filled with the chewy edible material.

[0008C] In another aspect of the invention, there is provided an edible pet chew comprising: a first sheet of hardened substantially chewy plant based material; a second sheet of a chewy edible material; the first and second sheets superimposed against each other into a composite assembly with the first sheet and second sheet forming alternating layers in the composite assembly; and the sheets being initially thin enough and malleable enough for flexing, folding and rolling into a shape.

[0008D] In another aspect of the invention, there is provided a method of forming a rawhide free edible pet chew with two edible sheets, the method comprising: providing a plant based mixture that is extrudable and initially malleable; forming the initially malleable plant based mixture into a first sheet; providing a second sheet made from flavored digestible and edible material; placing the first and second sheets in superimposed relation and rolling the first and second sheets up to have the first sheet and second sheet forming alternating layers; and hardening the first sheet after it is wrapped with the

second sheet such that the first sheet provides a hardened chewable wrap for extended chew time relative to normal pet treats.

[0009] In accordance with one embodiment of the invention, an edible pet chew has a layer of hardened chewy plant base material and a layer sheet of a chewy edible material. The first and second sheets are superimposed adjacent each other into a composite assembly with the first sheet and second sheet forming alternating layers in the composite assembly.

[0010] Preferably, the first sheet of plant base material includes a plant based composition being wrapped about the second sheet. The first and second sheets wrapped into a roll form to form an interleaved spiral shape in cross-section with the first sheet substantially forming a hardened layer of the edible pet chew. The first sheet may be made from an initially malleable and hardenable mixture of wheat protein and gelatin. A plant protein composition is desirably extrudable to form the first sheet. Only a small percentage of gelatin is needed, for example under 5% of the composition by weight, to provide enough malleability for extrusion, molding and other bending and forming.

[0011] In one embodiment, the edible pet chew has a tied knot at each end thereof to resemble epiphyses of a bone. The second sheet may be made from a plant based material having flavor infused therein. Alternately, the second sheet may be formed from a meat composite bound with a binder. In one embodiment, the second sheet may be formed from a jerky of dried or cured animal flesh.

[0012] In accordance with another aspect of the invention, the edible pet chew includes a casing of hardened chewable plant based material and a chewy edible member therein. Preferably, the outer casing is in the form of a first sheet that provides an outer layer of the edible pet chew. The chewy edible member therein is substantially inside the edible pet chew and may be a cured or dried

animal flesh.

[0013] In accordance with another aspect of the invention, a method of forming an edible pet chew includes providing a plant based mixture that is extrudable or sheetable and initially malleable forming the initially malleable plant based mixture into a first sheet, providing a second sheet made from material having flavor, placing the first and second sheets in superimposed relation forming multiple layers and hardening the first sheet after it is formed with the second sheet. Preferably the first and second sheets are rolled together and preferably rolled with the first sheet forming an outer layer.

[0014] Preferably, the ends of the edible pet chew are tied into knots before hardening of the first sheet. Preferably, the first sheet is made from a plant protein composition, and the second sheet is made from a meat based material. The first sheet is made from a plant base and glycerin composition, and the second sheet is made from a meat jerky. The method also includes wrapping the first sheet about the second sheet to form an outer layer of the edible pet chew.

[0015] In another embodiment of the invention to outer portion of plant based material is injection molded to form one or more cavities in which the jerky can be inserted. Injection molding is the preferred method to produce a three dimensional shape. An alternative to injection molding the outer portion could be extrusion, co-extrusion, cold molding or compression molding. After the outer case is formed, the jerky can be inserted either wholly or partially into the formed cavities.

BRIEF DESCRIPTION OF THE DRAWINGS

[0016] Reference now is made to the accompanying drawings in which:

[0017] Figure 1 is a perspective view showing a first sheet of a wheat based material with a second jerky sheet laid over the first sheet in preparation of forming an edible pet chew in accordance with one embodiment of the invention;

[0018] Figure 2 is a perspective view of one embodiment of the edible pet chew;

[0019] Figure 3 is another embodiment having two knotted ends to simulate the epiphyses of a bone with a diaphysis in the middle;

[0020] Figure 4 is a top plan view showing a plurality of meat flavored strips placed on top of the first sheet in preparation of forming another alternate embodiment of a pet chew;

[0021] Figure 5 an alternate embodiment of an edible pet treat formed from the sheets shown in Figure 4;

[0022] Figure 6 an alternate embodiment of an edible pet treat formed also from the sheets shown in Figure 4;

[0023] Figure 7 is a side view of another embodiment of an edible pet chew;

[0024] Figure 8 is a perspective view of a pet chew with an outer molded casing with transverse holes for filling with an edible chewable material therein;

[0025] Figure 9 is a perspective view of a pet chew with a molded outer casing with a longitudinal hole for filling with an edible chewable material therein;
and

[0026] Figure 10 is a perspective view of a pet chew with a molded outer casing with an alternate configuration.

DETAILED DESCRIPTION OF THE PREFERRED EMBODIMENT

[0027] Referring now to Figure 1, a first sheet 10 of an extruded or rolled plant based composition, for example a wheat protein mixed with a gelatin or other binder for example glycerin is laid flat. The term "plant based" means material having substantially over 50% of plant material. The gelatin may be a small percentage by weight, for example 5%, to provide sufficient malleability, moldability, extrudability, and formability as set forth in further detail below. Other plant materials may be substituted for the above mentioned materials as long as the material is a cohesive material that can be rolled and formed in a malleable state and eventually hardened by heat or drying into a hard but chewable matter for use by a carnivorous pet. The sheet 10 may be formed by extrusion, pressing or rolling or injection molding for example.

[0028] A second sheet 12 may be made from flavored material, for example, natural meat jerky. The sheet 12 is superimposed over the first sheet 10. The second sheet 12 may alternately be made from a jerky composition that is a mixture of meat and other binders to form a chewable composite that is malleable enough to be rollable. In another variation, the second sheet 12 may also be made from an initially malleable plant based sheet that is impregnated with meat, chicken, fish or jerky pieces or merely infused with flavors attractive to a pet.

[0029] The side edges 18 of the second sheet may be coextensive, i.e. aligned with the side edges 16 of the first sheet 10. The front edge 22 of the second sheet may overlap the front edge 20 of sheet 10.

[0030] Once the first and second sheets 10 and 12 as shown in Figure 1, are flattened out, they are then rolled up as shown in Figure 2 to form a cylinder shaped edible pet chew 14 having rolled ends 24 with interleaved layers of sheet 10 and

sheet 12 with aligned edges 16 and 18. The sheets 10 and 12 form an interleaved spiral shape in cross-section. The sheets 10 and 12 are rolled such that the sheet 10 forms the outer layer 26. The front edge 22 of sheet 12 by extending further than the front edge of edge 20 of sheet 10 forms a lip 28. The lips 28 project out of the seam 30 in the outer layer 26 adjacent the edge 20 of sheet 10. The cylinder shaped pet chew 14 is then allowed to dry to harden the composition forming the first sheet 10.

[0031] As shown in Figure 3, an alternate shaped pet chew 114 can be formed to more closely simulate an elongated bone with an elongated middle section 115 also referred to as a diaphysis and opposite simulated epiphyses 117 formed by knots 132 tied at each end 24 of the cylinder shaped assembly 14 as shown in Figure 2 before it's hardened. The alternately shaped edible pet chew 114 still has the same aligned edges 16, and 18 and the same lip 28 of the second sheet protruding out of seam 30 at the epiphyses 117 as well as therebetween is elongated middle section 115.

[0032] Another alternate embodiment composite sheet assembly 190 is shown in Figure 4 where instead of single sheet of jerky material is disposed on sheet 10, a plurality of elongated strips of jerky i.e. narrow sheets 112 are spaced apart onto sheet 10. The narrow sheets 112 each have a front edge 122 extending beyond edge 20 of sheet 10. The sheet assembly 190 is laid flat and then rolled in the same fashion as before to form the cylinder assembly 214 shown in Figure 5 that has at seam 30 a plurality of exposed lips 128 of the sheets 112. Again, this cylinder shape treat 214 may be dried and hardened as is or can be knotted in the same fashion as before to form the bone shaped pet treat 314 as shown in Figure 6 with the exposed lips 128 formed in the knot ends 132 as well as the elongated

middle section 115.

[0033] In a further embodiment, the elongated strips 112 may be laid transverse to what is shown in Figure 4 so that when the sheets 110 and 112 are rolled, they produce an edible pet chew with an end 432 as shown in Figure 7 with a solid lip 28 and a plurality of spaced sheets 112 within the outer layer 26 of sheet 10. Again, the cylinder may be allowed to dry and harden in this position or tied into a knot to form an edible pet chew that looks on the exterior substantially like the one shown in Figure 3.

[0034] It is foreseen that more than one first sheet 10 of the plant based material and more than one sheet 12 of the flavor material may be used. It is also foreseen that the plurality of sheets 10, 12 may be interlayered without rolling to form a flat rectangular or other shaped edible pet chew. The composite pet chew may also be folded into another shaped pet chew.

[0035] Referring now to Figure 8, a pet chew 414 has a three dimensional molded outer casing 410 of plant based material has an elongated bone-like shape and having cavities 415 traversing the longitudinal axis of the outer casing 410. Jerky material or other dried or cured animal flesh 412 is inserted into the cavities 415. The outer casing 410 may be injected molded with the cavities 415 formed therein. Preferably, the exposed ends 417 of the jerky 412 is flush or slightly recessed in cavities 415 and the jerky is tightly packed in hole 415 to deter the jerky from being easily pulled out of the hole 415 such that the dog will chew through the outer shell 410 to access the jerky 412.

[0036] Another molded form is shown in Figure 9 where the pet chew 514 has the molded outer shell 510 of plant based material with a longitudinal extending cavity 515 filler with jerky material 512. The molded cavity 510 may have a clover

leaf cross-sectional configuration as shown.

[0037] In a modified embodiment shown in Figure 10, the outer casing 610 of plant based material may have a three ball configuration surrounding longitudinal cavity 615 filled with jerky 612.

[0038] In this fashion, by providing an edible pet chew with a hardened and chewable outer wrap or casing made from a plant based material instead of rawhide, one avoids all the concerns whether real or perceived regarding the use of rawhide. Secondly, the plant based material has inherent nutrition and may be easily provided with added nutritional ingredients such as vitamins and minerals if desired.

[0039] Furthermore, the second sheet or inserts, whether it will be a natural jerky, jerky composite or plant based layer with flavor, provides a taste incentive for the pet to continue to chew and not lose interest in the pet chew after only a short period of time.

[0040] Other variations and modifications are possible.

CLAIMS

1. An edible pet chew comprising:
a first sheet of hardened substantially chewy plant based material;
a second sheet of a chewy edible material;
said first and second sheets superimposed against each other into a composite assembly with the first sheet and second sheet forming alternating layers in the composite assembly; and said sheets being initially thin enough and malleable enough for flexing, folding and rolling into a shape.

2. An edible pet chew as defined in claim 1 wherein:
said first sheet of plant based material includes a plant protein composition; and
said first sheet being wrapped about said second sheet.

3. An edible pet chew as defined in claim 2 wherein:
said plant protein composition being extrudable to form said first sheet.

4. An edible pet chew as defined in claim 1 further comprising:
said first and second sheets wrapped into a roll form to form an interleaved spiral shape in cross-section, with the first sheet substantially forming a hardened layer of said edible pet chew.

5. An edible pet chew as defined in claim 4 further comprising:

said edible pet chew having a tied knot at each end thereof.

6. An edible pet chew as defined in claim 1 further comprising:

said second sheet being a plant based material having flavor infused therein.

7. An edible pet chew as defined in claim 1 further comprising:

said second sheet formed from a meat composite bound with a binder.

8. An edible pet chew as defined in claim 1 further comprising:

said second sheet formed from a natural dried meat jerky.

9. A method of forming a rawhide free edible pet chew with two edible sheets, said

method comprising:

providing a plant based mixture that is extrudable and initially malleable;

forming said initially malleable plant based mixture into a first sheet;

providing a second sheet made from flavored digestible and edible material;

placing said first and second sheets in superimposed relation and rolling said first and second sheets up to have said first sheet and second sheet forming alternating layers; and

hardening said first sheet after it is wrapped with said second sheet such that said first sheet provides a hardened chewable wrap for extended chew time relative to normal pet treats.

10. A method as defined in claim 9 further comprising:

tying the ends of said edible pet chew into knots before hardening said first sheet.

11. A method as defined in claim 10 wherein:

said first sheet comprising a plant protein composition; and

said second sheet being a meat based material.

12. A method as defined in claim 11 wherein:

said first sheet comprising from a plant protein and gelatin composition; and

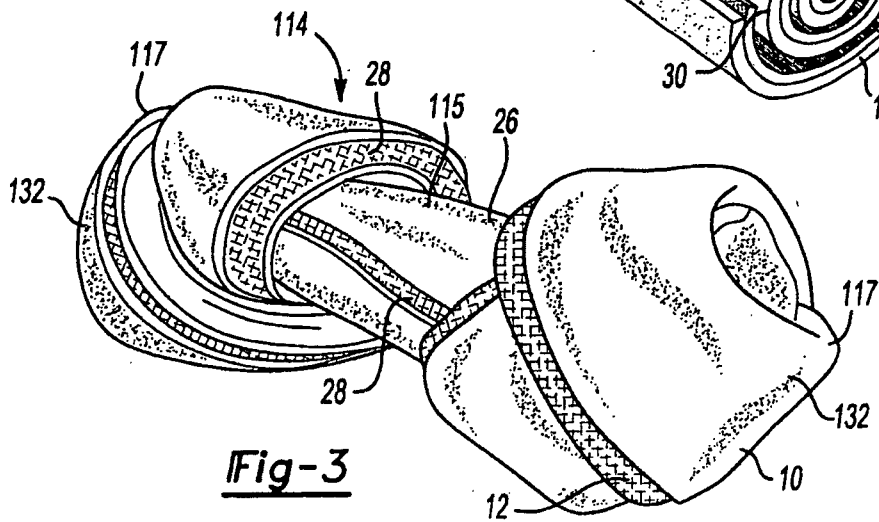
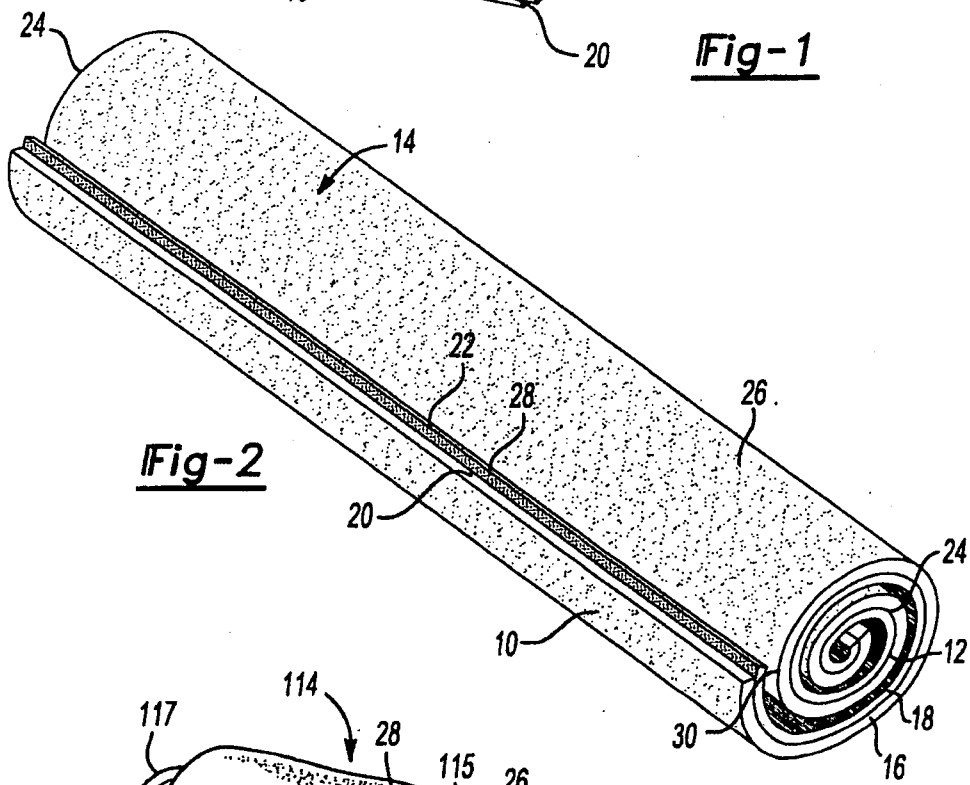
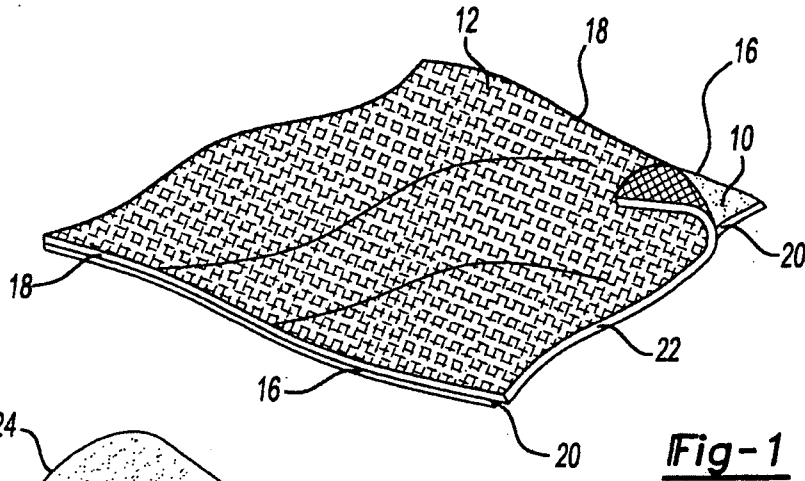
said second sheet comprising a meat jerky.

13. A method as defined in claim 12 wherein:

wrapping said first sheet about said second sheet to form an outer layer of said edible pet
chew.

14. A method as defined in claim 9 wherein:

said first sheet is wrapped about said second sheet to form an outer layer of said edible pet
chew.



Patent Agents
Smart & Biggar

Fig-4

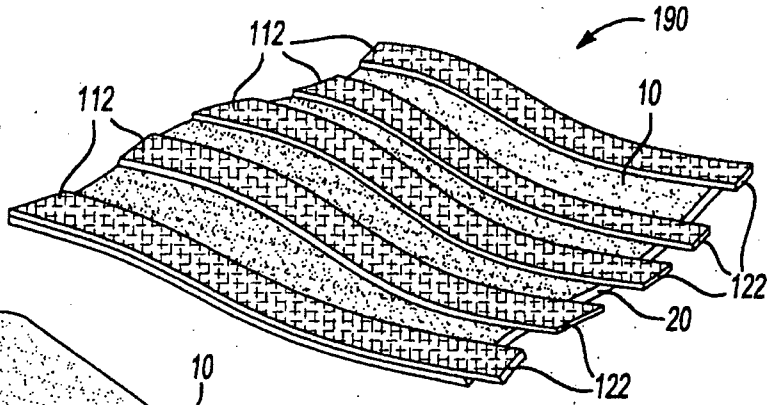


Fig-5

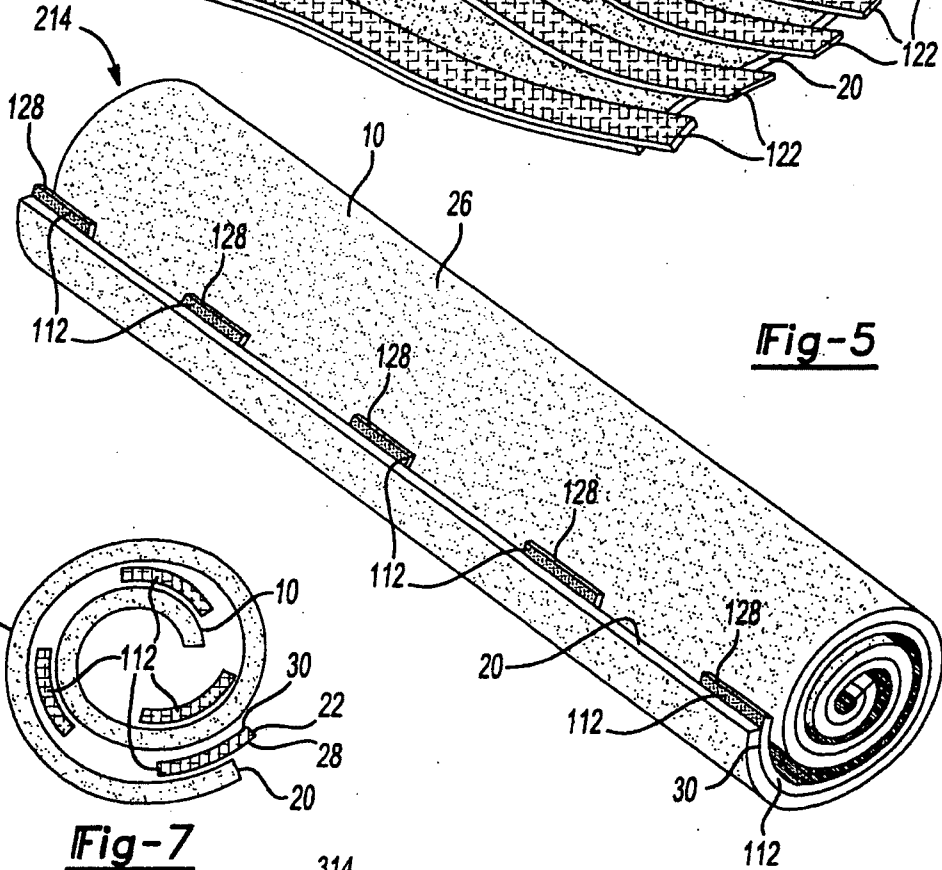


Fig-7

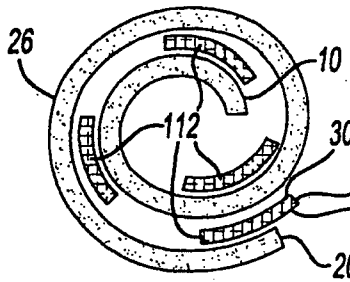
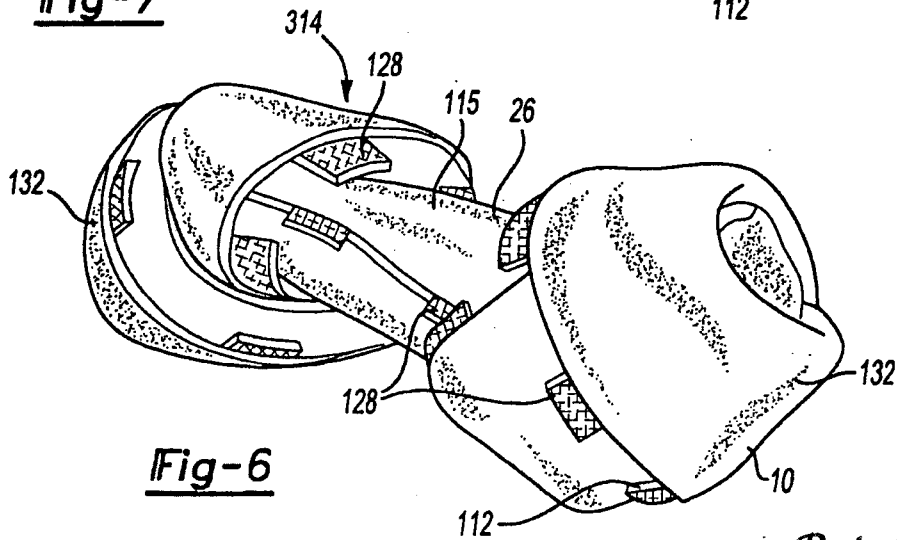
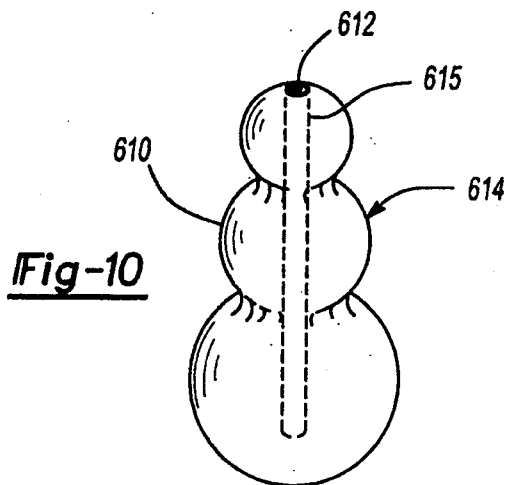
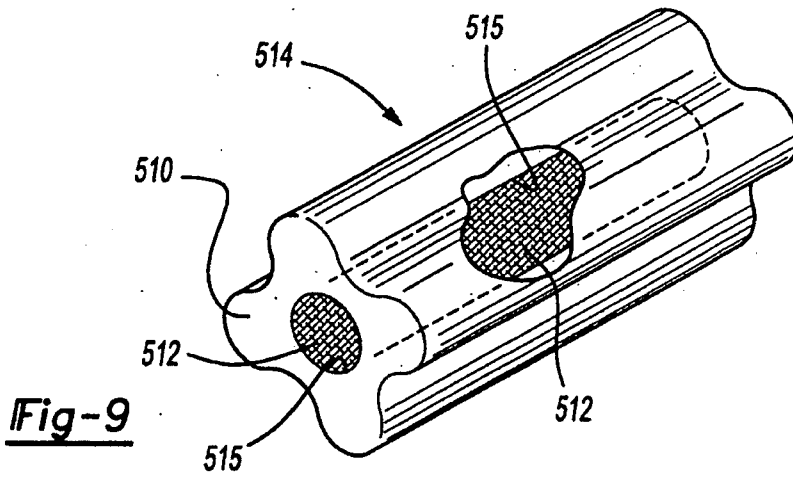
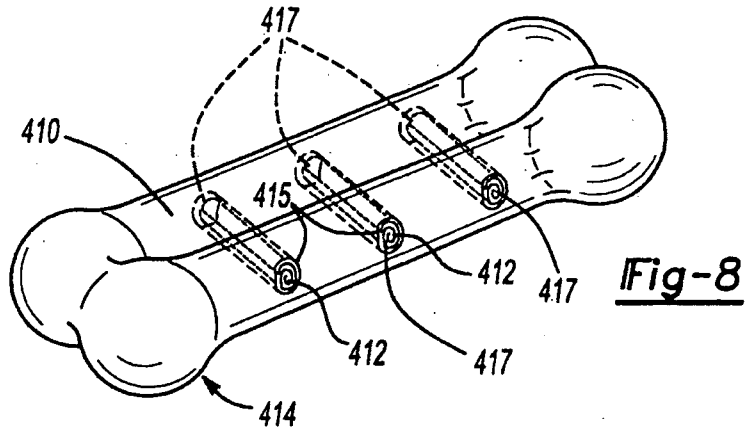


Fig-6



Patent Agents
Smart & Biggar



Patent Agents
Smart & Biggar

