



US00D766722S

(12) **United States Design Patent** (10) **Patent No.:** **US D766,722 S**
Schlies et al. (45) **Date of Patent:** **** Sep. 20, 2016**

- (54) **CONTAINER**
- (71) Applicant: **Graham Packaging Company, L.P.**,
York, PA (US)
- (72) Inventors: **Anthony J. Schlies**, York, PA (US);
Justin A. Howell, Mechanicsburg, PA (US)
- (73) Assignee: **Graham Packaging Company, L.P.**,
York, PA (US)
- (**) Term: **14 Years**
- (21) Appl. No.: **29/495,608**
- (22) Filed: **Jul. 2, 2014**

Related U.S. Application Data

- (63) Continuation of application No. 29/408,038, filed on Dec. 6, 2011.
- (51) **LOC (10) Cl.** **09-01**
- (52) **U.S. Cl.**
USPC **D9/516**; D9/552
- (58) **Field of Classification Search**
USPC D9/658, 667, 516, 537-541, 549, 552,
D9/556, 558, 565, 574-575; 215/379,
215/381-385; 220/660, 696
See application file for complete search history.

References Cited

U.S. PATENT DOCUMENTS

| | | | | |
|--------------|---------|----------------|-------|--------|
| D20,059 S * | 7/1890 | Irwin | | D9/552 |
| D56,029 S | 8/1920 | Quigg | | |
| D100,342 S | 7/1936 | Steuernagle | | |
| D167,345 S * | 7/1952 | Fuerst | | D9/552 |
| D174,646 S * | 5/1955 | Lorenzen | | D9/552 |
| D185,296 S | 5/1959 | Mas | | |
| D216,361 S * | 12/1969 | Pappas, Jr. | | D9/538 |
| D264,433 S * | 5/1982 | Pettengill | | D7/615 |
| D264,434 S * | 5/1982 | Pettengill | | D7/615 |
| D286,617 S | 11/1986 | Goodwin et al. | | |

| | | | | |
|----------------|---------|-----------------|-------|------------------------|
| 5,593,056 A * | 1/1997 | Mero | | B65D 1/0223 215/379 |
| D380,356 S * | 7/1997 | Husted | | D7/679 |
| 5,704,504 A | 1/1998 | Bueno | | |
| D407,317 S * | 3/1999 | Lang | | D9/538 |
| D416,198 S | 11/1999 | Lindsay et al. | | |
| D423,722 S * | 4/2000 | Lang | | D28/76 |
| D442,474 S | 5/2001 | Piccioli et al. | | |
| D479,131 S * | 9/2003 | Warner | | D9/539 X |
| D489,268 S | 5/2004 | Wang | | |
| D495,601 S * | 9/2004 | Klemm | | D9/516 |
| 7,198,165 B2 * | 4/2007 | Zhang | | B65D 79/005 215/381 |
| D548,095 S | 8/2007 | McGuinness | | |
| D551,986 S * | 10/2007 | Rubin | | D9/552 |

(Continued)

OTHER PUBLICATIONS

U.S. Appl. No. 29/408,038, filed Dec. 6, 2011.

(Continued)

Primary Examiner — Carol P Rademaker
(74) *Attorney, Agent, or Firm* — Baker Botts L.L.P.

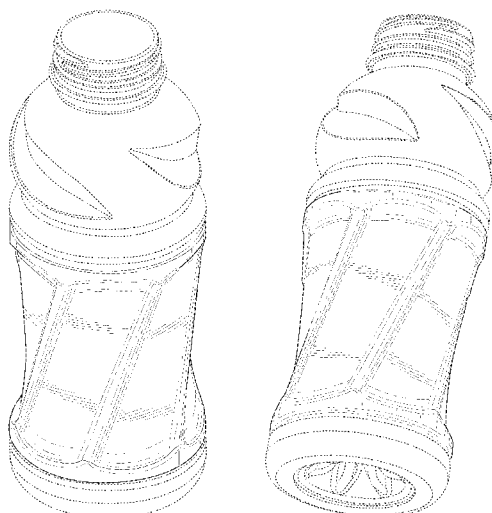
(57) **CLAIM**

The ornamental design for a container, as shown and described.

DESCRIPTION

FIG. 1 is a top, front, right side perspective view of a container showing our new design; FIG. 2 is a bottom, front, left side perspective view thereof; FIG. 3 is a front elevational view thereof; FIG. 4 is a rear elevational view thereof; FIG. 5 is a right side elevational view thereof; FIG. 6 is a left side elevational view thereof; FIG. 7 is a top plan view thereof; and, FIG. 8 is a bottom plan view thereof. The broken lines shown in the drawings are included for the purpose of illustrating portions of the container that form no part of the claimed design.

1 Claim, 7 Drawing Sheets



(56)

References Cited

U.S. PATENT DOCUMENTS

D599,672 S 9/2009 Carison et al.
 D600,559 S 9/2009 Lepoitevin
 7,604,140 B2 10/2009 Pritchett et al.
 D604,169 S 11/2009 Melossi
 D616,762 S * 6/2010 Caldwell D9/538
 D623,070 S 9/2010 Jamison et al.
 D623,953 S * 9/2010 Darr D9/516
 8,113,368 B2 2/2012 Oguchi et al.
 D656,833 S 4/2012 Perez
 D662,824 S 7/2012 Perez
 D675,535 S 2/2013 Nomura et al.
 D677,574 S 3/2013 Barnard et al.
 D677,575 S 3/2013 Barnard et al.
 D689,368 S 9/2013 Kim
 D689,773 S 9/2013 Nomura et al.
 8,544,667 B2 * 10/2013 Ozawa B65D 1/0223
 215/382 X

D696,949 S 1/2014 Reeber et al.
 8,870,017 B2 * 10/2014 Reeber B65D 1/0207
 220/669 X
 8,881,922 B2 * 11/2014 Schlies B65D 79/005
 215/383 X
 D726,386 S * 4/2015 Davidian D34/1
 D732,969 S * 6/2015 Berard D9/565 X
 D748,327 S * 1/2016 Taha D27/163
 2007/0068894 A1 3/2007 Iwashita et al.
 2010/0032405 A1 2/2010 Ozawa et al.
 2010/0089865 A1 * 4/2010 Oguchi B65D 1/42
 215/382

OTHER PUBLICATIONS

U.S. Appl. No. 29/408,038, Jul. 2, 2014 Issue Fee payment.
 U.S. Appl. No. 29/408,038, Jul. 1, 2014 Notice of Allowance.

* cited by examiner

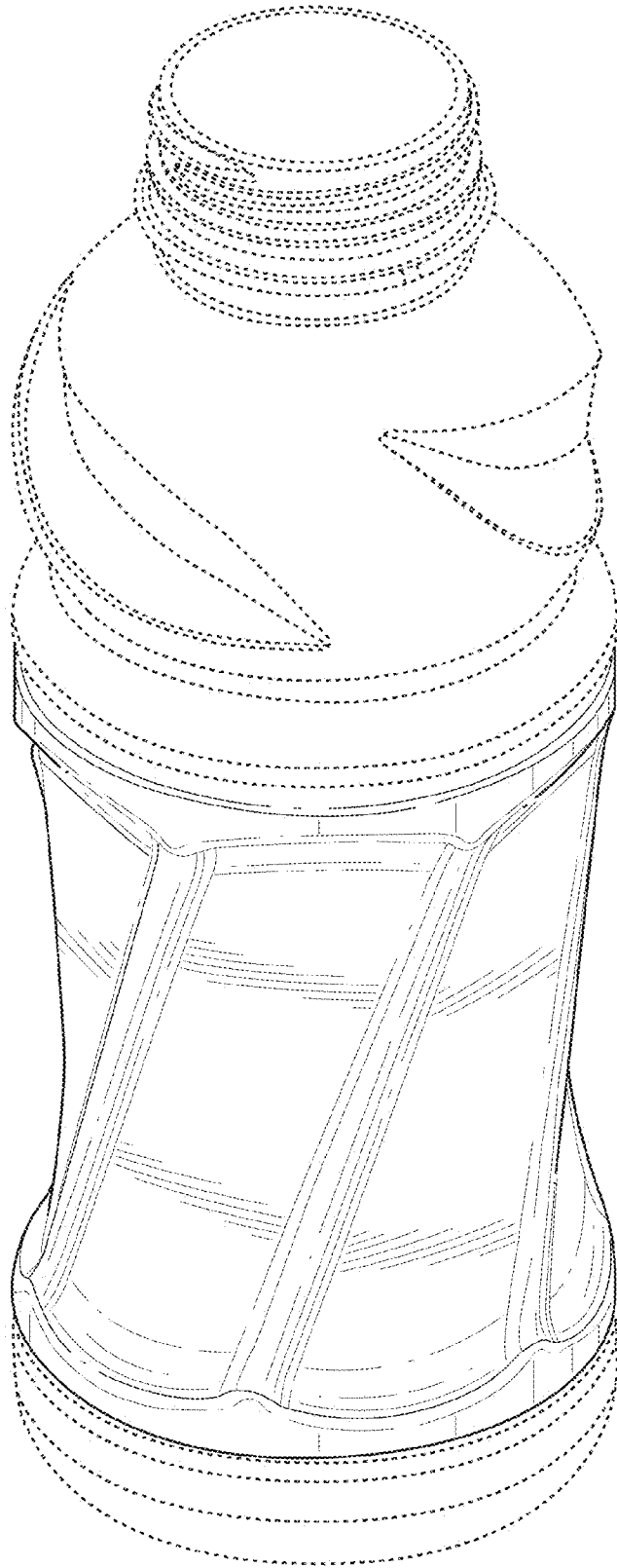


FIG. 1

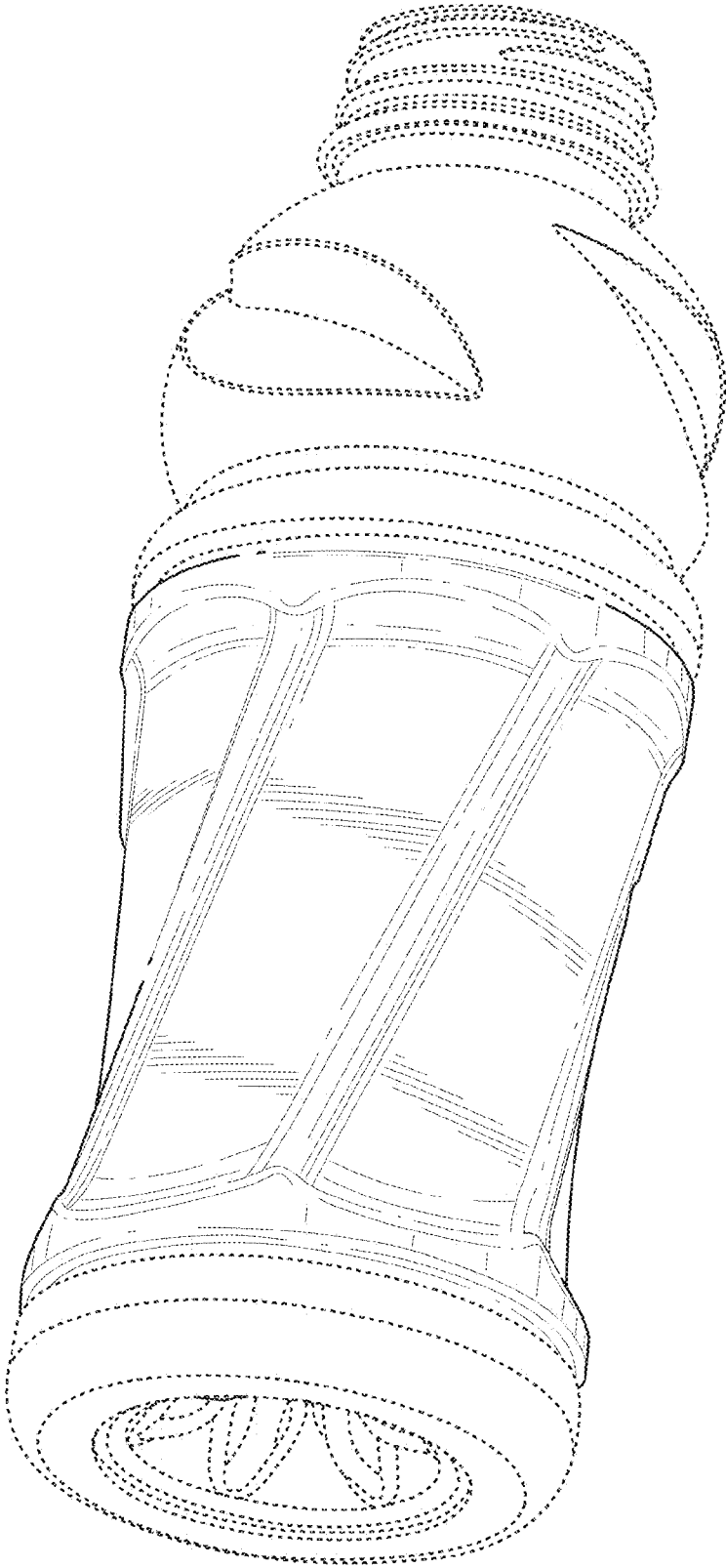


FIG. 2

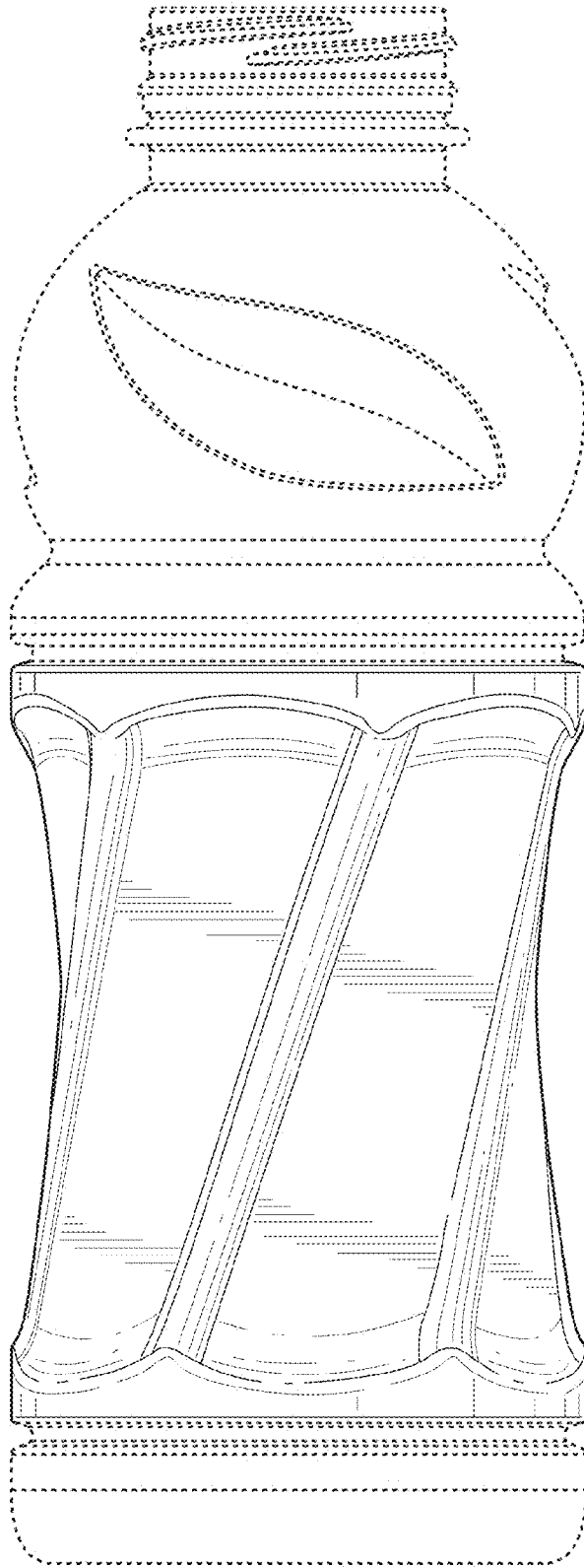


FIG. 3

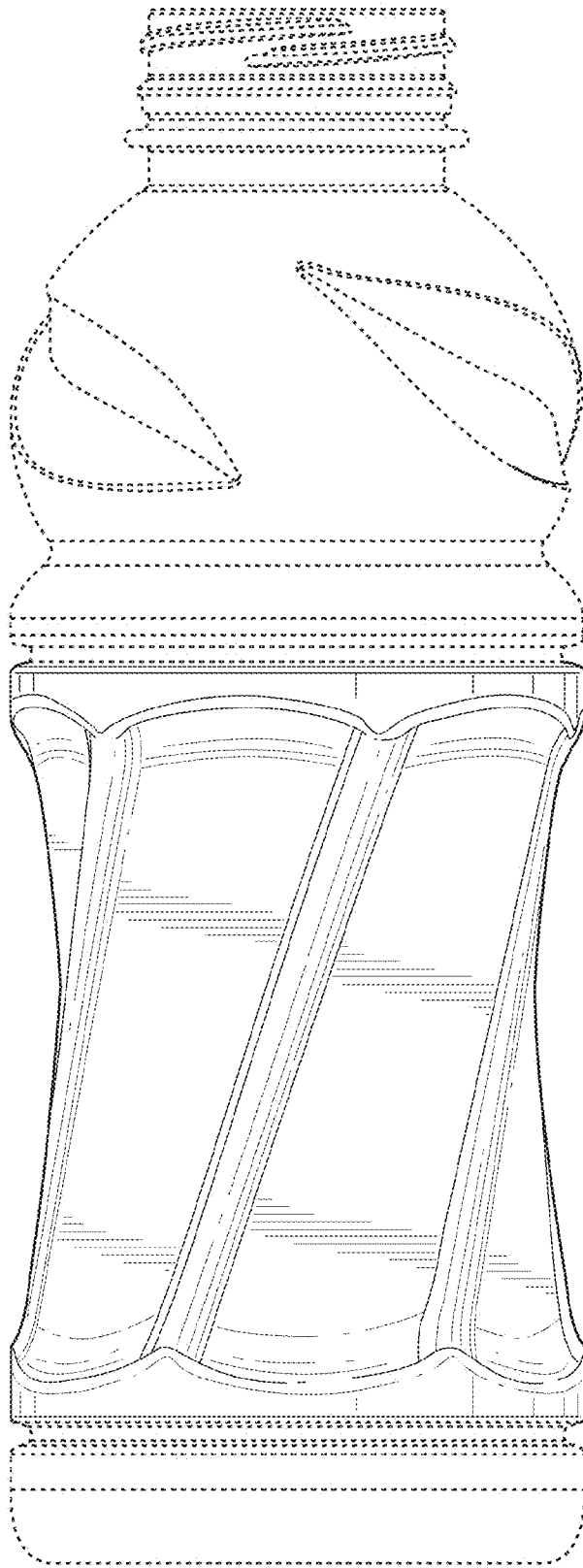


FIG. 4

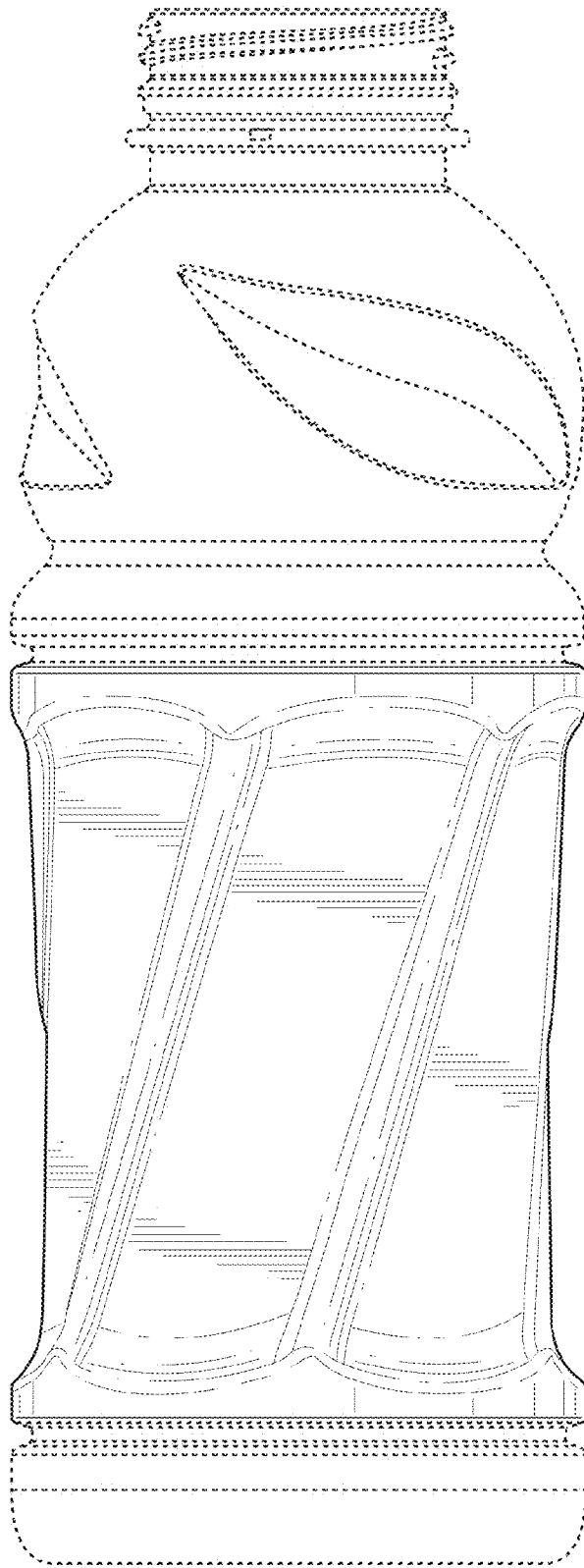


FIG. 5

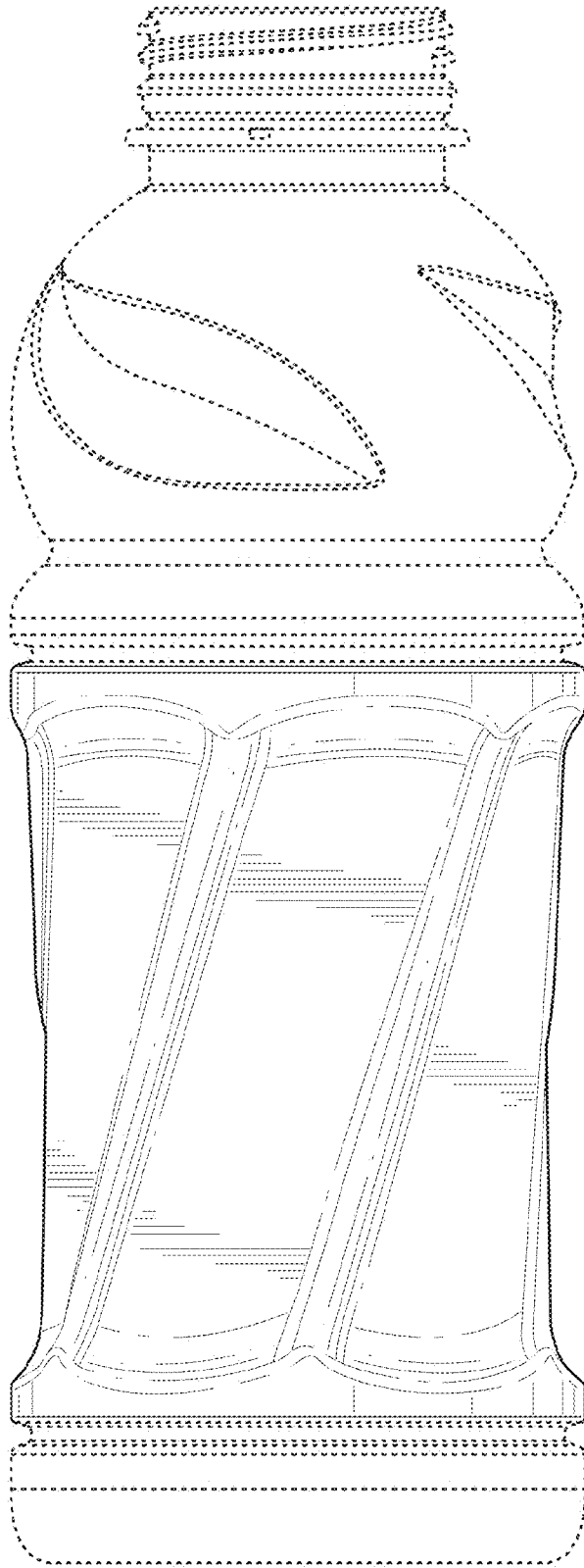


FIG. 6

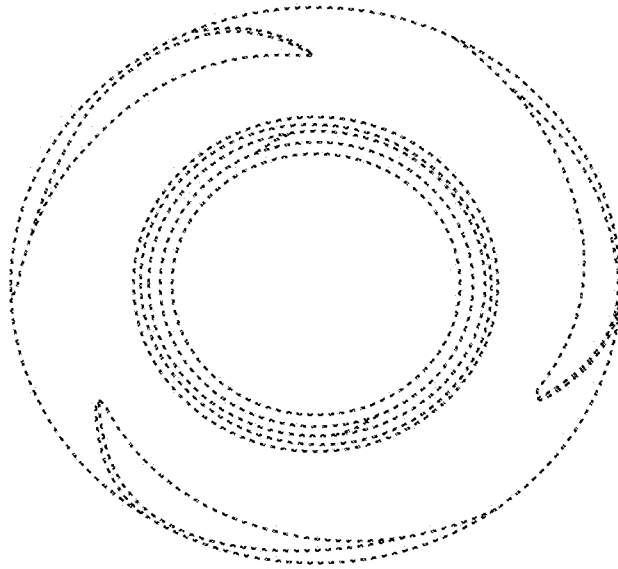


FIG. 7

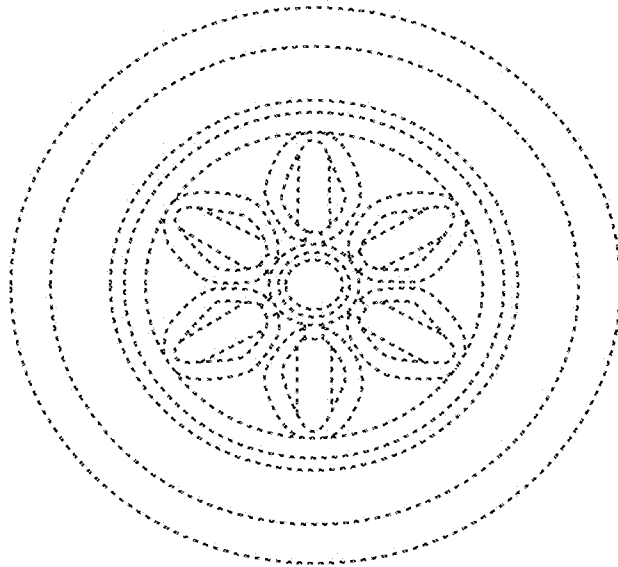


FIG. 8