



US00D764758S

(12) **United States Design Patent**  
**Glazer**

(10) **Patent No.:** **US D764,758 S**

(45) **Date of Patent:** **\*\* Aug. 30, 2016**

(54) **UPPER BODY GARMENT**

(71) Applicant: **Kathryn M. Glazer**, Haddonfield, NJ  
(US)

(72) Inventor: **Kathryn M. Glazer**, Haddonfield, NJ  
(US)

(\*\*) Term: **14 Years**

(21) Appl. No.: **29/490,861**

(22) Filed: **May 14, 2014**

(51) **LOC (10) Cl.** ..... **02-02**

(52) **U.S. Cl.**

USPC ..... **D2/750**

(58) **Field of Classification Search**

USPC ..... D2/700-703, 707, 709, 720, 739-741,  
D2/749-750, 754-756, 828, 833, 839-841,  
D2/845, 847-850; 2/75, 77, 104-105, 106,  
2/113-115, 118, 121, 125-126, 128

CPC ..... A41D 1/02; A41D 1/04; A41D 1/08;  
A41D 1/18; A41D 1/22; A41D 27/00;  
A41D 27/28; A41D 13/00; A41D 13/002;  
A41D 13/0015; A41D 2400/20; A41D  
2400/38; A41D 2600/10; A41D 2600/20;  
A41B 1/00; A41B 1/06; A41B 1/08; A41B  
1/10; A41B 1/18; A41B 1/22

See application file for complete search history.

(56) **References Cited**

**U.S. PATENT DOCUMENTS**

D279,937 S \* 8/1985 Cohen ..... D2/717  
D457,709 S \* 5/2002 Davis ..... D2/717

D517,282 S \* 3/2006 Tanner ..... D2/840  
D525,412 S \* 7/2006 O'Mahony ..... D2/717  
D614,834 S \* 5/2010 Rhodes ..... D2/717  
D689,258 S \* 9/2013 DeLeon ..... D2/717  
D698,127 S \* 1/2014 Cheatham ..... D2/847  
D709,269 S \* 7/2014 Kenney ..... D2/717  
D710,071 S \* 8/2014 Knight ..... D2/862  
D723,248 S \* 3/2015 Pankhurst ..... D2/717  
D732,270 S \* 6/2015 Murphy ..... D2/717  
D746,552 S \* 1/2016 Brown ..... D2/717

\* cited by examiner

*Primary Examiner* — Abraham Bahta

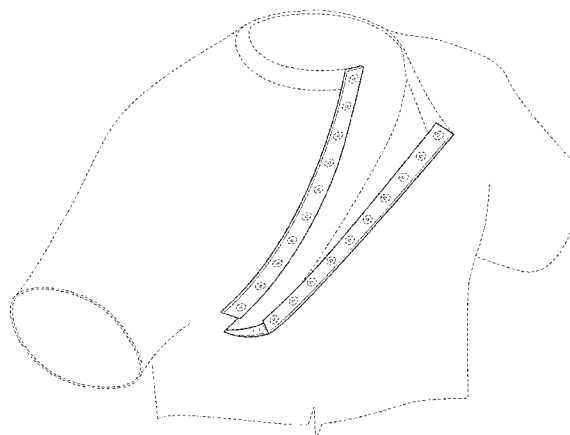
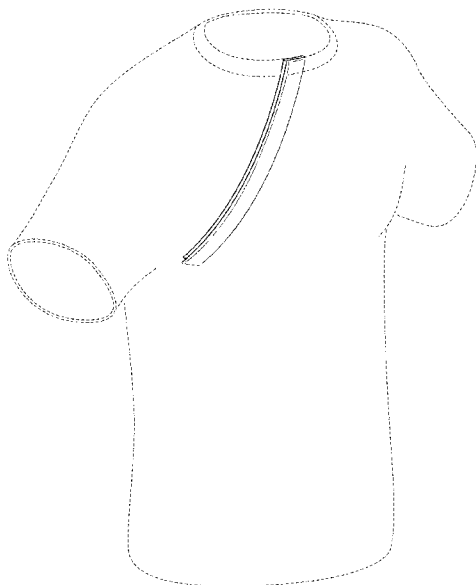
(57) **CLAIM**

The ornamental design for an upper body garment, as shown and described.

**DESCRIPTION**

FIG. 1 is a perspective view of the upper body garment showing my new design;  
FIG. 2 is a front plan view thereof;  
FIG. 3 is a rear plan view thereof;  
FIG. 4 is a left side view thereof;  
FIG. 5 is a right side view thereof;  
FIG. 6 is a top view thereof;  
FIG. 7 is a bottom view thereof; and,  
FIG. 8 is a perspective view of the upper body garment with the releasable opening in an open position.  
The broken lines illustrate environmental structure and form no part of the claimed design.

**1 Claim, 6 Drawing Sheets**



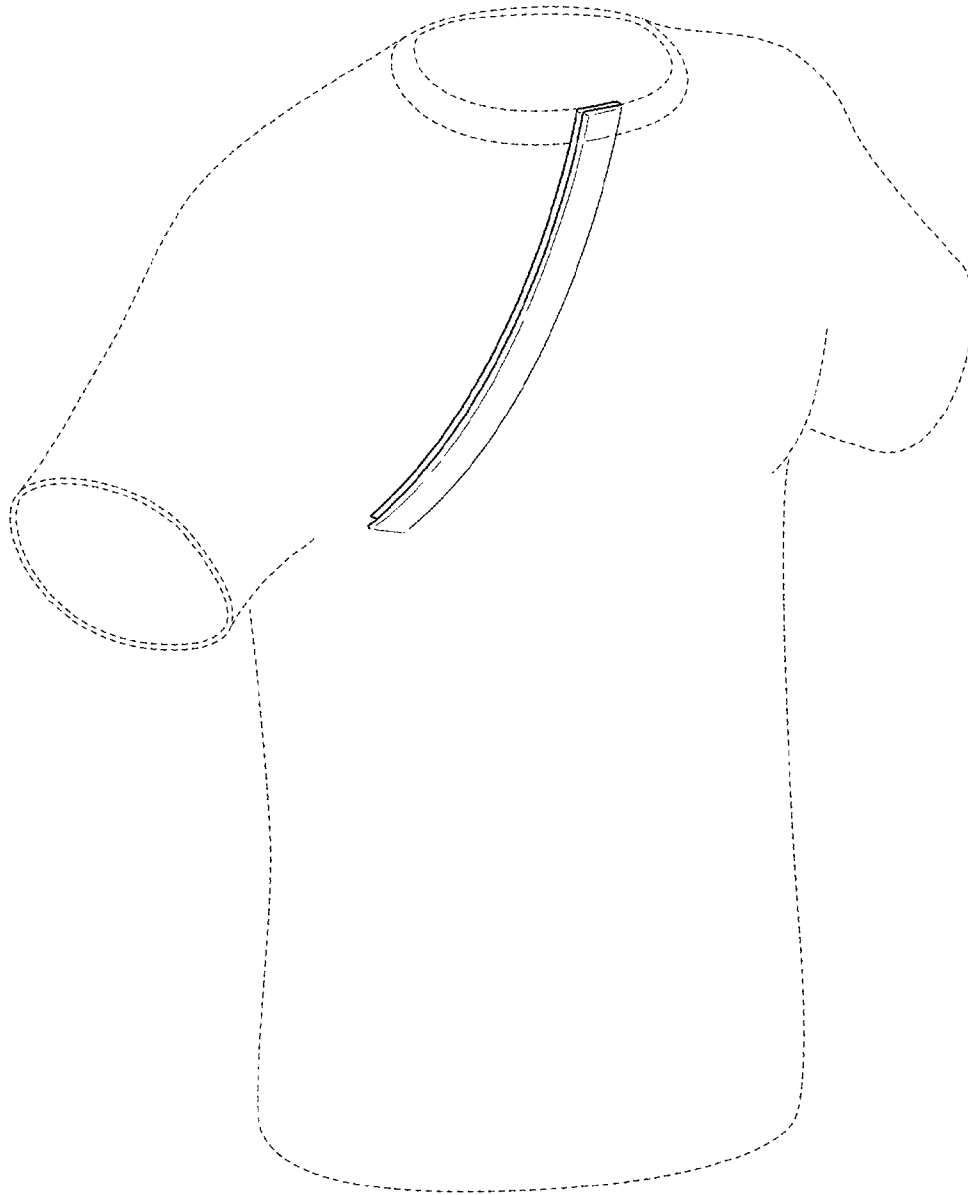


FIG. 1

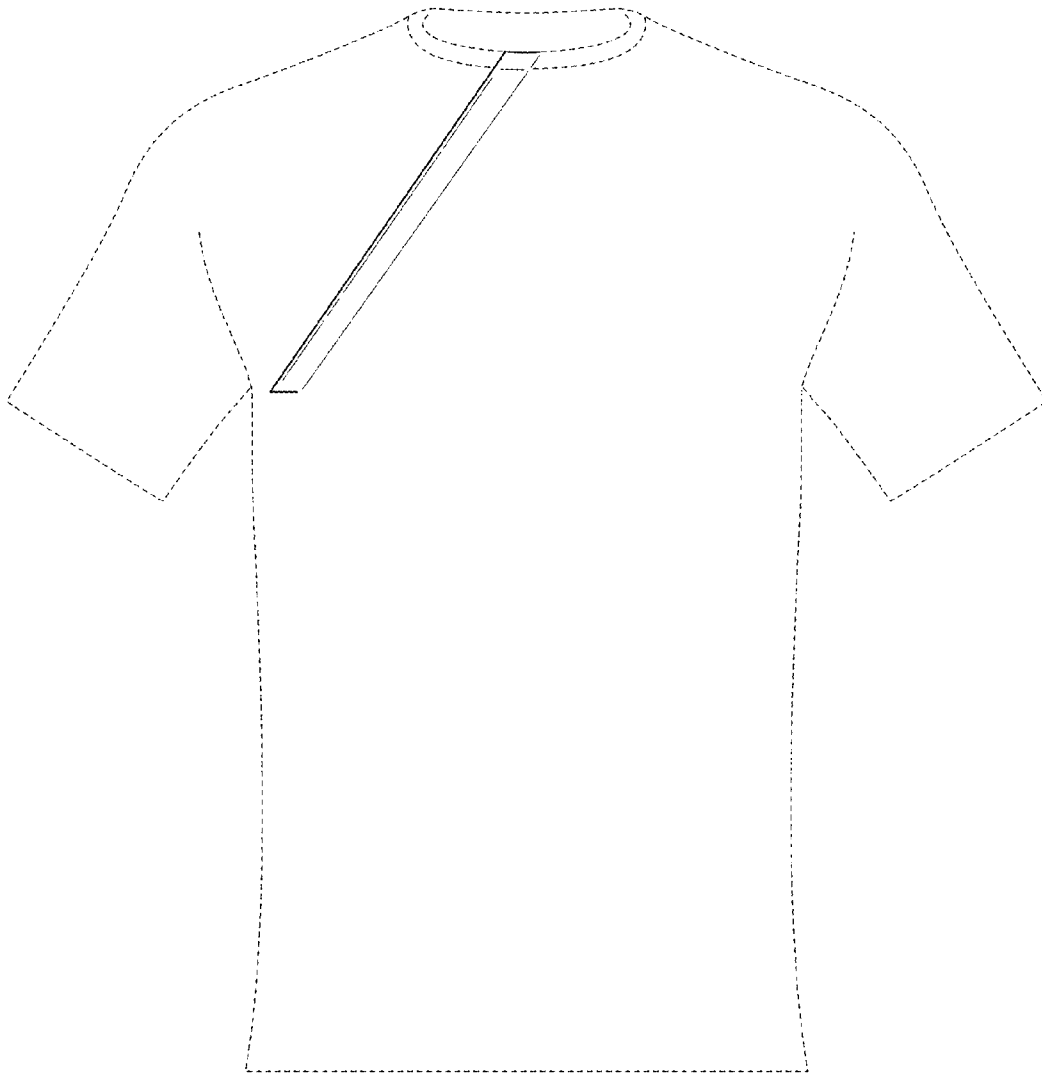


FIG. 2

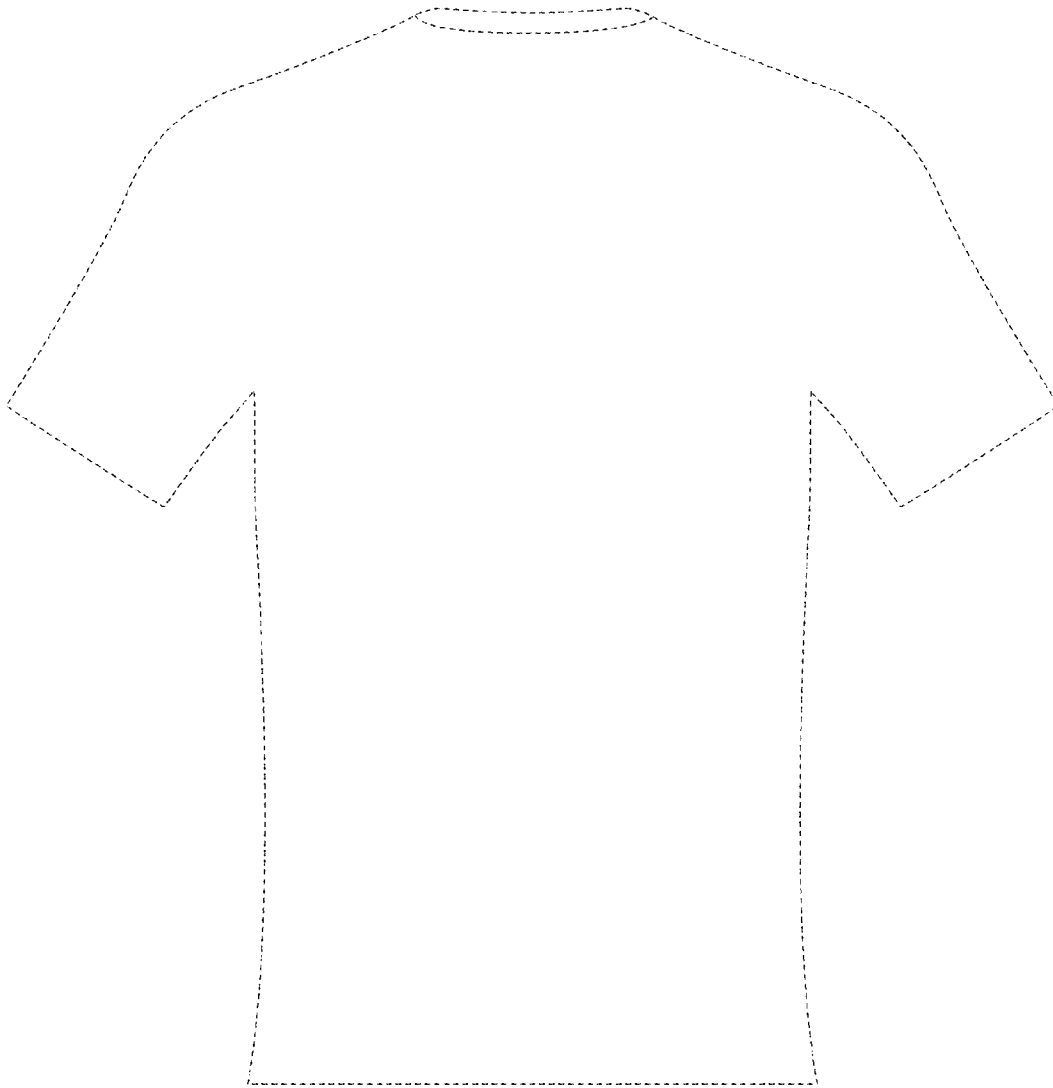


FIG. 3

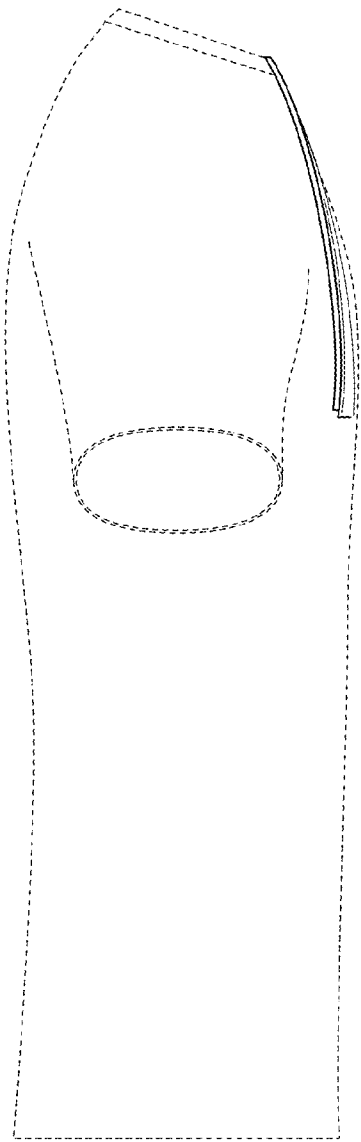


FIG. 4

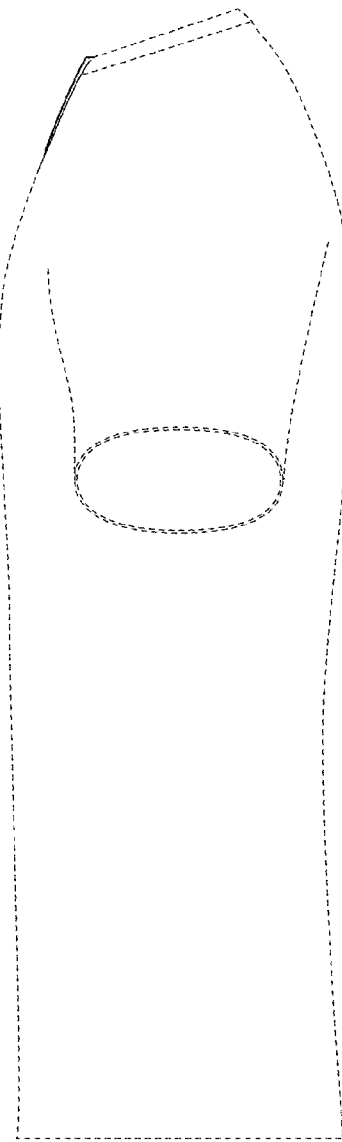


FIG. 5

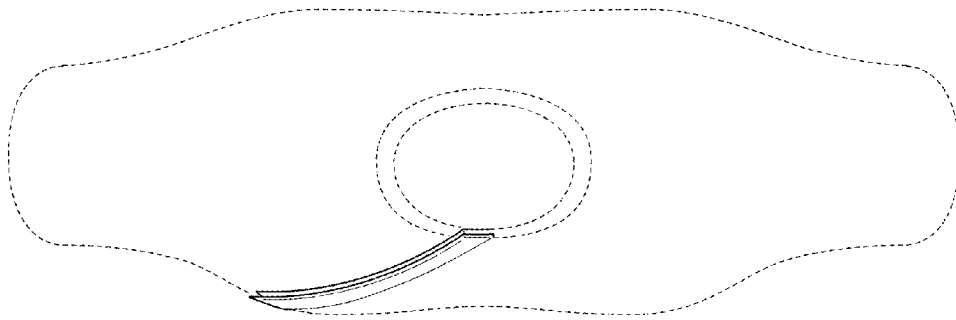


FIG. 6

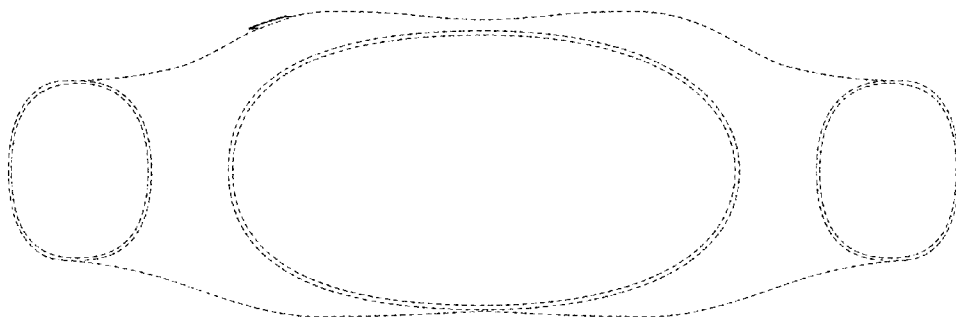


FIG. 7

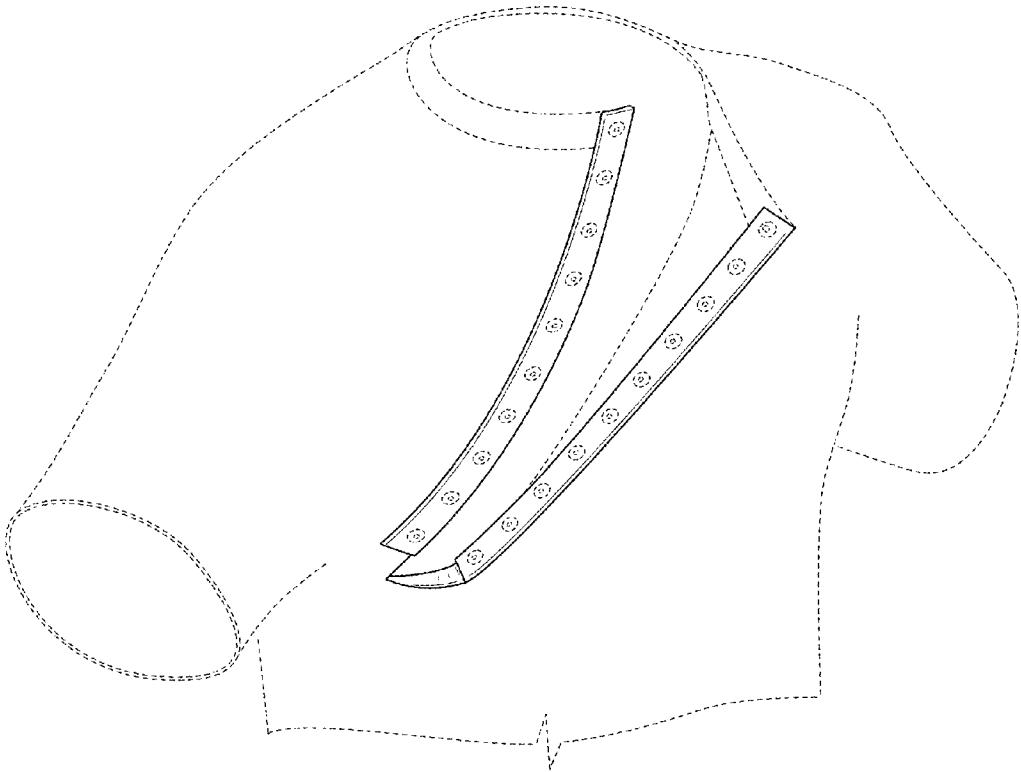


FIG. 8