



US00D950669S

(12) **United States Design Patent**
Uğur

(10) **Patent No.:** **US D950,669 S**

(45) **Date of Patent:** **** May 3, 2022**

(54) **FIREARM**

(71) Applicant: **HUSAN METAL TEKNOLOJILERI
SANAYI TICARET ANONIM
SIRKETI**, Konya (TR)

(72) Inventor: **Erol Uğur**, Konya (TR)

(**) Term: **15 Years**

(21) Appl. No.: **29/677,151**

(22) Filed: **Jan. 17, 2019**

(51) **LOC (13) Cl.** **22-01**

(52) **U.S. Cl.**
USPC **D22/103; D22/108**

(58) **Field of Classification Search**
USPC D22/100, 101, 102, 103, 104, 108-111;
D21/574

CPC F41A 5/18; F41A 5/28; F41A 21/28
See application file for complete search history.

(56) **References Cited**

U.S. PATENT DOCUMENTS

D699,807	S *	2/2014	Lee	D22/108
D719,631	S *	12/2014	Ferko	D22/103
D745,103	S *	12/2015	Corsi	D22/103
9,217,617	B1 *	12/2015	Mapes	F41A 17/38
D749,181	S *	2/2016	Hu	D22/103
D787,619	S *	5/2017	Young	D22/103
D819,765	S *	6/2018	Kafka	D22/103
D853,516	S *	7/2019	Ozaysin	D22/103
11,041,687	B2 *	6/2021	Wheeler	F41A 5/18
2014/0360076	A1 *	12/2014	Zamlinsky	F41C 23/22 42/75.03
2017/0131051	A1 *	5/2017	Albury	F41C 23/00
2018/0195822	A1 *	7/2018	Jonsson	F41A 3/66
2020/0240737	A1 *	7/2020	Wheeler	F41A 21/38

OTHER PUBLICATIONS

Personal Defense World website, EAA Introduces 12-Gauge MKA 1923 Bullpup Shotgun, Publication date Aug. 20, 2018, [site visited Dec. 28, 2021]. Available on the Internet URL <https://www.personaldefenseworld.com/2018/08/mka-1923-bullpup-shotgun/> (Year: 2018).*

American Rifleman website, Tested: EAA MKA 1923 Bullpup Shotgun, Publication date Jan. 28, 2019, [site visited Dec. 28, 2021]. Available on the Internet URL <https://www.americanrifleman.org/content/tested-eaa-mka-1923-bullpup-shotgun/> (Year: 2019).*

* cited by examiner

Primary Examiner — S. Bryan Reinholdt, Jr.

(74) *Attorney, Agent, or Firm* — Egbert, McDaniel & Swartz, PLLC

(57) **CLAIM**

The ornamental design for a firearm, as shown and described.

DESCRIPTION

FIG. 1 is a left side view of a firearm showing my new design.

FIG. 2 is a right side view thereof;

FIG. 3 is an upper left side perspective view thereof;

FIG. 4 is a first upper right side perspective view thereof;

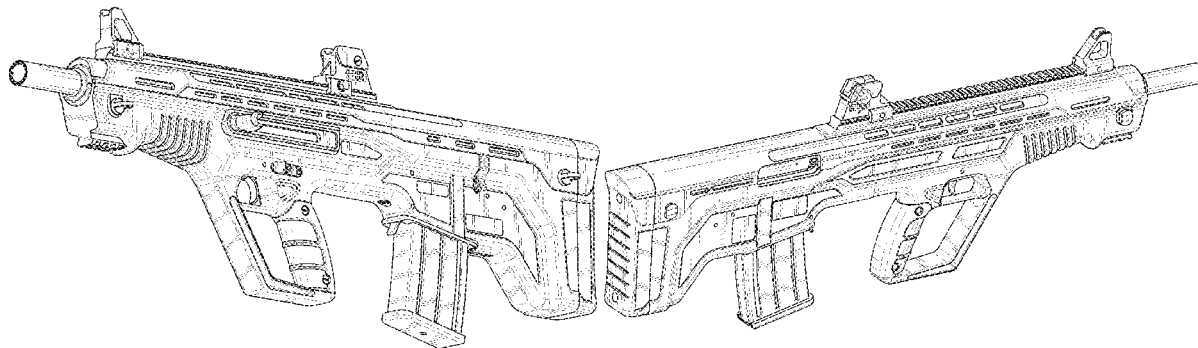
FIG. 5 is a lower right side perspective view thereof;

FIG. 6 is a first lower left side perspective view thereof;

FIG. 7 is a second lower left side perspective view thereof; and,

FIG. 8 is a second upper right side perspective view thereof.

1 Claim, 8 Drawing Sheets



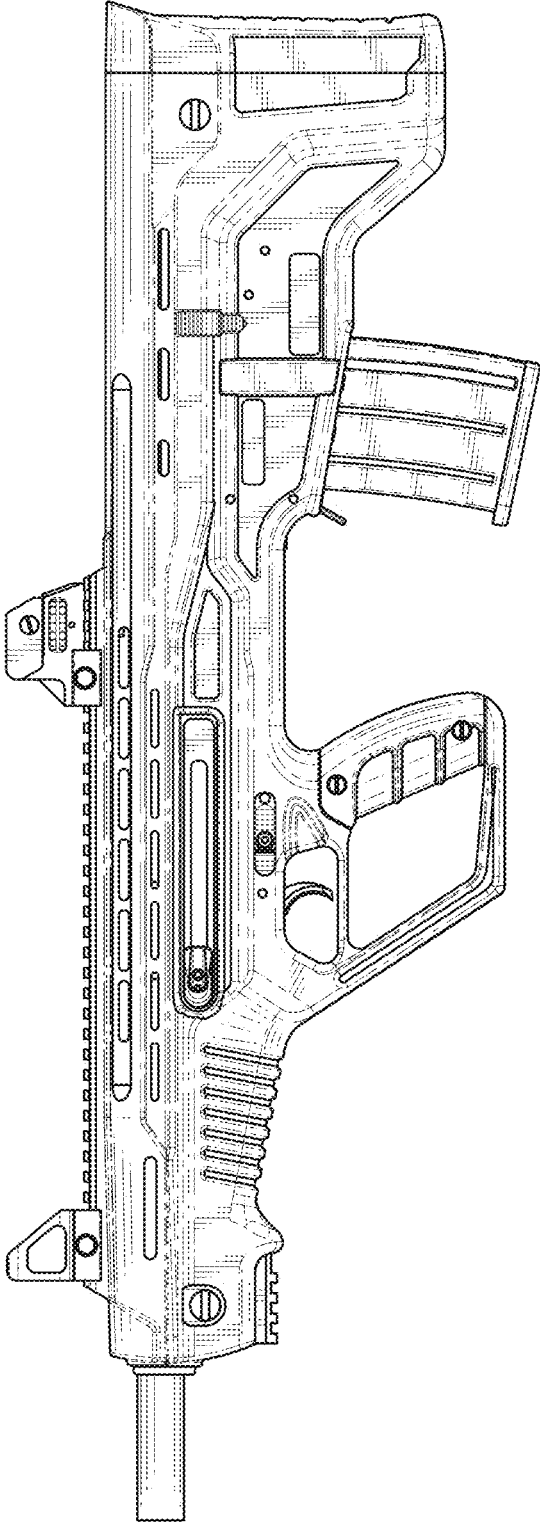


FIG. 1

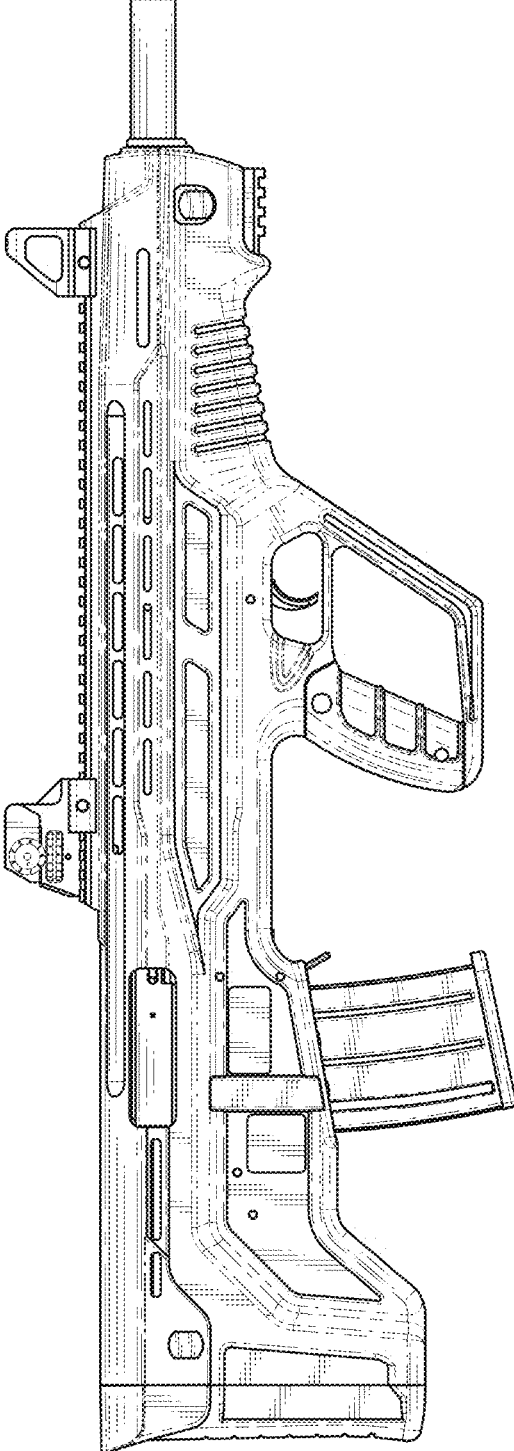


FIG. 2

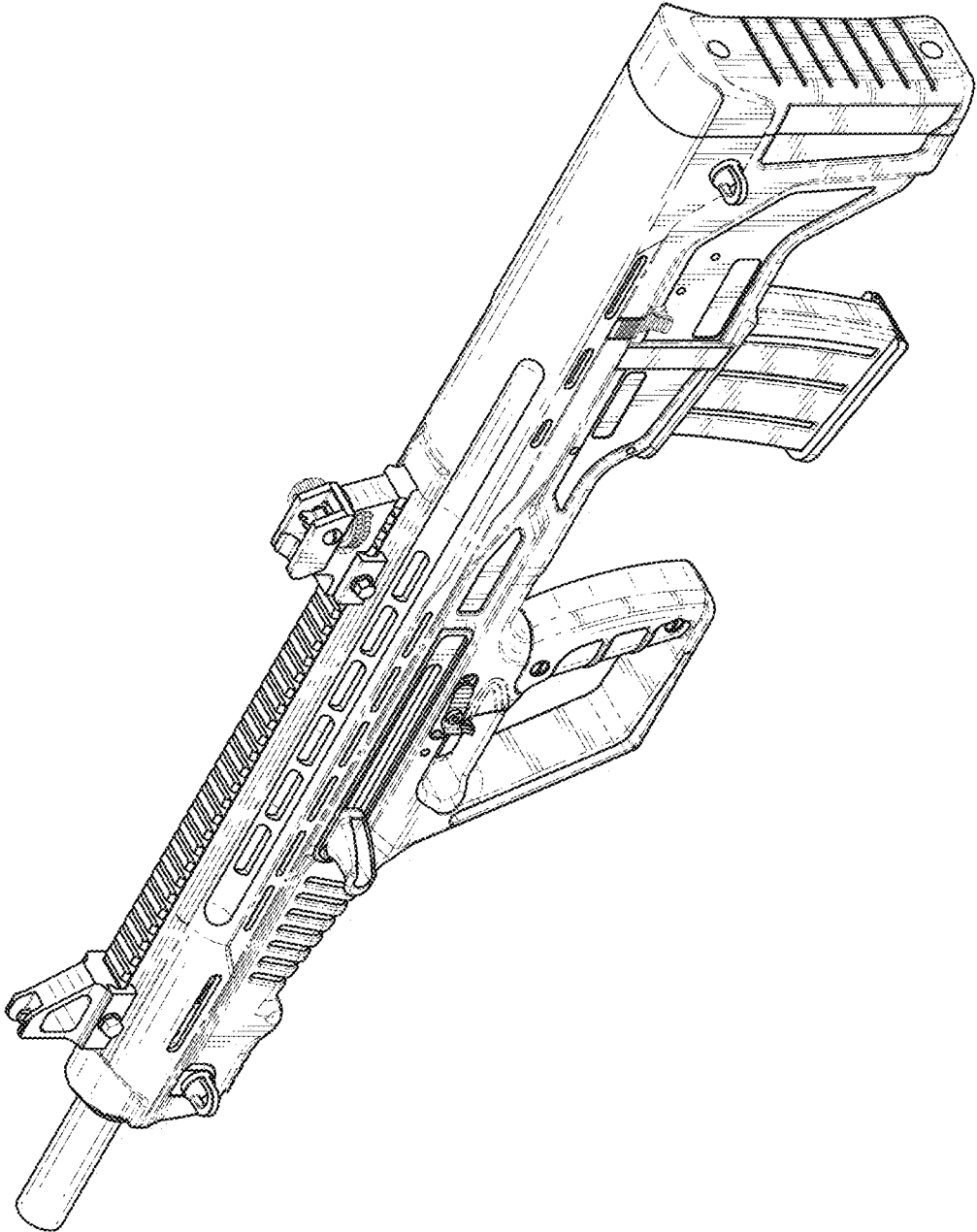


FIG. 3

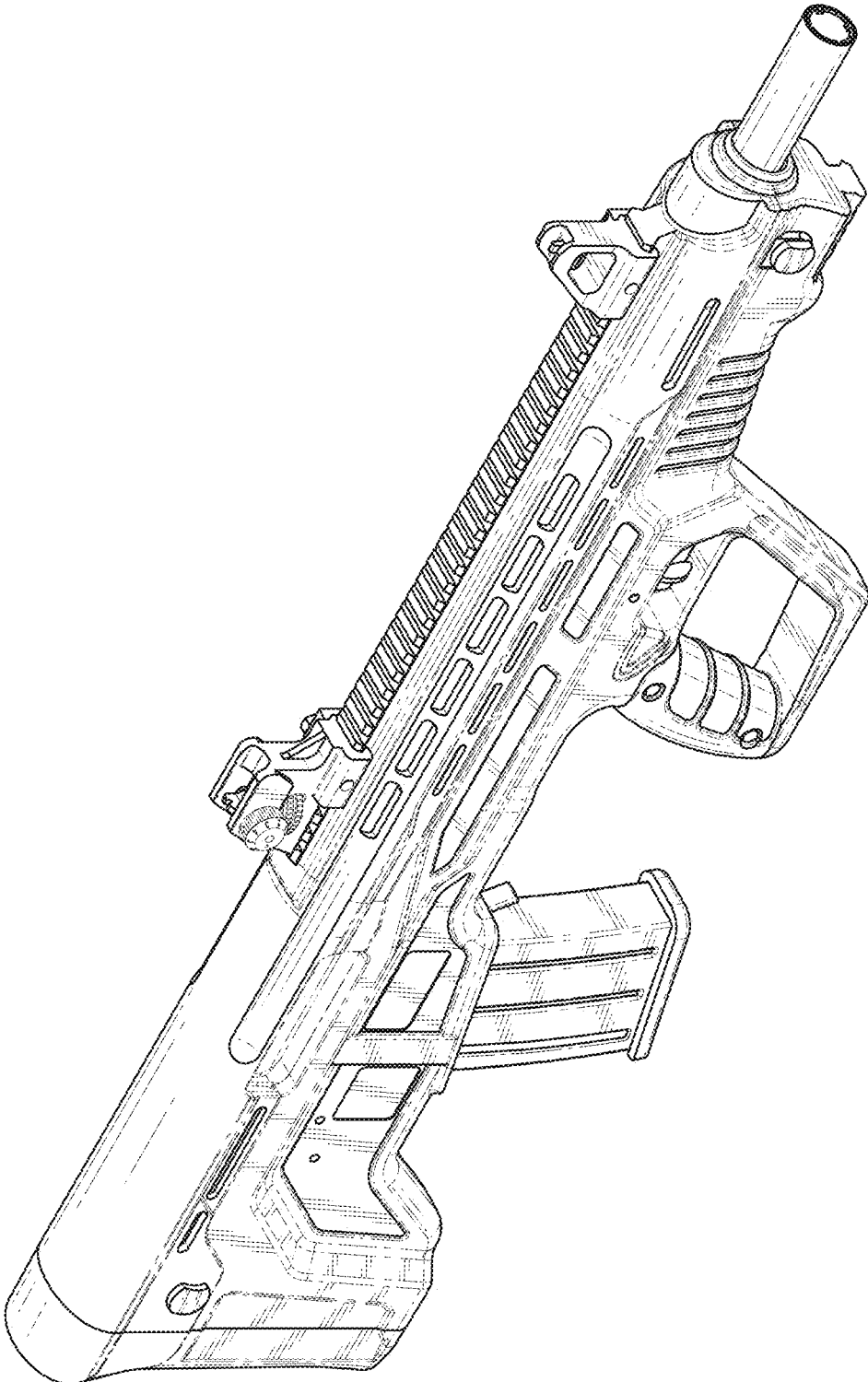


FIG. 4

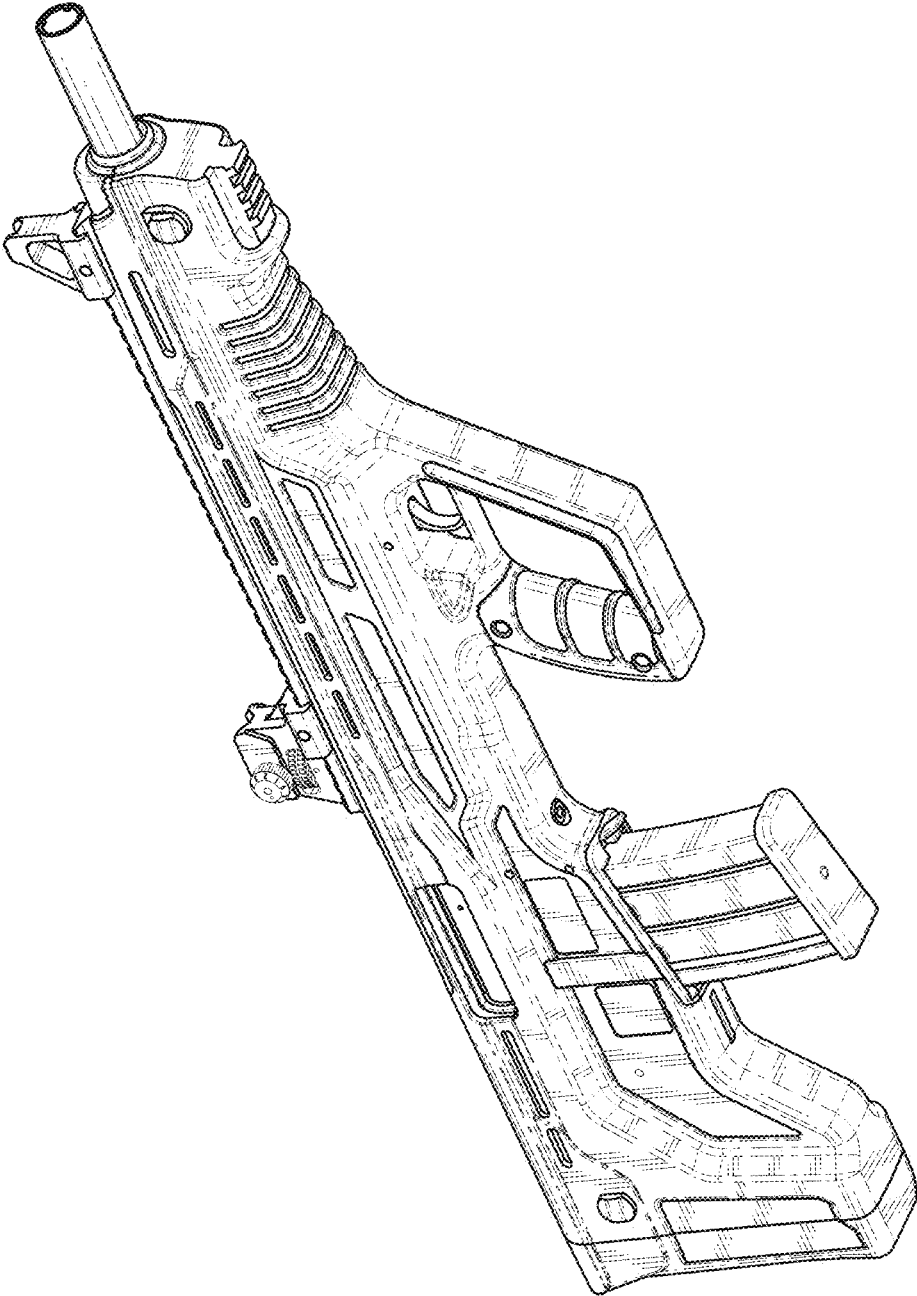


FIG. 5

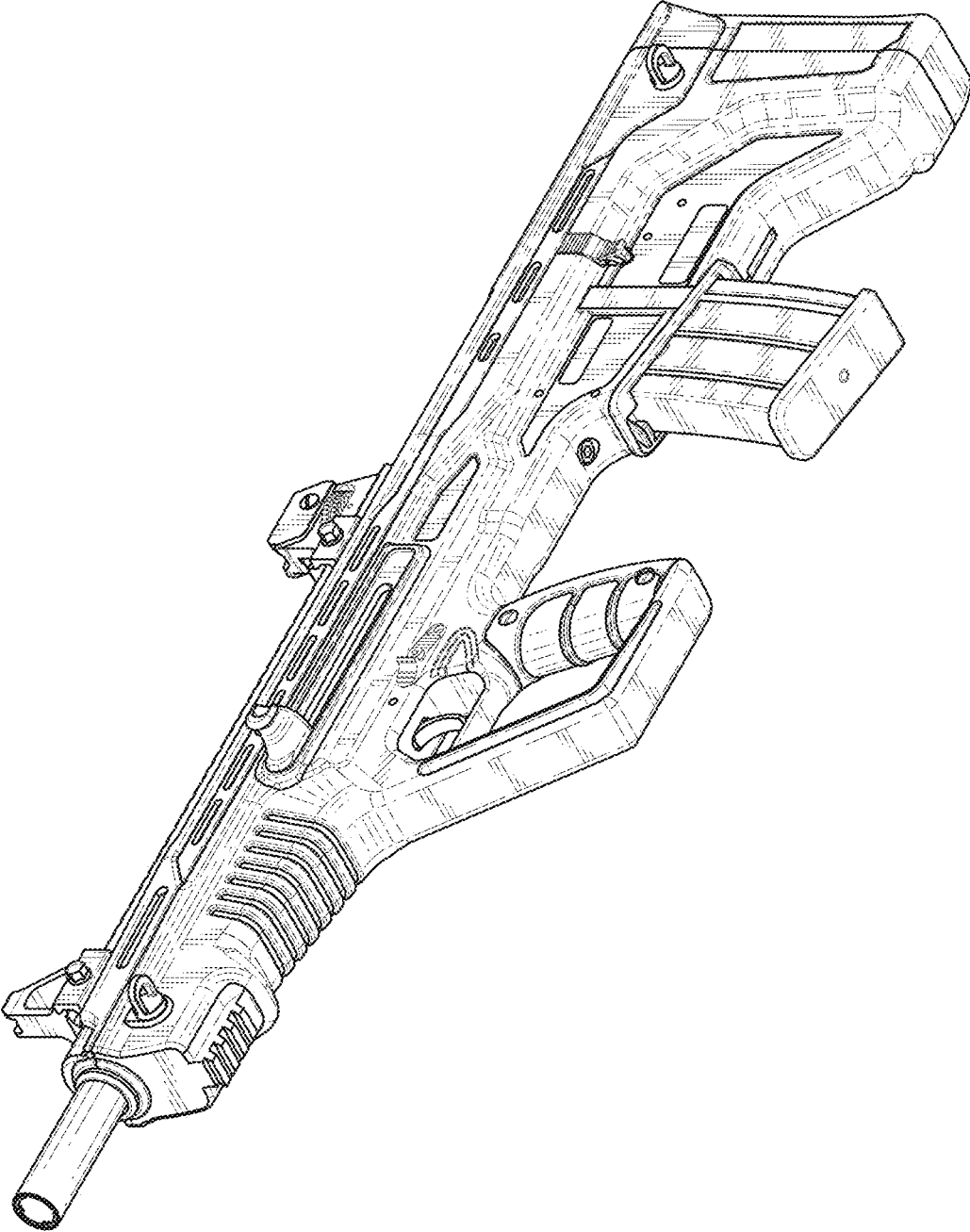


FIG. 6

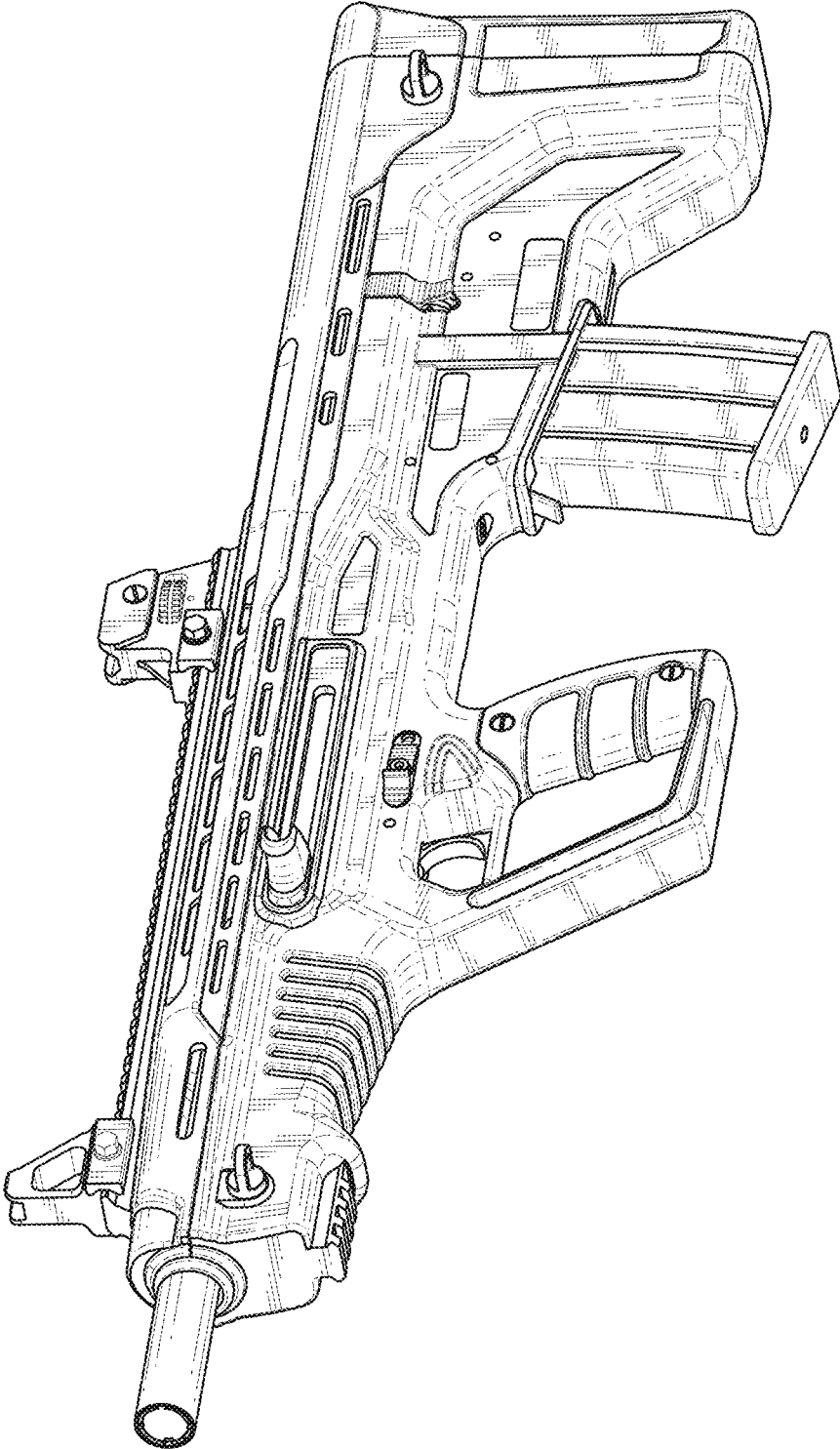


FIG. 7

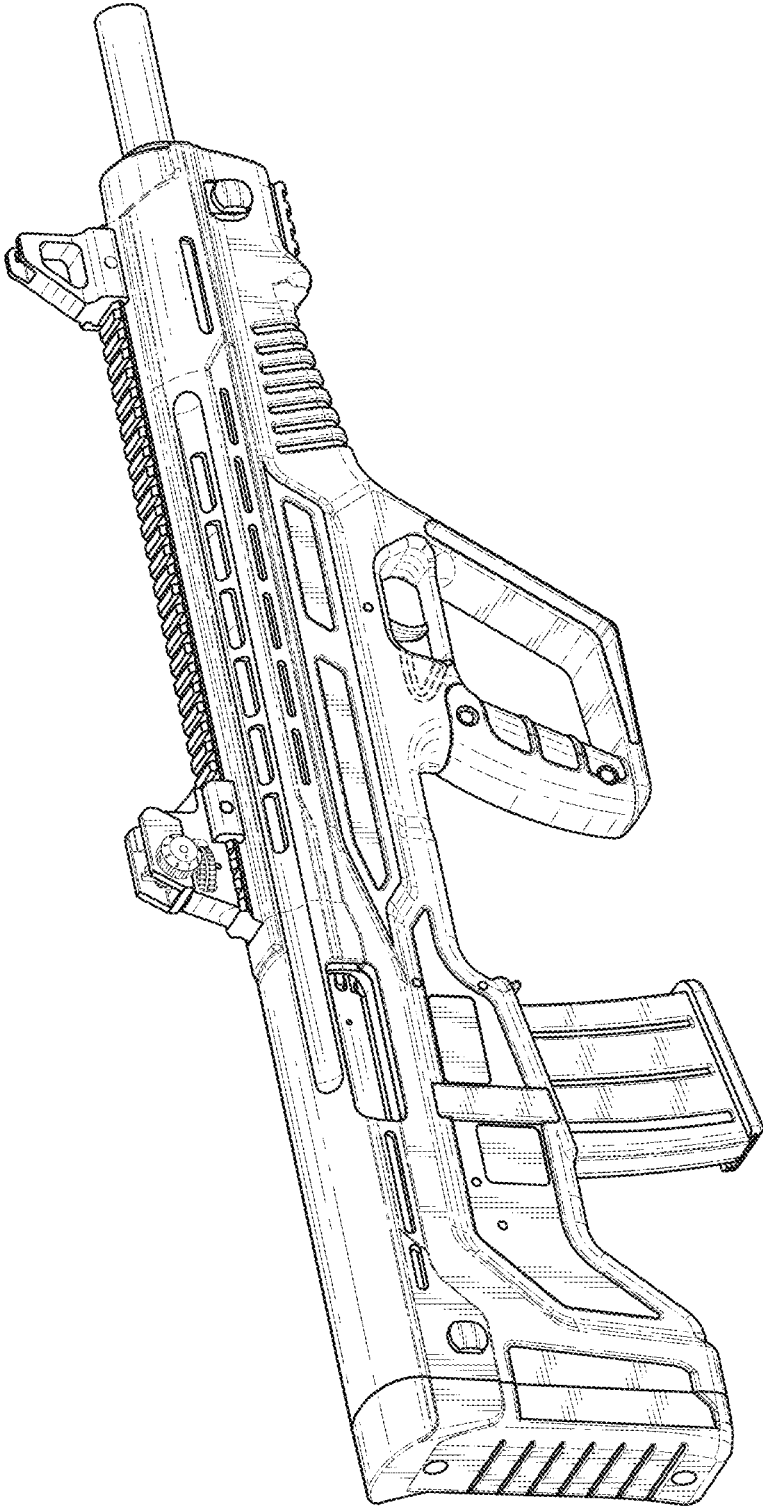


FIG. 8