



US00D622697S

(12) **United States Design Patent**
Kolton

(10) **Patent No.:** **US D622,697 S**

(45) **Date of Patent:** **** Aug. 31, 2010**

(54) **EARPHONE Y-CONNECTOR**

(76) Inventor: **Timothy Val Kolton**, 6464 Sunset Blvd.,
Suite 500, Hollywood, CA (US) 90028

(**) Term: **14 Years**

(21) Appl. No.: **29/345,665**

(22) Filed: **Oct. 20, 2009**

(51) **LOC (9) Cl.** **14-01**

(52) **U.S. Cl.** **D14/205**

(58) **Field of Classification Search** D14/205,
D14/206, 223, 188, 192, 225, 226, 217, 218,
D14/228, 240; D13/133, 146, 147, 153,
D13/154, 168; 381/170, 174, 355, 356, 380,
381/381; 379/430, 431; 455/90.1, 90.2,
455/575.1, 575.2; D10/49

See application file for complete search history.

(56) **References Cited**

U.S. PATENT DOCUMENTS

3,049,582	A	*	8/1962	Shinn	174/92
D310,349	S	*	9/1990	Rowen	D13/168
D326,655	S	*	6/1992	Iribe	D14/192
D344,522	S	*	2/1994	Taniguchi	D14/218
D392,979	S	*	3/1998	Inukai	D14/228
D425,487	S	*	5/2000	Lee	D13/154
D433,404	S	*	11/2000	Thakur	D14/218
D448,361	S	*	9/2001	Bergfeldt	D14/225
D462,945	S	*	9/2002	Skulley	D14/218
D463,787	S	*	10/2002	Beraut et al.	D14/218

D465,476	S	*	11/2002	Golding et al.	D14/238.1
D465,477	S	*	11/2002	Beraut et al.	D14/218
D469,080	S	*	1/2003	Kohli	D14/192
D476,307	S	*	6/2003	Ng	D14/192
D561,112	S	*	2/2008	Victor	D13/154
D576,105	S	*	9/2008	Victor	D13/154
D589,028	S	*	3/2009	Haapapuro et al.	D14/206
D593,999	S	*	6/2009	Mauritzsson	D14/225

* cited by examiner

Primary Examiner—Paula Greene

(74) *Attorney, Agent, or Firm*—Edwin Tarver Lauson & Tarver, LLP

(57) **CLAIM**

The ornamental design for an earphone y-connector, as shown and described.

DESCRIPTION

FIG. 1 is a perspective view of an earphone y-connector showing my new design, the cord is drawn broken away for purposes of illustration;

FIG. 2 is a front view thereof;

FIG. 3 is a rear view thereof;

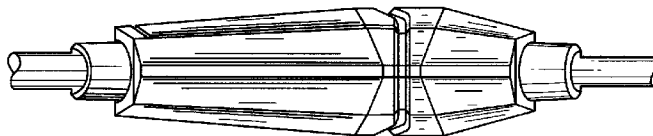
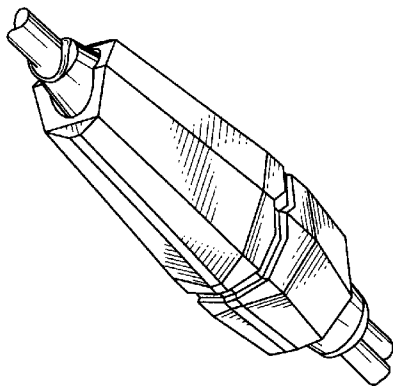
FIG. 4 is a left side view thereof;

FIG. 5 is a right side view thereof;

FIG. 6 is a top view thereof; and,

FIG. 7 is a bottom view thereof.

1 Claim, 2 Drawing Sheets



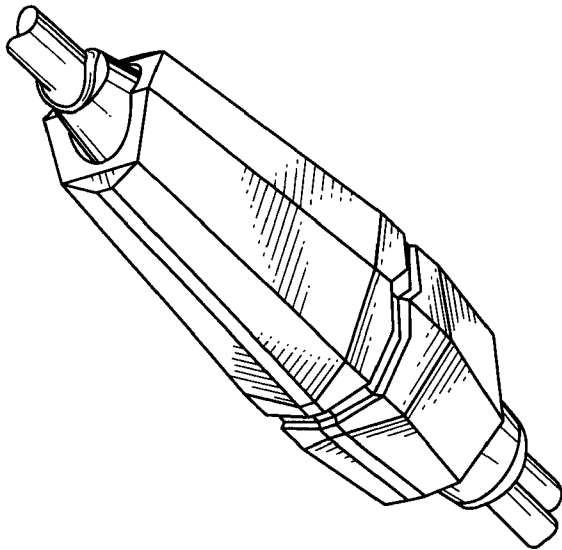


Fig. 1

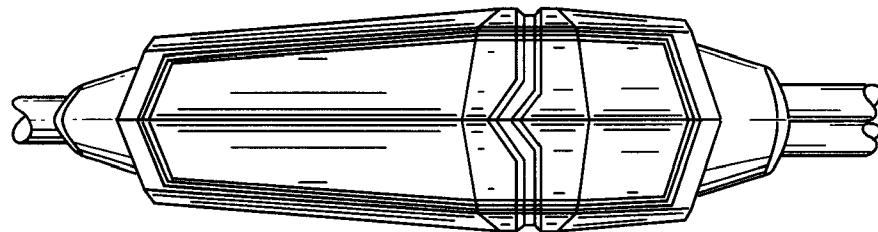


Fig. 2

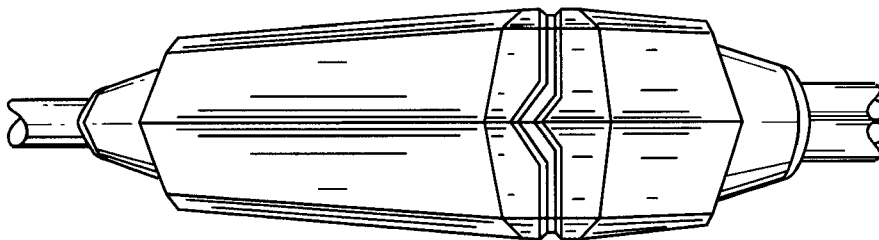


Fig. 3

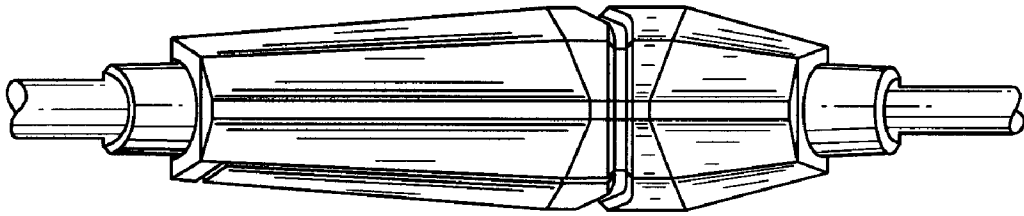


Fig. 4

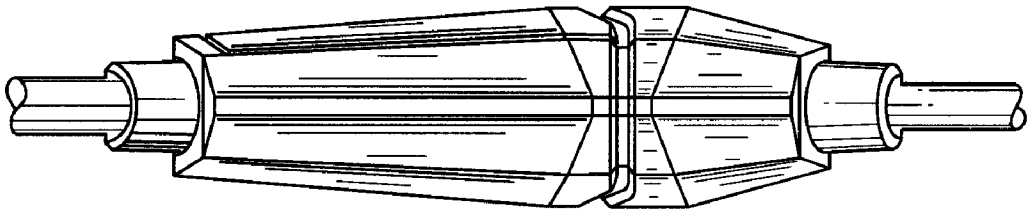


Fig. 5

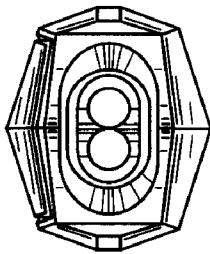


Fig. 6

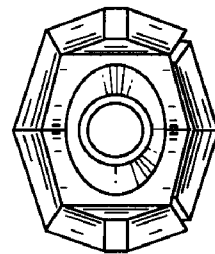


Fig. 7