



US00D375337S

United States Patent [19]

[11] Patent Number: **Des. 375,337**

Adkins et al.

[45] Date of Patent: ****Nov. 5, 1996**

[54] **EXERCISE MACHINE**
[76] Inventors: **Joseph E. Adkins; Jeffrey A. Adkins,**
both of P.O. Box 7758, Huntington, W.
Va. 25776

5,356,357 10/1994 Wang et al. 482/96
5,366,428 11/1994 Liao 482/96
5,421,795 6/1995 Chen 482/96
5,478,298 12/1995 Chen 482/72

[**] Term: **14 Years**

FOREIGN PATENT DOCUMENTS

474691 6/1951 Canada .
92/18204 10/1992 WIPO .

[21] Appl. No.: **48,086**

Primary Examiner—Philip S. Hyder
Attorney, Agent, or Firm—Richard C. Litman

[22] Filed: **Dec. 20, 1995**

[52] U.S. Cl. **D21/195**

[57] CLAIM

[58] Field of Search D21/195, 191,
D21/192, 193, 194; 482/51, 57, 62, 72,
95, 96, 137

The ornamental design for an exercise machine, as shown
and described.

[56] References Cited

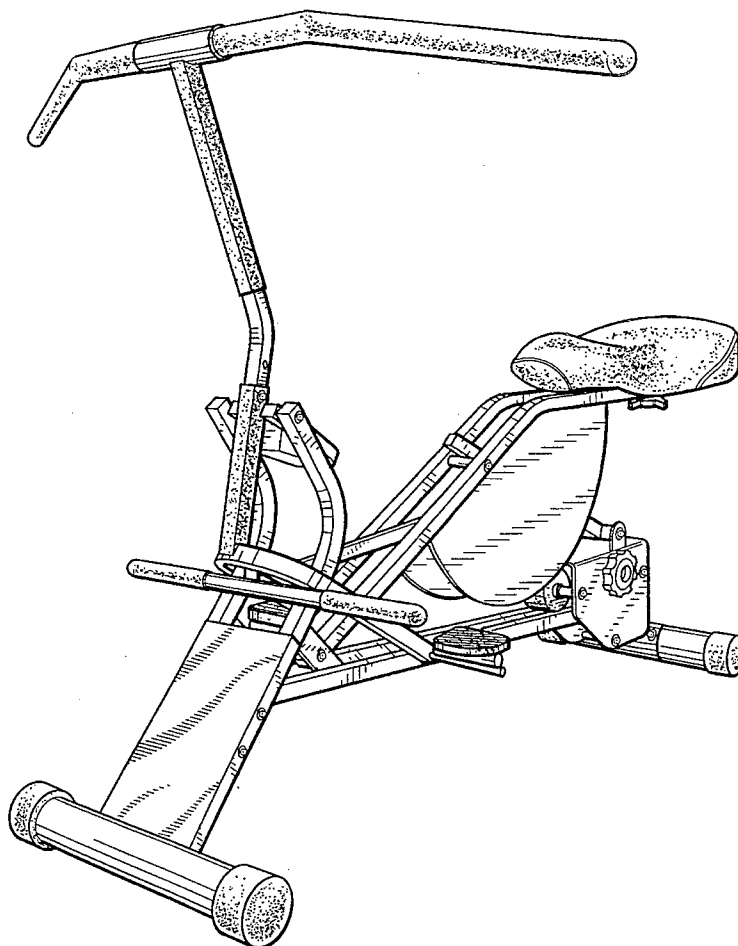
DESCRIPTION

U.S. PATENT DOCUMENTS

D. 356,112 2/1994 Smith et al. D21/195
D. 356,128 3/1995 Smith et al. D21/195
D. 367,689 3/1996 Wilkinson et al. D21/195
2,455,548 7/1948 Bell .
2,642,288 8/1949 Bell .
2,924,456 11/1957 Miller .
4,300,760 11/1981 Bobroff .
5,029,848 7/1991 Sleamaker .
5,299,997 4/1994 Chen 482/96
5,342,269 8/1994 Huang et al. 482/95

FIG. 1 is a perspective view of an exercise machine showing
my new design;
FIG. 2 is a left side elevational view thereof;
FIG. 3 is a top view thereof;
FIG. 4 is a rear elevational view thereof;
FIG. 5 is a front elevational view thereof;
FIG. 6 is a bottom view thereof; and,
FIG. 7 is a right side elevational view thereof.

1 Claim, 7 Drawing Sheets



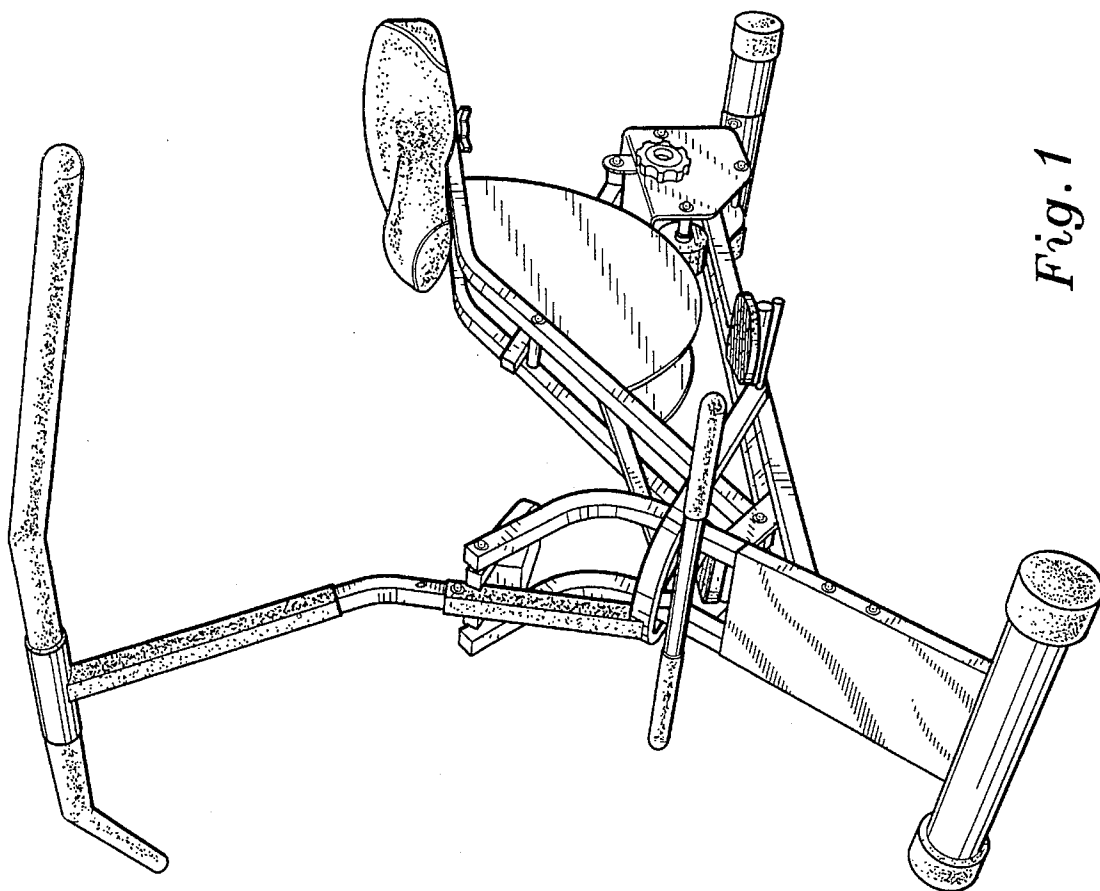


Fig. 1

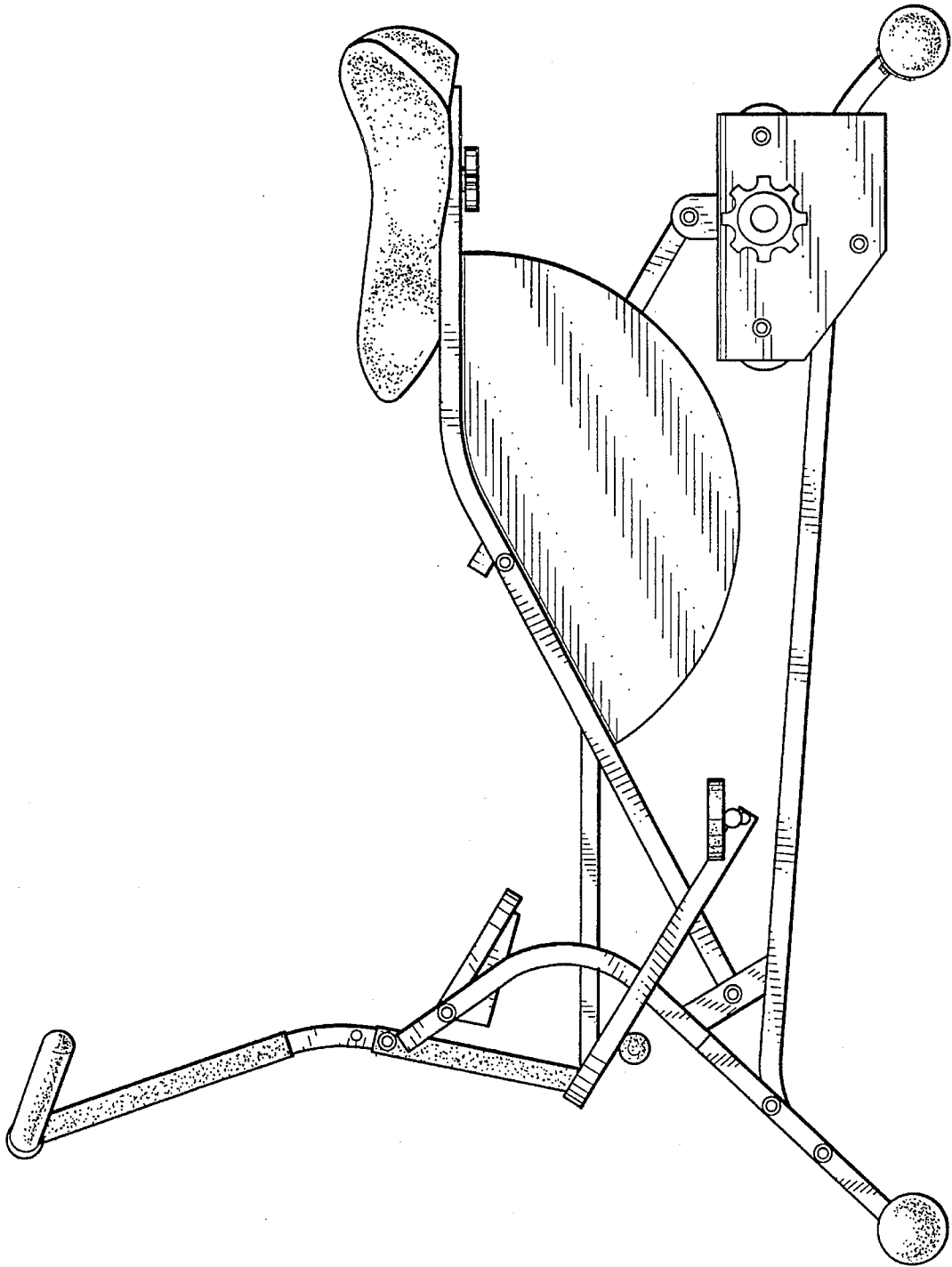


Fig. 2

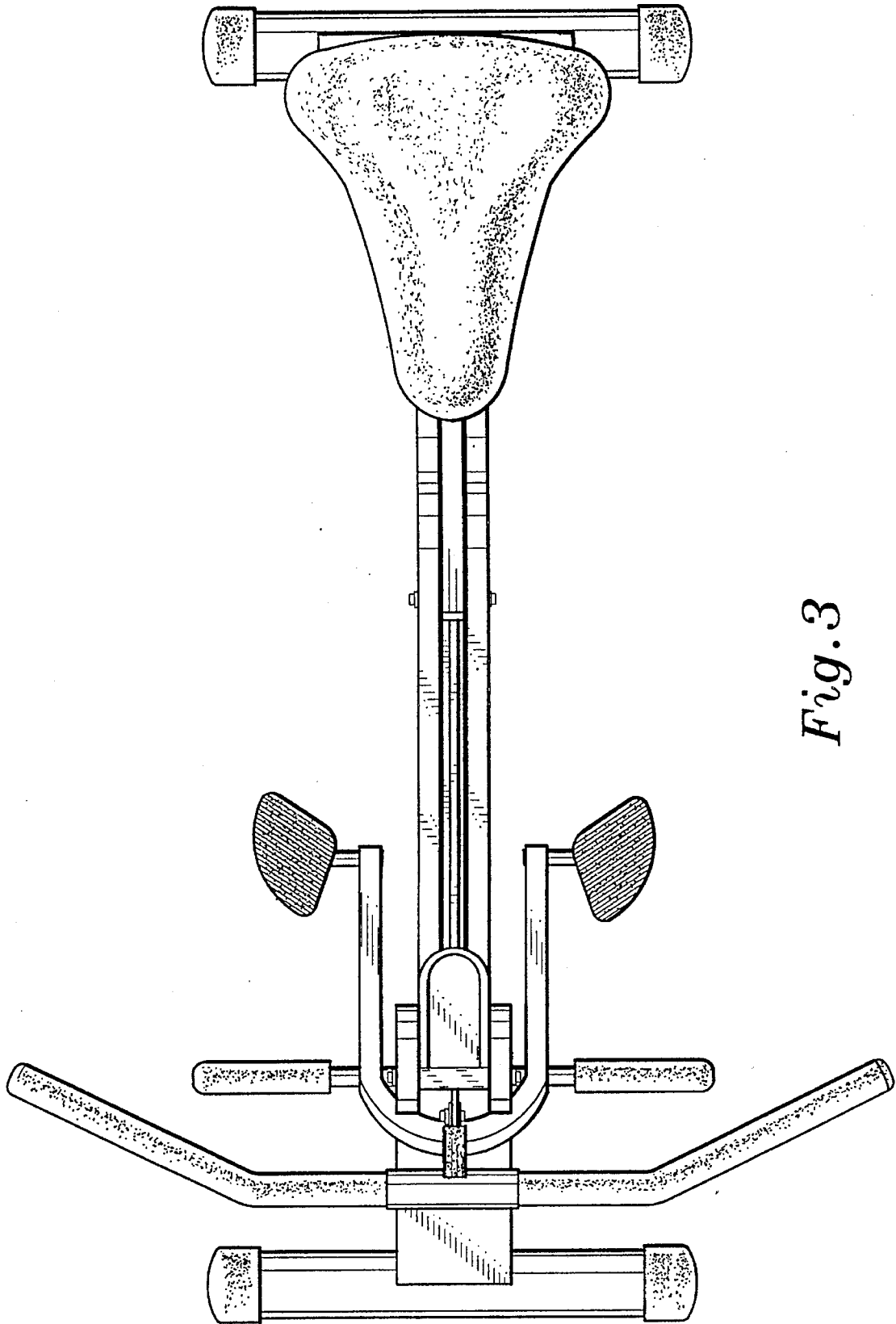


Fig. 3

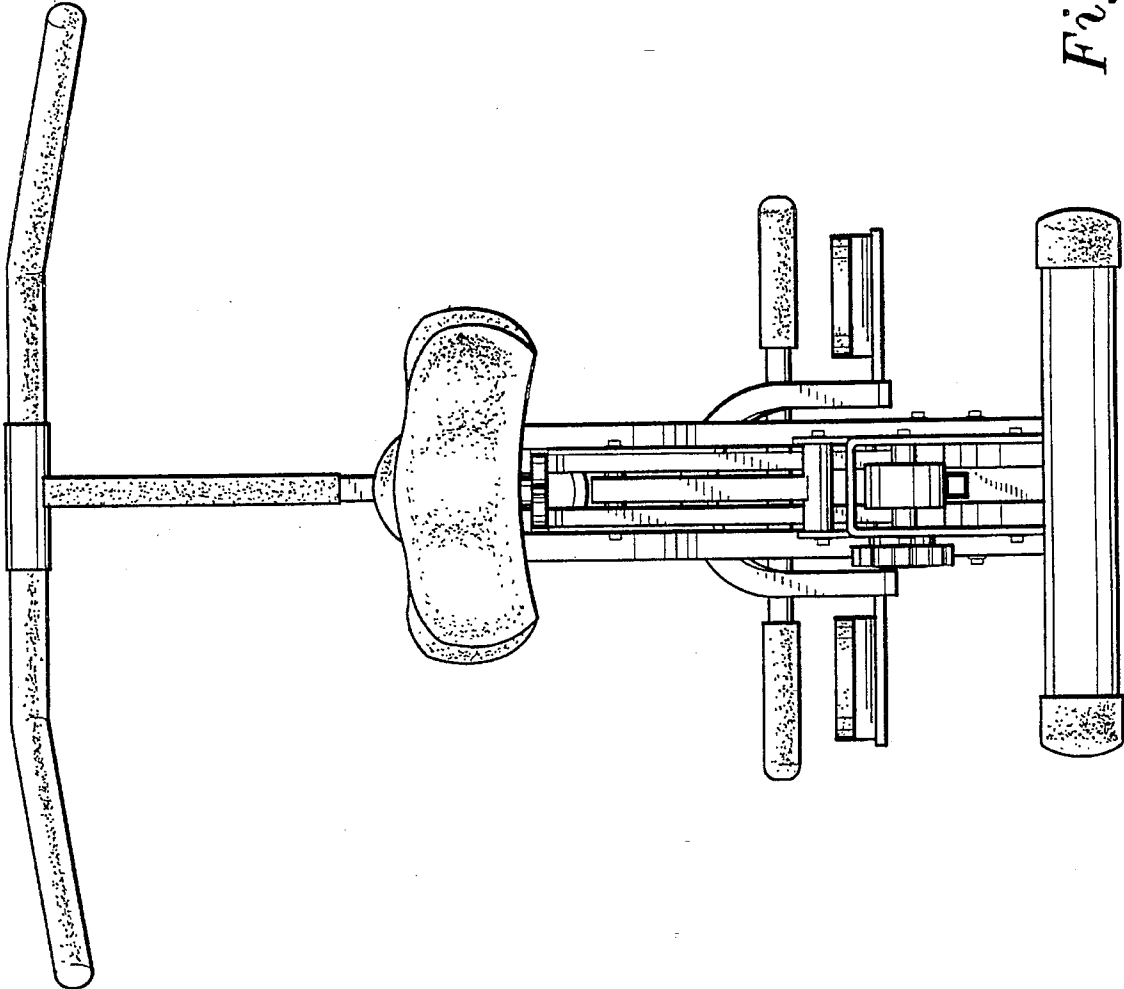


Fig. 4

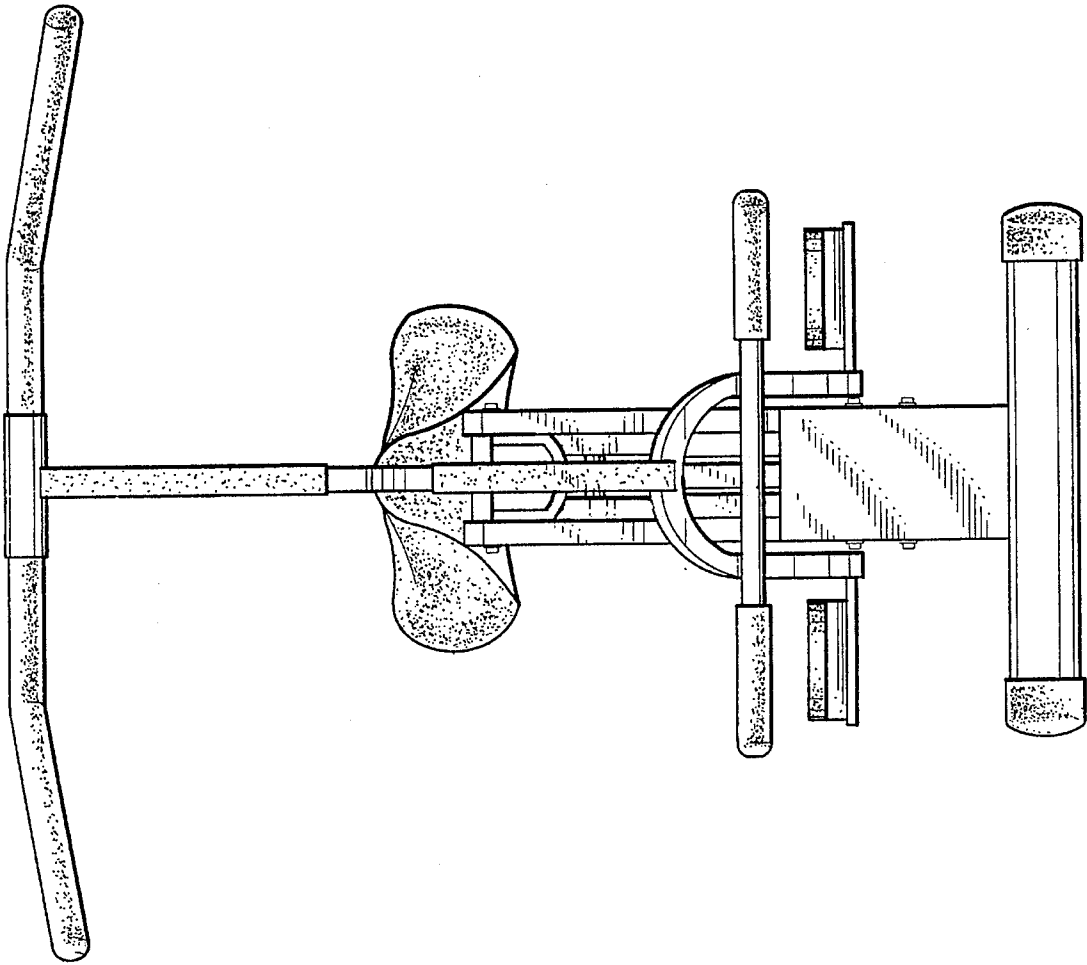


Fig. 5

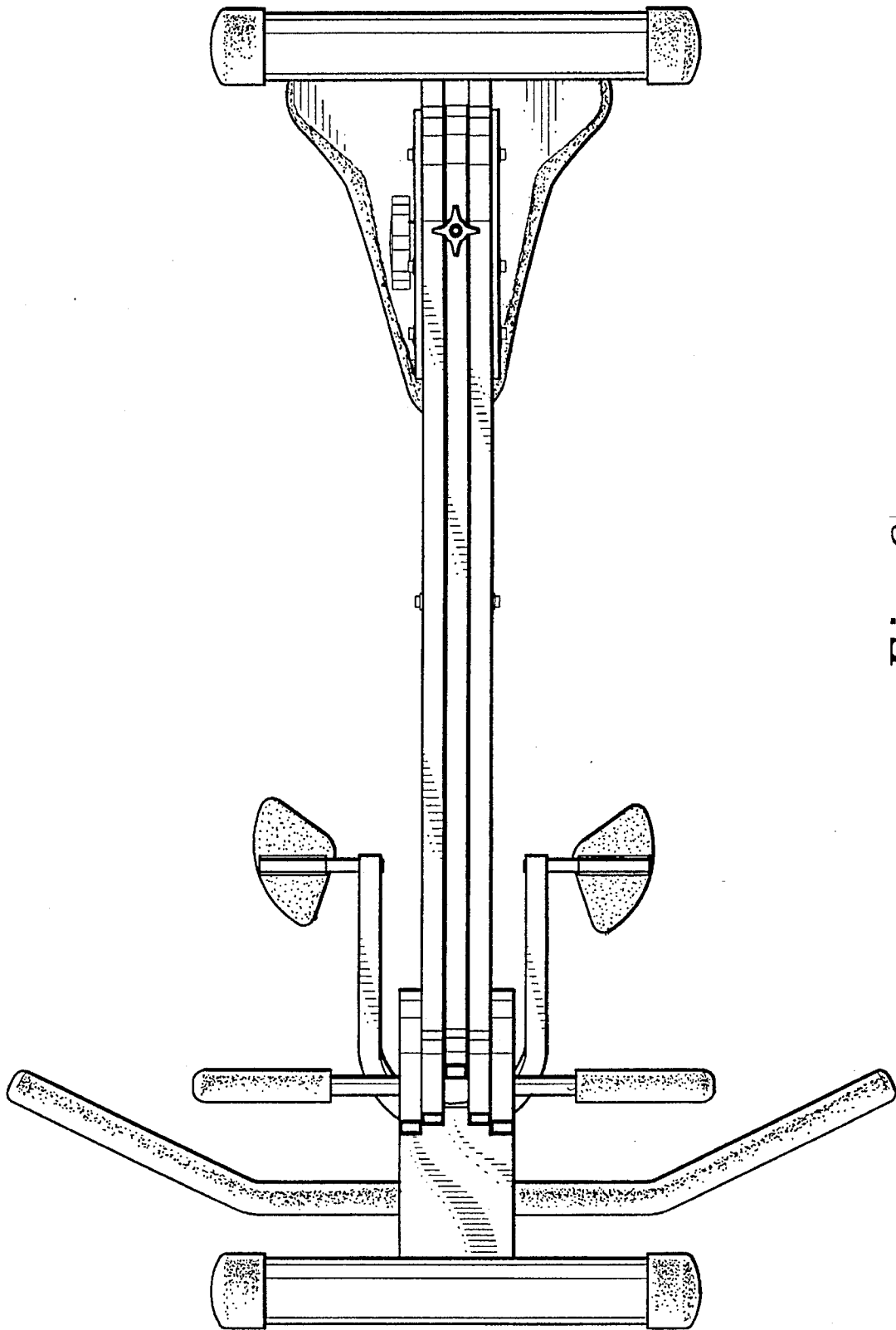


Fig. 6

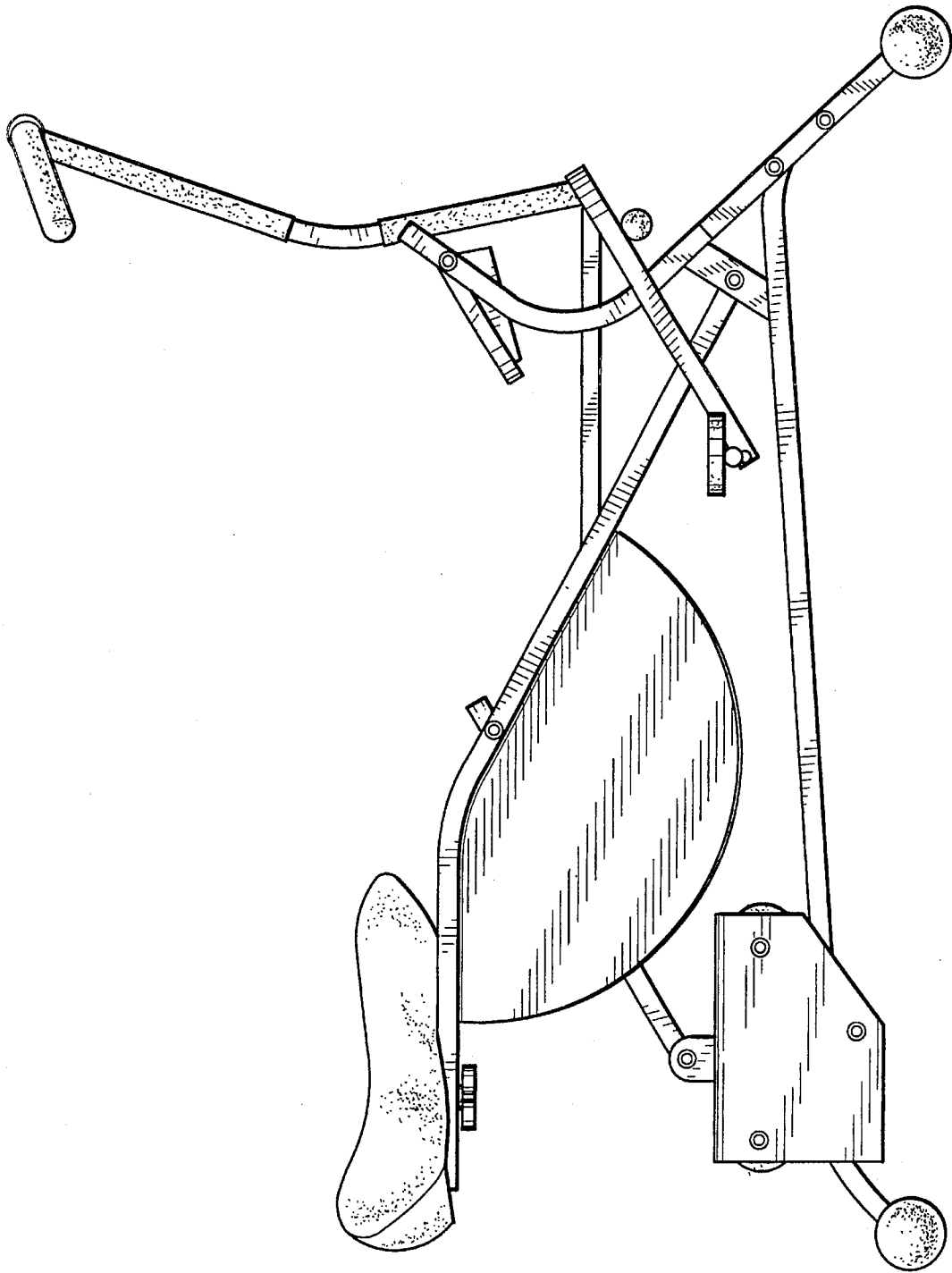


Fig. 7