

(19) World Intellectual Property Organization
International Bureau



(43) International Publication Date
15 November 2007 (15.11.2007)

PCT

(10) International Publication Number
WO 2007/130411 A3

(51) International Patent Classification:
A61B 3/12 (2006.01)

(74) Agent: WITONSKY, Sacott, K.; Proskauer Rose, LLP,
One International Place, Boston, MA 02110 (US).

(21) International Application Number:
PCT/US2007/010553

(81) Designated States (unless otherwise indicated, for every kind of national protection available): AE, AG, AL, AM, AT, AU, AZ, BA, BB, BG, BH, BR, BW, BY, BZ, CA, CH, CN, CO, CR, CU, CZ, DE, DK, DM, DZ, EC, EE, EG, ES, FI, GB, GD, GE, GH, GM, GT, HN, HR, HU, ID, IL, IN, IS, JP, KE, KG, KM, KN, KP, KR, KZ, LA, LC, LK, LR, LS, LT, LU, LY, MA, MD, MG, MK, MN, MW, MX, MY, MZ, NA, NG, NI, NO, NZ, OM, PG, PH, PL, PT, RO, RS, RU, SC, SD, SE, SG, SK, SL, SM, SV, SY, TJ, TM, TN, TR, TT, TZ, UA, UG, US, UZ, VC, VN, ZA, ZM, ZW.

(22) International Filing Date: 1 May 2007 (01.05.2007)

(25) Filing Language: English

(26) Publication Language: English

(30) Priority Data:
60/796,387 1 May 2006 (01.05.2006) US

(71) Applicant (for all designated States except US): **PHYSICAL SCIENCES, INC.** [US/US]; 20 New England Business Center, Andover, MA 01810-1077 (US).

(84) Designated States (unless otherwise indicated, for every kind of regional protection available): ARIPO (BW, GH, GM, KE, LS, MW, MZ, NA, SD, SL, SZ, TZ, UG, ZM, ZW), Eurasian (AM, AZ, BY, KG, KZ, MD, RU, TJ, TM), European (AT, BE, BG, CH, CY, CZ, DE, DK, EE, ES, FI, FR, GB, GR, HU, IE, IS, IT, LT, LU, LV, MC, MT, NL, PL, PT, RO, SE, SI, SK, TR), OAPI (BF, BJ, CF, CG, CI, CM, GA, GN, GQ, GW, ML, MR, NE, SN, TD, TG).

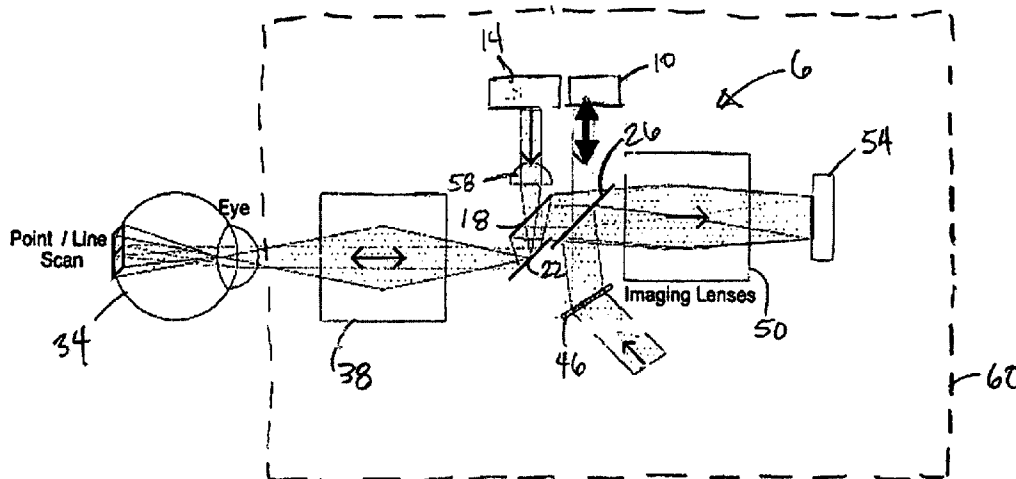
(72) Inventors; and

(75) Inventors/Applicants (for US only): **FERGUSON, R., Daniel** [US/US]; 54 Woodland Ave, Melrose, MA 02176 (US). **HAMMER, Daniel, X.** [US/US]; 51 Barr Farm Road, Bedford, NH 03110 (US). **IFTIMIA, Nicusor, V.** [RO/US]; 151 Groton Road, Chelmsford, MA 01863 (US). **BIGELOW, Chad** [US/US]; 689 Green Street, Apt. 1, Cambridge, MA 02139 (US).

Published:
— with international search report

[Continued on next page]

(54) Title: HYBRID SPECTRAL DOMAIN OPTICAL COHERENCE TOMOGRAPHY LINE SCANNING LASER OPHTHALMOSCOPE



(57) Abstract: An apparatus for imaging an eye includes a housing and a system of optical components disposed in the housing. The apparatus is capable of operating in a line scanning laser ophthalmoscope (LSLO) mode and an optical coherence tomography (OCT) mode. The system of optical components can include a first source to provide a first beam of light for the OCT mode and a second source to provide a second beam of light for the LSLO mode. In the OCT mode, a first optic is used that (i) scans, using a first surface of the first optic, the first beam of light along a retina of an eye in a first dimension, and (ii) descans, using the first surface, a first light returning from the eye in the first dimension to a detection system in the OCT mode. In the LSLO mode, the first optic is used where the second beam of light passes through a second surface of the first optic.

WO 2007/130411 A3



— *before the expiration of the time limit for amending the claims and to be republished in the event of receipt of amendments*

(88) Date of publication of the international search report:
10 July 2008

INTERNATIONAL SEARCH REPORT

International application No
PCT/US2007/010553

A. CLASSIFICATION OF SUBJECT MATTER INV. A61B3/12		
According to International Patent Classification (IPC) or to both national classification and IPC		
B. FIELDS SEARCHED		
Minimum documentation searched (classification system followed by classification symbols) A61B		
Documentation searched other than minimum documentation to the extent that such documents are included in the fields searched		
Electronic data base consulted during the international search (name of data base and, where practical, search terms used) EPO-Internal		
C. DOCUMENTS CONSIDERED TO BE RELEVANT		
Category*	Citation of document, with indication, where appropriate, of the relevant passages	Relevant to claim No.
Y A	JP 11 253403 A (KOWA CO) 21 September 1999 (1999-09-21) abstract; figure 1	1,5,8,10 13,19, 21,22,25
Y A	----- US 2003/231285 A1 (FERGUSON R DANIEL [US]) 18 December 2003 (2003-12-18) paragraph [0037]	1,5,8,10
A	----- PODOLEANU A GH ET AL: "Combined optical coherence tomograph and scanning laser ophthalmoscope" ELECTRONICS LETTERS, IEE STEVENAGE, GB, vol. 34, no. 11, 28 May 1998 (1998-05-28), pages 1088-1090, XP006009833 ISSN: 0013-5194 abstract; figure 1	1,13,22, 25
<input type="checkbox"/> Further documents are listed in the continuation of Box C.		
<input checked="" type="checkbox"/> See patent family annex.		
* Special categories of cited documents :		
A document defining the general state of the art which is not considered to be of particular relevance *E* earlier document but published on or after the international filing date *L* document which may throw doubts on priority claim(s) or which is cited to establish the publication date of another citation or other special reason (as specified) *O* document referring to an oral disclosure, use, exhibition or other means *P* document published prior to the international filing date but later than the priority date claimed	*T* later document published after the international filing date or priority date and not in conflict with the application but cited to understand the principle or theory underlying the invention *X* document of particular relevance; the claimed invention cannot be considered novel or cannot be considered to involve an inventive step when the document is taken alone *Y* document of particular relevance; the claimed invention cannot be considered to involve an inventive step when the document is combined with one or more other such documents, such combination being obvious to a person skilled in the art. *&* document member of the same patent family	
Date of the actual completion of the international search 17 April 2008	Date of mailing of the international search report 28/04/2008	
Name and mailing address of the ISA/ European Patent Office, P.B. 5818 Patentlaan 2 NL - 2280 HV Rijswijk Tel. (+31-70) 340-2040, Tx. 31 651 epo nl, Fax: (+31-70) 340-3016	Authorized officer Knüpling, Moritz	

INTERNATIONAL SEARCH REPORT

Information on patent family members

International application No
PCT/US2007/010553

Patent document cited in search report		Publication date	Patent family member(s)	Publication date
JP 11253403	A	21-09-1999	JP 3964035 B2	22-08-2007
US 2003231285	A1	18-12-2003	AU 2003276035 A1	31-12-2003
			CA 2489241 A1	24-12-2003
			EP 1513441 A1	16-03-2005
			JP 2005529669 T	06-10-2005
			WO 03105679 A1	24-12-2003
			US 2005012899 A1	20-01-2005