



US00D496574S1

(12) **United States Design Patent**
Sakai et al.

(10) **Patent No.:** **US D496,574 S**

(45) **Date of Patent:** **** Sep. 28, 2004**

(54) **PORTABLE ELECTRIC DRILL**

(75) Inventors: **Masato Sakai**, Hitachinaka (JP);
Kimitaka Abo, Hitachinaka (JP)

(73) Assignee: **Hitachi, Koki Co., Ltd.**, Tokyo (JP)

(**) Term: **14 Years**

(21) Appl. No.: **29/199,030**

(22) Filed: **Feb. 10, 2004**

(30) **Foreign Application Priority Data**

Aug. 11, 2003 (JP) 2003-023377

(51) **LOC (7) Cl.** **08-01**

(52) **U.S. Cl.** **D8/68**

(58) **Field of Search** D8/14.1, 61, 62,
D8/63, 64, 65, 66, 67, 68, 69, 70; 81/57.11,
429, 464, 465, 466, 469, 489; 173/13, 169,
178, 213, 217; 227/8, 114, 120, 130, 136,
142; 310/50; 408/20, 124, 125, 234, 241 R;
451/358

(56) **References Cited**

U.S. PATENT DOCUMENTS

2,383,379	A	*	8/1945	Forss	310/50
4,098,351	A	*	7/1978	Alessio	173/13
D279,862	S	*	7/1985	Sato et al.	D8/68
D280,797	S	*	10/1985	Sakamoto et al.	D8/68
D280,883	S	*	10/1985	Sakamoto et al.	D8/68
D304,287	S	*	10/1989	Zurwelle	D8/68
4,968,191	A	*	11/1990	Palm	408/124
D314,498	S	*	2/1991	Hoshino et al.	D8/68
5,056,607	A	*	10/1991	Sanders	173/48
D325,860	S	*	5/1992	Fushiya et al.	D8/68

D326,400	S	*	5/1992	Fushiya et al.	D8/68
D339,727	S	*	9/1993	Kikuchi	D8/68
D396,395	S	*	7/1998	Zurwelle	D8/68
D403,565	S	*	1/1999	Chung	D8/68
D406,742	S	*	3/1999	Schoen et al.	D8/68
D439,123	S	*	3/2001	Sakai et al.	D8/68
D441,268	S	*	5/2001	Heun	D8/68
6,240,816	B1	*	6/2001	Riedl et al.	81/429
D470,379	S	*	2/2003	Andriolo	D8/68
D470,737	S	*	2/2003	Chunn et al.	D8/68
6,536,537	B1	*	3/2003	Sasaki et al.	173/178
D482,254	S	*	11/2003	Tsuzuki et al.	D8/68
D486,049	S	*	2/2004	Sugiura et al.	D8/68

FOREIGN PATENT DOCUMENTS

JP 1090000 11/2000

* cited by examiner

Primary Examiner—James Gandy

Assistant Examiner—T. Chase Nelson

(74) *Attorney, Agent, or Firm*—Sughrue Mion, PLLC

(57) **CLAIM**

The ornamental design for a portable electric drill, as shown.

DESCRIPTION

FIG. 1 is a perspective view of the top, front and left side elevational view thereof;

FIG. 2 is a front elevational view thereof;

FIG. 3 is a rear elevational view thereof;

FIG. 4 is a left side elevational view thereof;

FIG. 5 is a right side elevational view thereof;

FIG. 6 is a top plan view thereof; and,

FIG. 7 is a bottom plan view thereof.

1 Claim, 5 Drawing Sheets

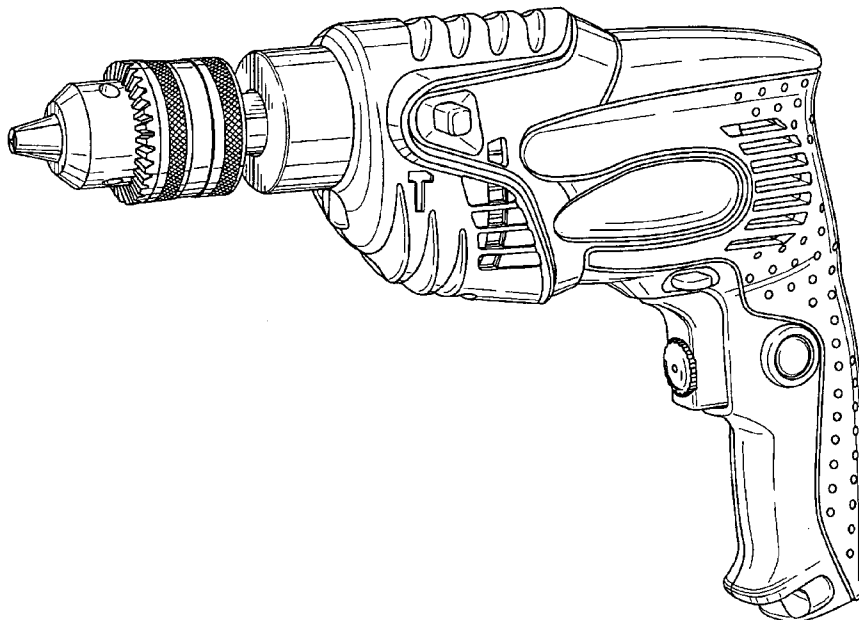


FIG. 1

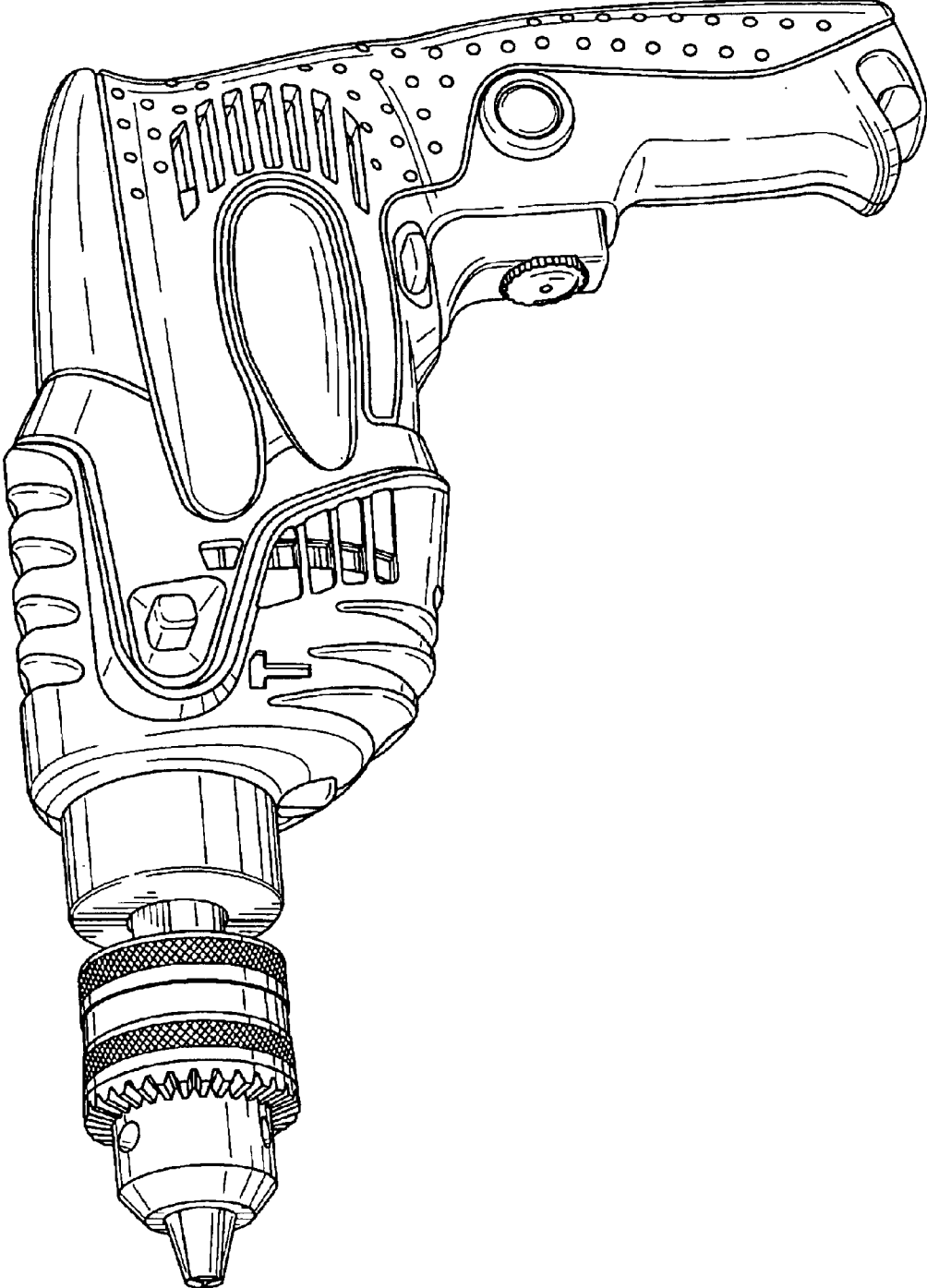


FIG. 2

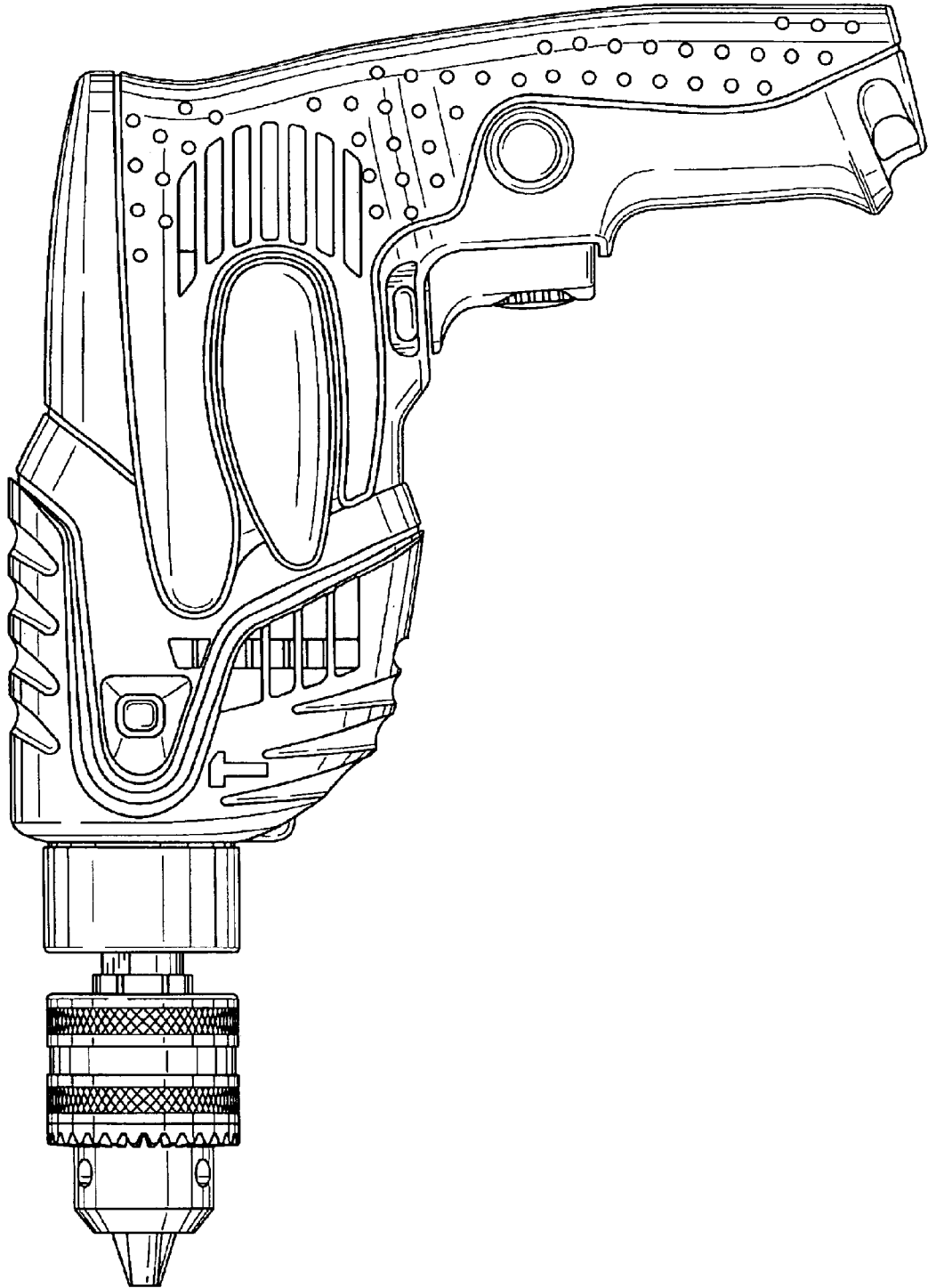


FIG. 3

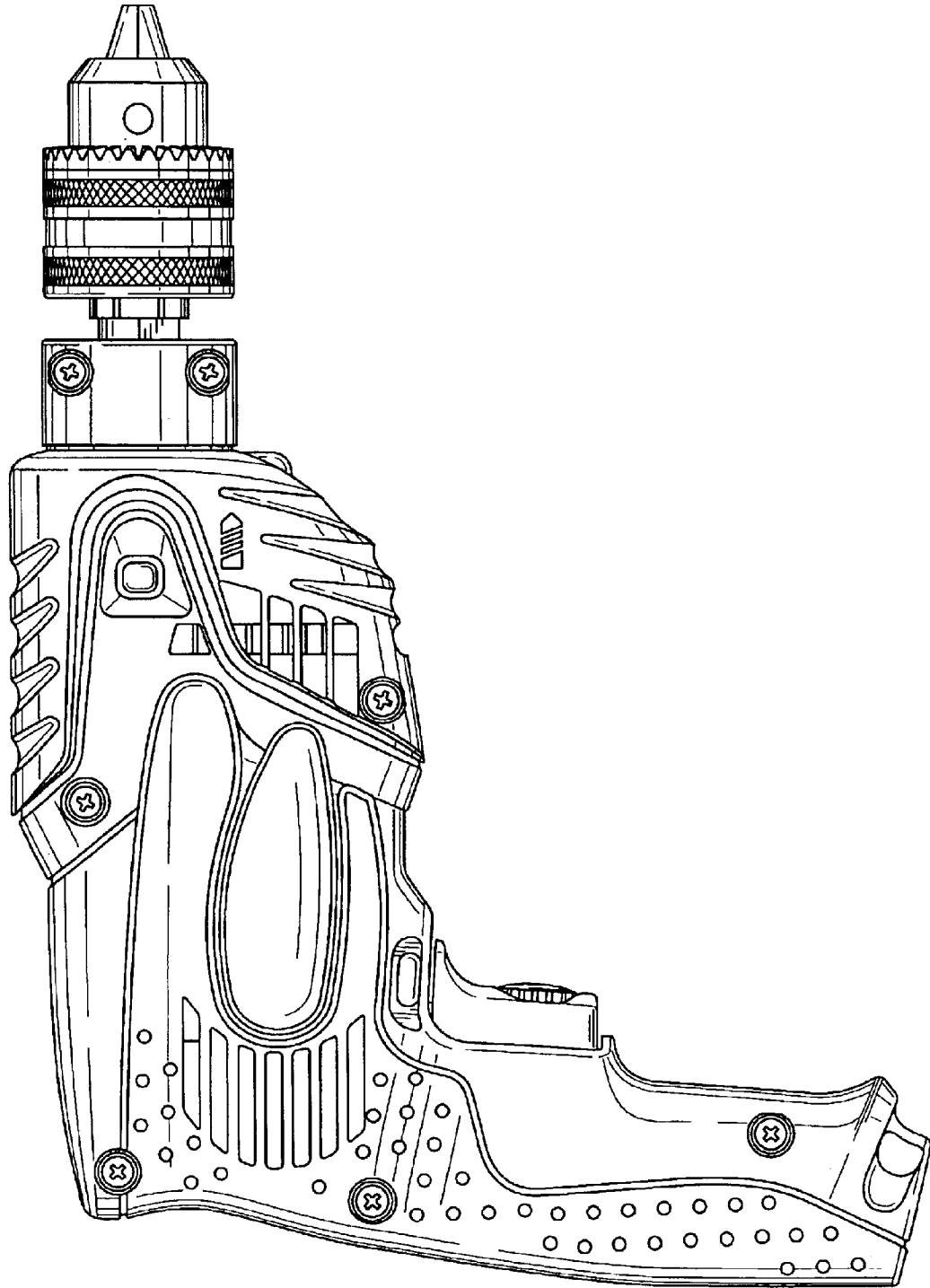


FIG. 4

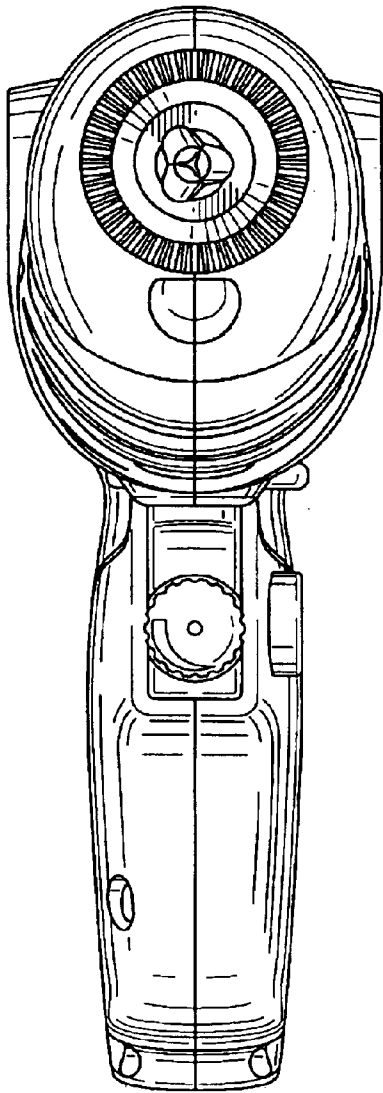


FIG. 5

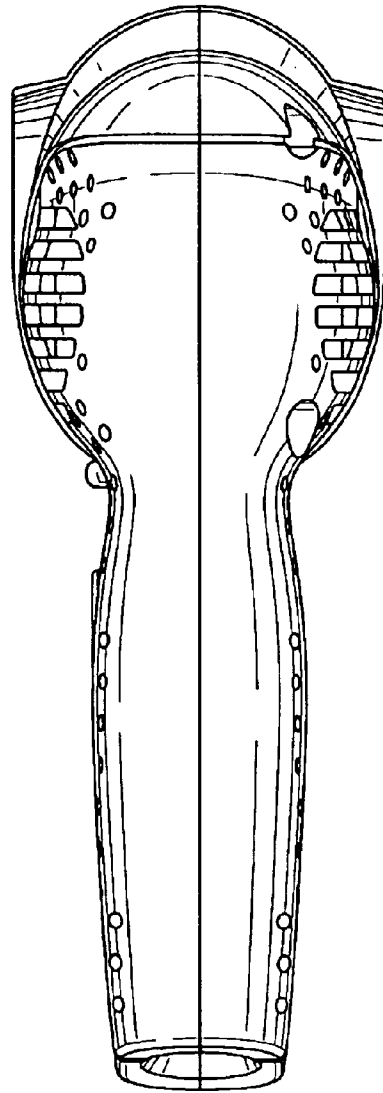


FIG. 6

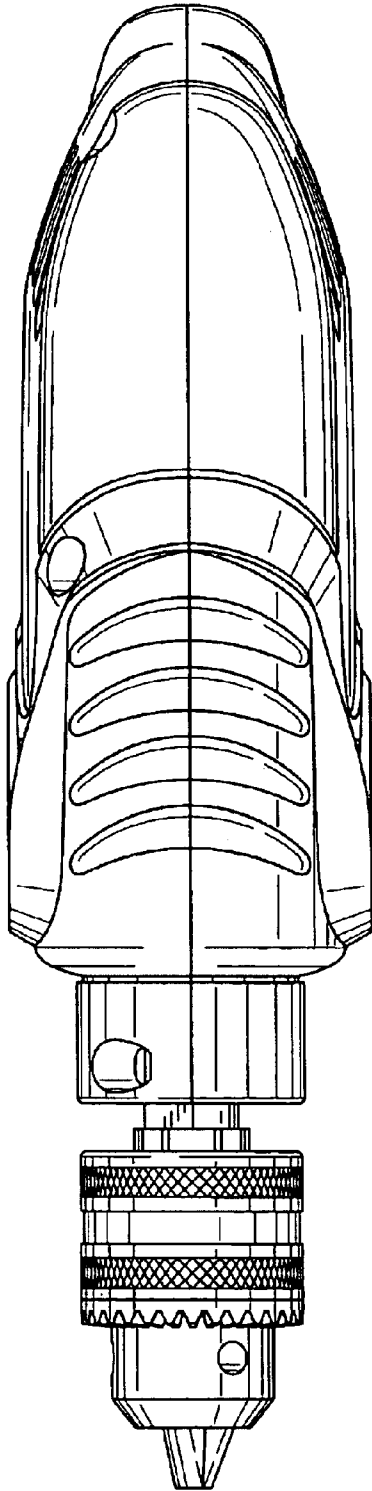


FIG. 7

