



US00D620439S

(12) **United States Design Patent**
Higuchi

(10) **Patent No.:** **US D620,439 S**

(45) **Date of Patent:** **** Jul. 27, 2010**

(54) **BOTTOM COVER OF AN ELECTRICAL JUNCTION BOX FOR AN AUTOMOBILE**

6,664,472 B2 * 12/2003 Saneto et al. 174/66
D566,657 S * 4/2008 Shen et al. D13/152

(75) Inventor: **Eiji Higuchi**, Yokkaichi (JP)

(73) Assignee: **Sumitomo Wiring Systems, Ltd.**,
Mie-Ken (JP)

(**) Term: **14 Years**

(21) Appl. No.: **29/329,932**

(22) Filed: **Dec. 23, 2008**

(30) **Foreign Application Priority Data**

Jul. 4, 2008 (JP) 2008-017359

(51) **LOC (9) Cl.** **13-03**

(52) **U.S. Cl.** **D13/126; D13/154**

(58) **Field of Classification Search** D13/126,
D13/146, 147, 154, 184, 199; 174/52.1,
174/59, 66; D14/256; 439/76, 344, 620,
439/638, 660, 668, 676

See application file for complete search history.

(56) **References Cited**

U.S. PATENT DOCUMENTS

D305,531 S * 1/1990 Suzuki et al. D13/126
D317,288 S 6/1991 Kubota
D317,294 S 6/1991 Hayashi
D357,899 S * 5/1995 Hopkins et al. D13/152
D405,421 S * 2/1999 Tennefoss et al. D13/152
D423,459 S 4/2000 Takase et al.
6,570,088 B1 * 5/2003 Depp et al. 174/50

FOREIGN PATENT DOCUMENTS

JP 956697 6/1996
JP 956705 6/1996
JP 2001-044655 2/2001
JP 1176984 6/2003

* cited by examiner

Primary Examiner—Daniel D Bui

Assistant Examiner—Thomas J Johannes

(74) *Attorney, Agent, or Firm*—Patterson Thuent
Christensen Pedersen, P.A.

(57) **CLAIM**

The ornamental design for a bottom cover of an electrical junction box for an automobile, as shown.

DESCRIPTION

FIG. 1 is a top front perspective view of a bottom cover of an electrical junction box for an automobile showing my new design;

FIG. 2 is a bottom rear perspective view thereof;

FIG. 3 is a front view thereof;

FIG. 4 is a rear view thereof;

FIG. 5 is a top plan view thereof;

FIG. 6 is a bottom plan view thereof;

FIG. 7 is a right side view thereof; and,

FIG. 8 is a left side view thereof.

1 Claim, 8 Drawing Sheets

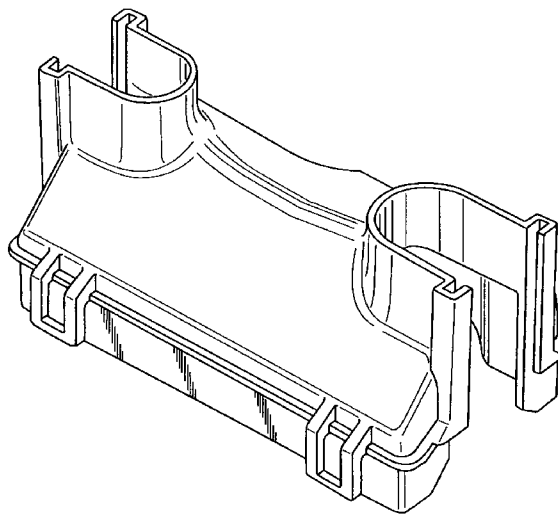
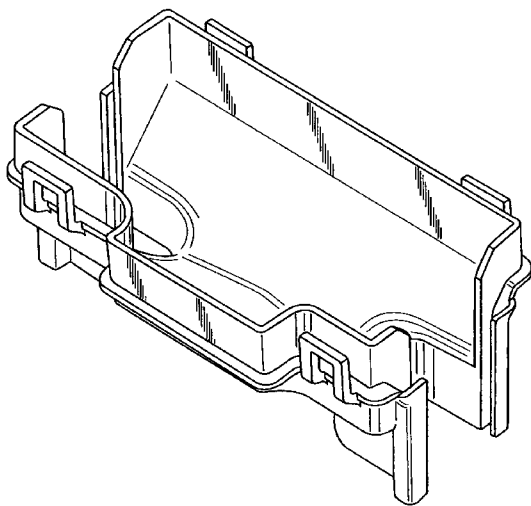


FIG. 1

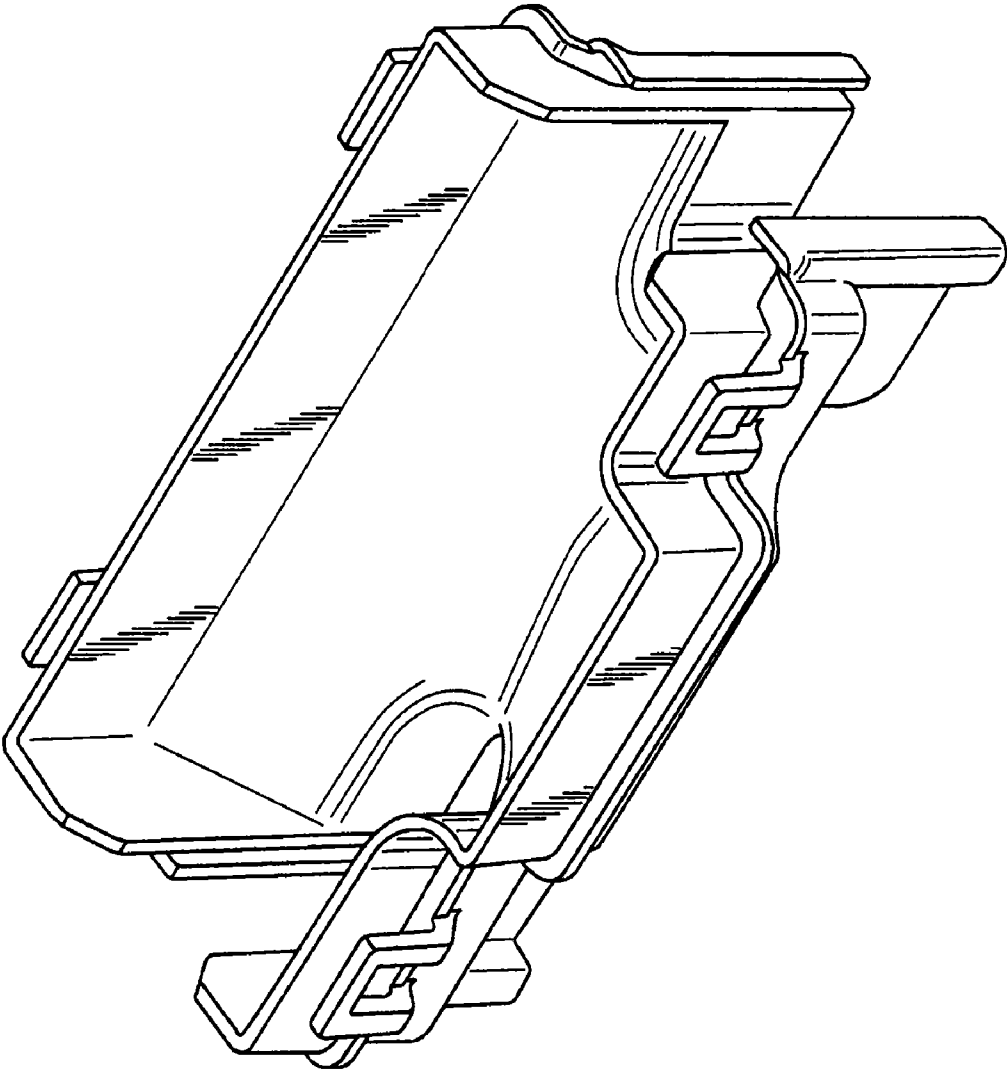


FIG. 2

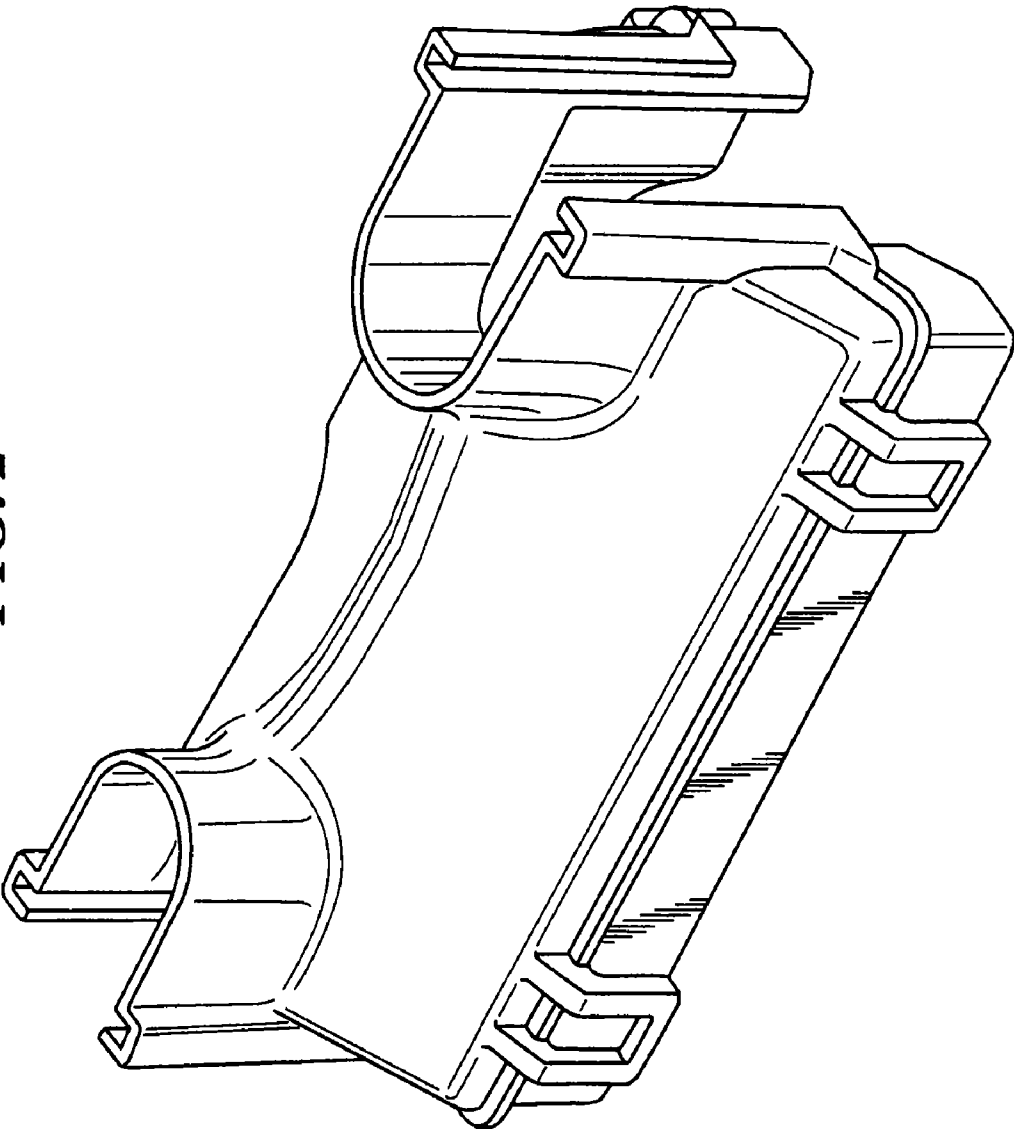


FIG. 3

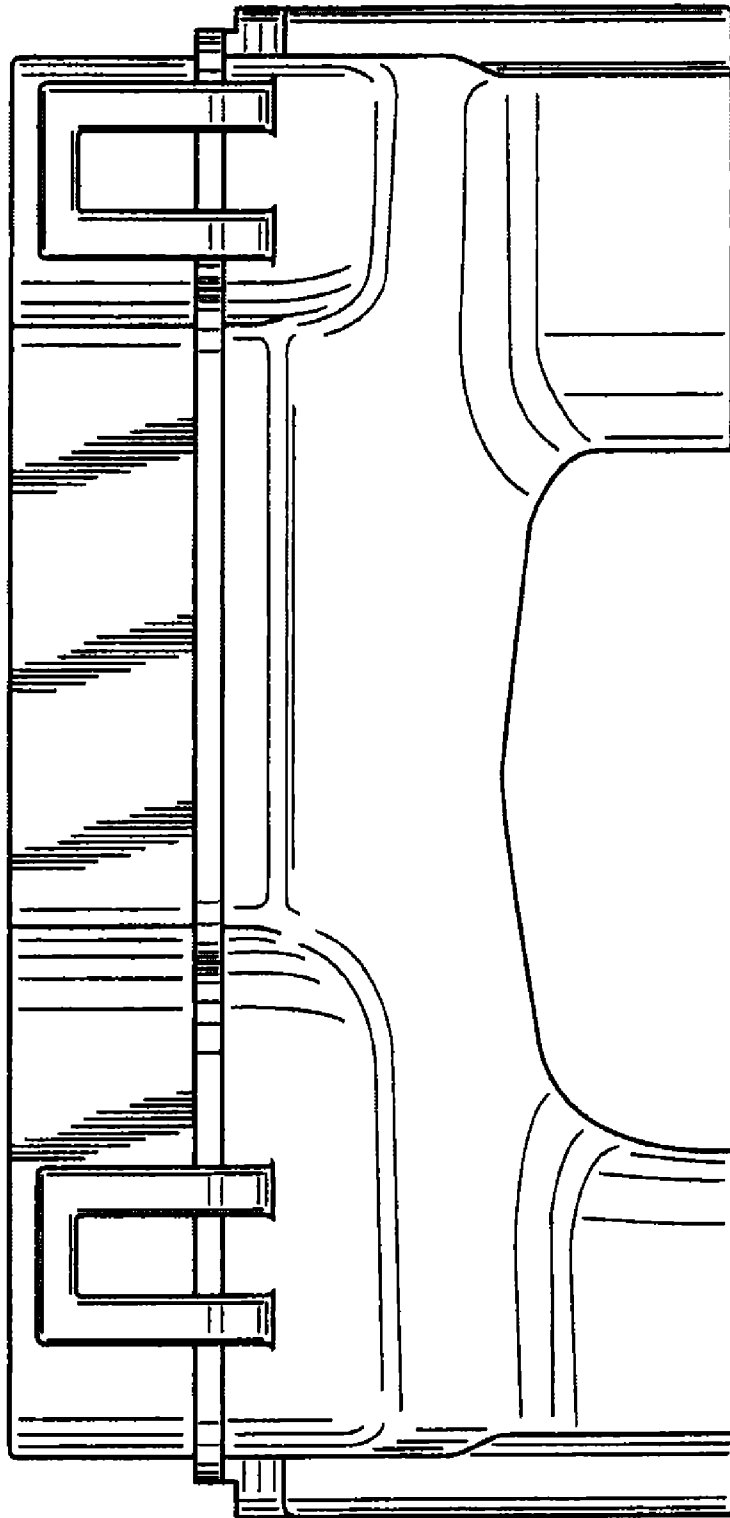


FIG. 4

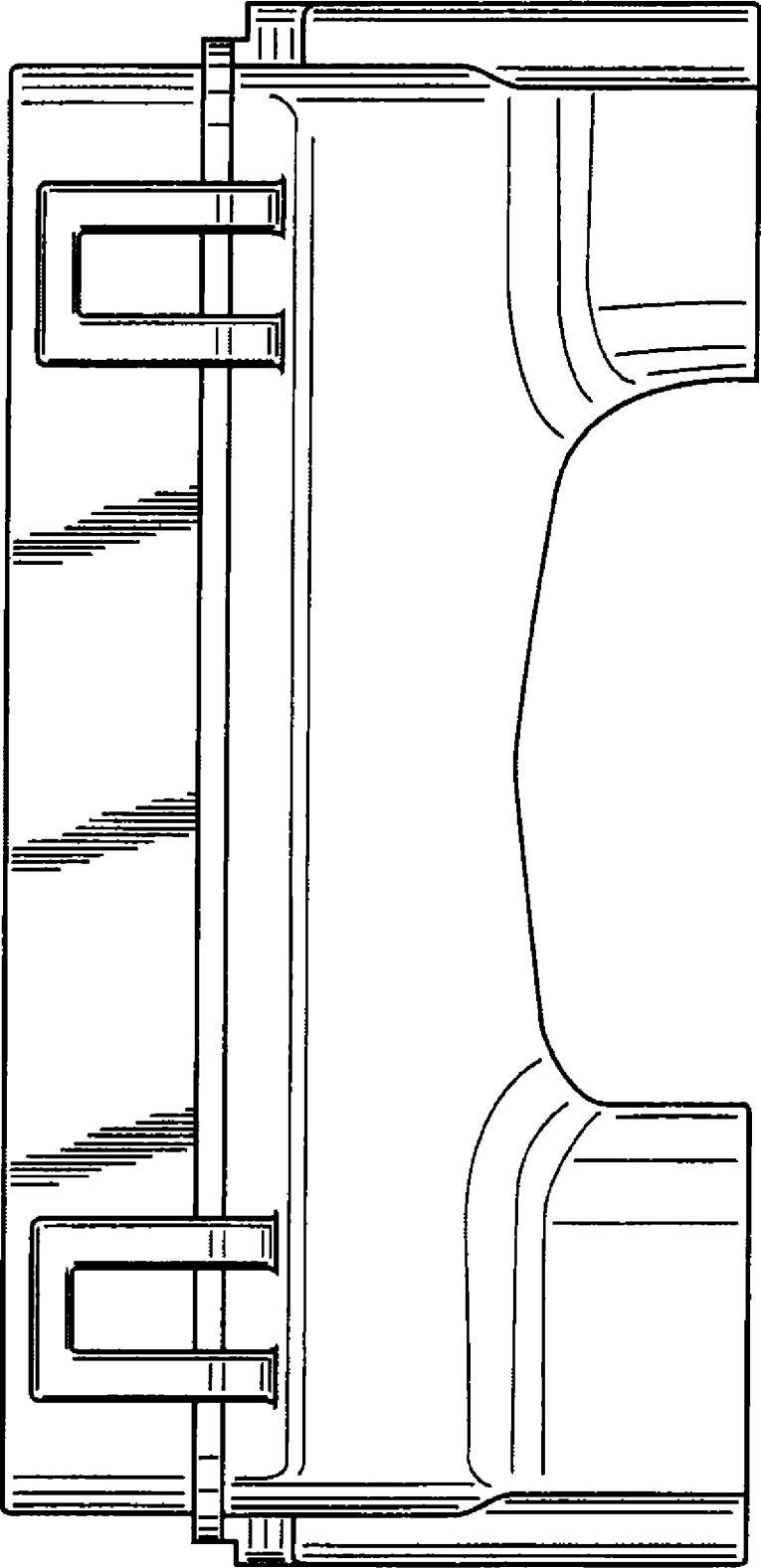


FIG. 5

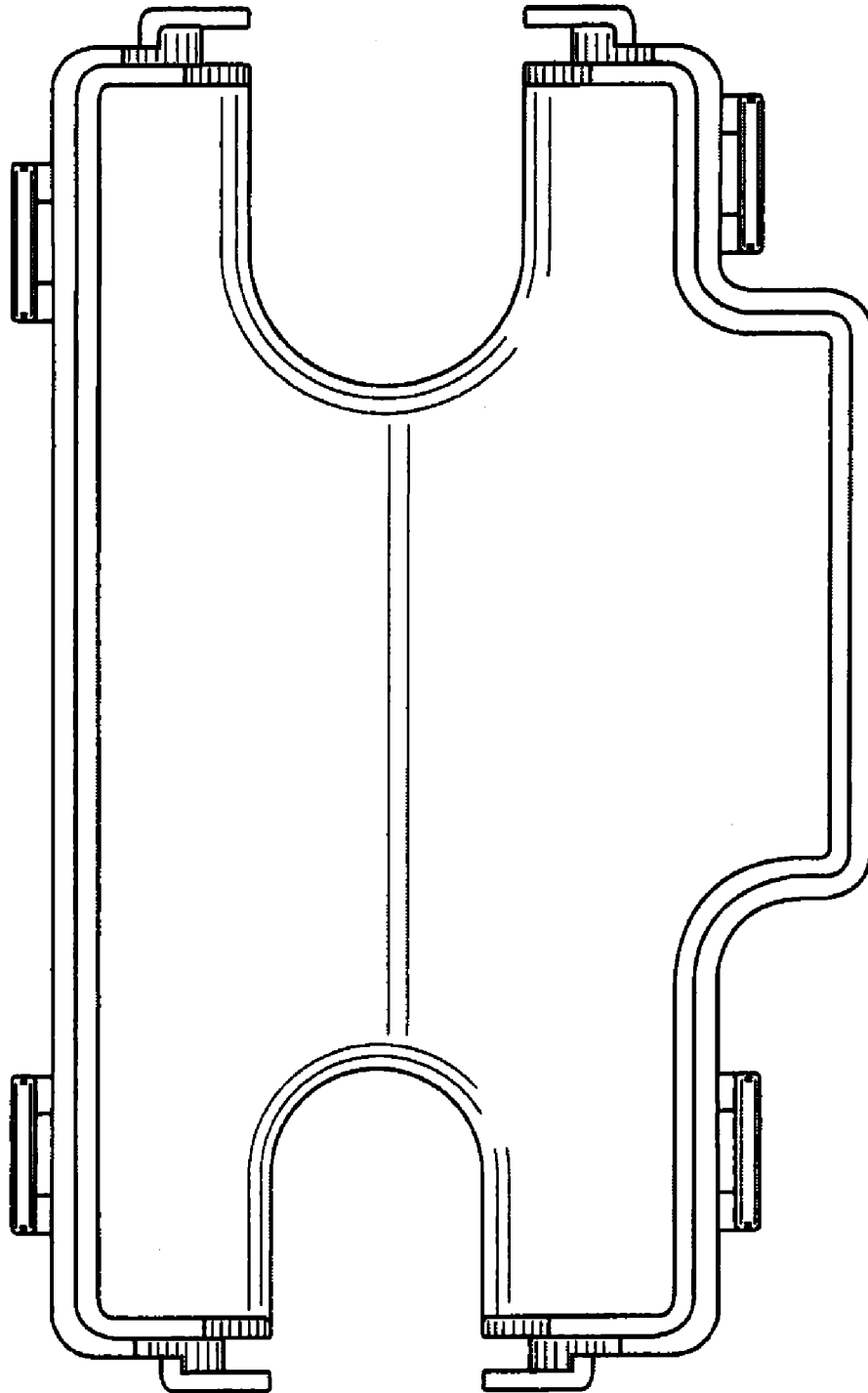


FIG. 6

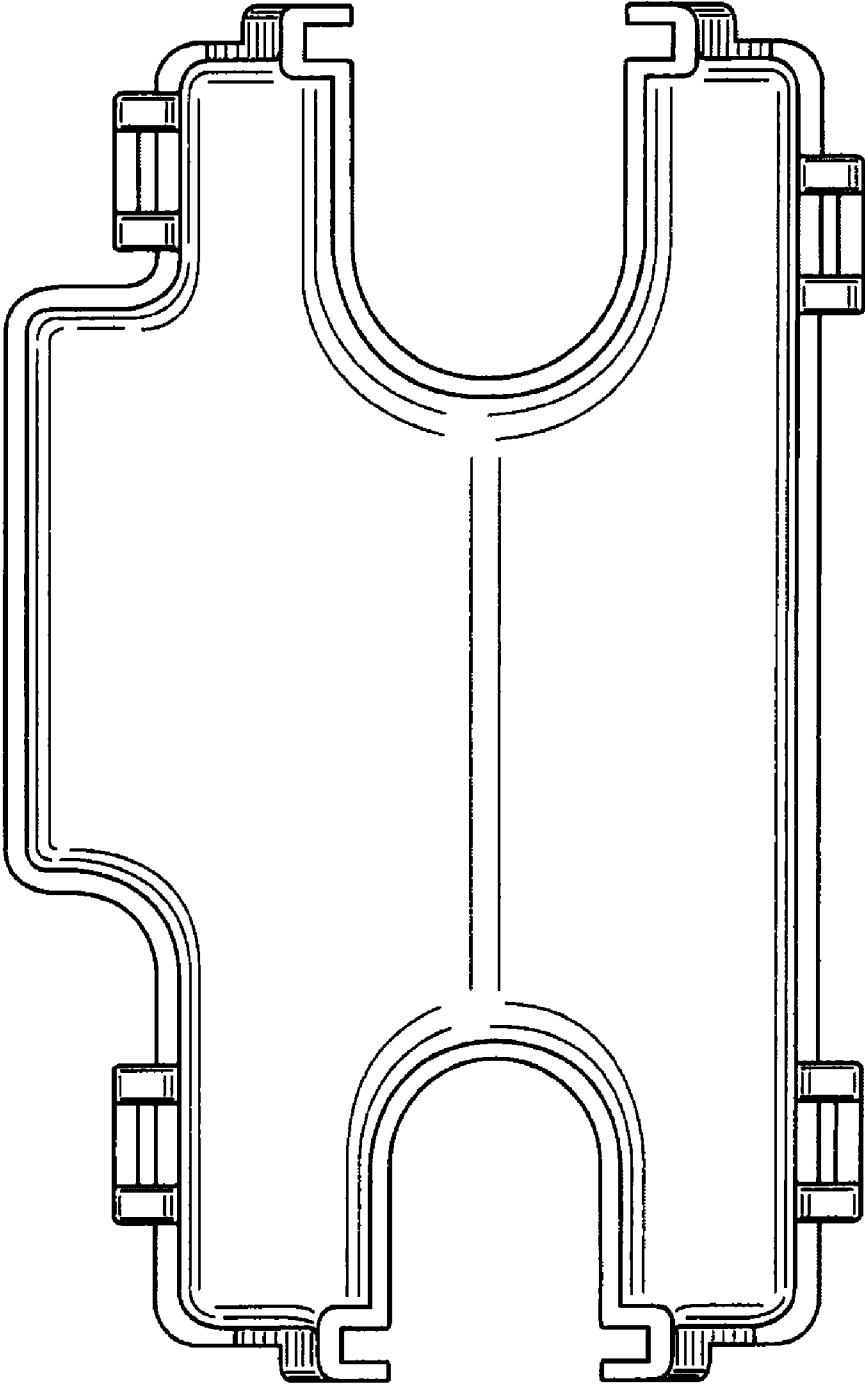


FIG. 7

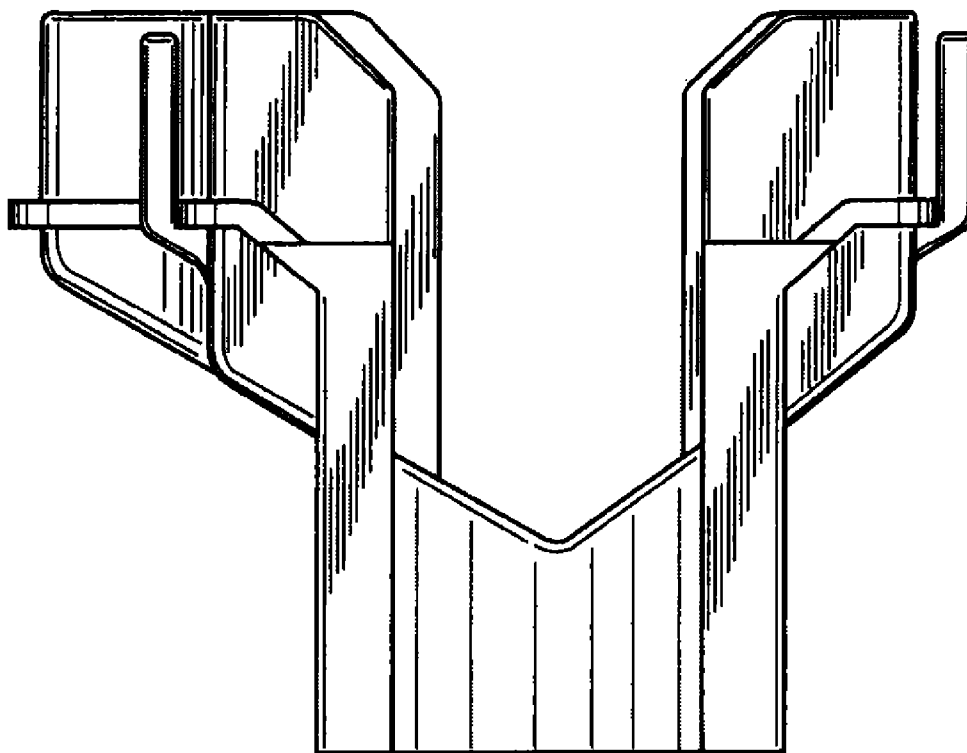


FIG. 8

