



US00D994262S

(12) **United States Design Patent**
Yang

(10) **Patent No.:** **US D994,262 S**

(45) **Date of Patent:** **** *Aug. 8, 2023**

(54) **PORTABLE WINE REFRIGERATOR**

(71) Applicant: **Guangzhou Juzhiyi Information Technology Co., Ltd.**, Guangzhou (CN)

(72) Inventor: **Taiping Yang**, Guangzhou (CN)

(*) Notice: This patent is subject to a terminal disclaimer.

(**) Term: **15 Years**

(21) Appl. No.: **29/772,562**

(22) Filed: **Mar. 2, 2021**

(51) **LOC (14) Cl.** **15-07**

(52) **U.S. Cl.**
USPC **D15/79**

(58) **Field of Classification Search**
USPC D15/79-91
CPC .. F25D 11/00; F25D 17/065; F25D 2325/022;
F25D 23/069; F25D 25/025; F25D 11/02;
F25D 17/062; F25D 21/12; F25D 21/125;
F25D 21/14; F25D 2317/061; F25D
2317/067; F25D 2323/021; F25D
2323/024; F25D 23/028; F25D 23/04;
F25D 23/066; F25D 23/085; F25D
23/087; F25D 23/126; F25D 2400/02;
F25D 2400/06; F25D 2400/361; F25D
2400/40; F25D 25/005; F25D 25/02;
F25D 2600/02; F25D 2700/02; F25D
2700/12; F25D 2700/121; F25D 2700/14;
F25D 29/00

See application file for complete search history.

(56) **References Cited**

U.S. PATENT DOCUMENTS

D478,601 S 8/2003 Becke
D491,580 S 6/2004 Stoddart
D493,181 S 7/2004 Kehoe

D512,081 S 11/2005 Chang
D630,231 S 1/2011 Yang et al.
D765,151 S 8/2016 Park et al.
D775,245 S 12/2016 Seo et al.
D783,688 S 4/2017 Park et al.
D794,684 S 8/2017 Mauffette
D814,215 S 4/2018 Yan
D829,244 S * 9/2018 Sullivan D15/79
D830,429 S * 10/2018 Brown D15/79
D836,993 S * 1/2019 Meda D7/605
D836,994 S * 1/2019 Meda D7/605
D876,490 S 2/2020 Yu et al.
D886,163 S 6/2020 Yao
D887,788 S * 6/2020 Meda D7/605
D887,789 S * 6/2020 Seiders D7/605
D888,503 S * 6/2020 Meda D7/605
D892,872 S 8/2020 Cho et al.
D896,856 S 9/2020 Zhou
D898,083 S * 10/2020 Yao D15/79
D901,558 S 11/2020 Kim et al.
D909,432 S * 2/2021 Xu D15/79

(Continued)

Primary Examiner — Khawaja Anwar

(74) *Attorney, Agent, or Firm* — Xiaofang Zhong

(57) **CLAIM**

The ornamental design for a portable wine refrigerator, as shown and described.

DESCRIPTION

FIG. 1 is a perspective view of a portable wine refrigerator showing my new design;

FIG. 2 is a front elevational view thereof;

FIG. 3 is a back elevational view thereof;

FIG. 4 is a left-side elevational view thereof;

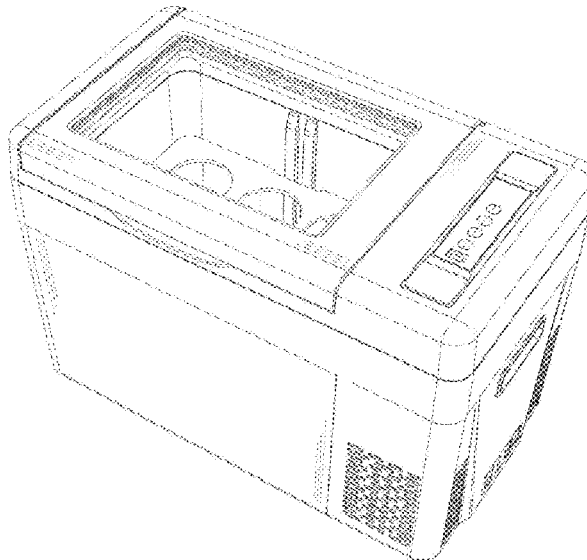
FIG. 5 is a right-side elevational view thereof;

FIG. 6 is a top plan view thereof; and,

FIG. 7 is a bottom plan view thereof.

The broken lines in the drawings depict portions of the portable wine refrigerator that form no part of the claimed design.

1 Claim, 7 Drawing Sheets



(56)

References Cited

U.S. PATENT DOCUMENTS

2014/0338390 A1* 11/2014 Pinto F25B 1/005
62/441
2015/0008242 A1* 1/2015 Kpabar, Jr. B67D 3/0061
222/183
2015/0122827 A1* 5/2015 Smith F25D 23/026
220/592.2
2015/0375918 A1* 12/2015 Holderness B65D 83/00
222/566
2017/0023290 A1* 1/2017 Demuth F25D 25/022

* cited by examiner

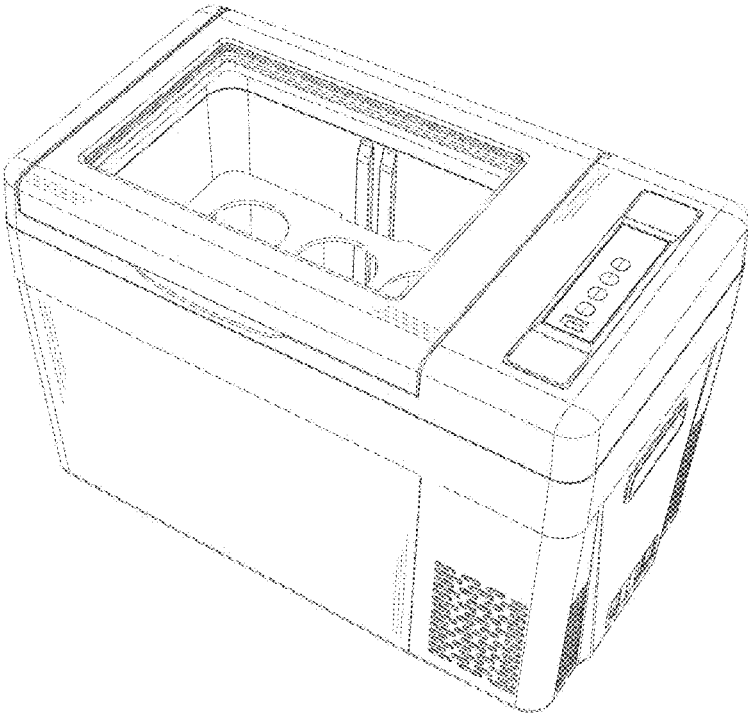


FIG.1

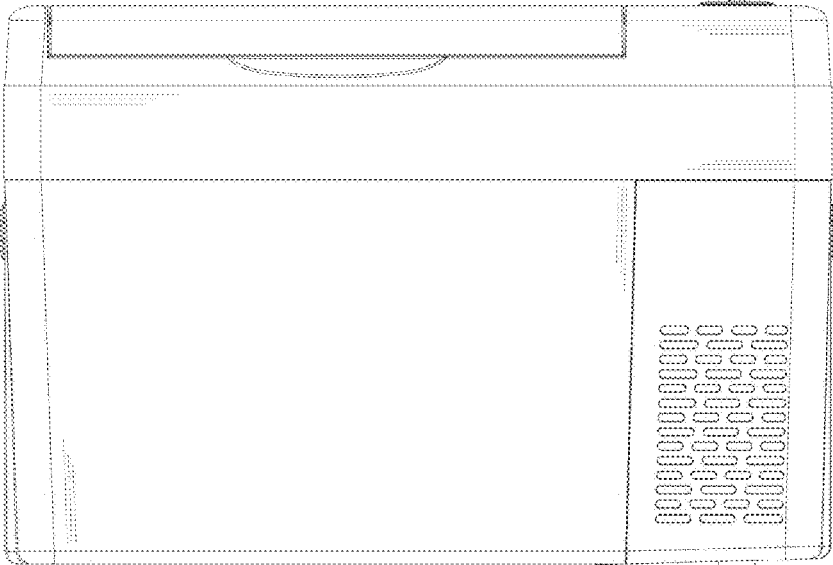


FIG.2

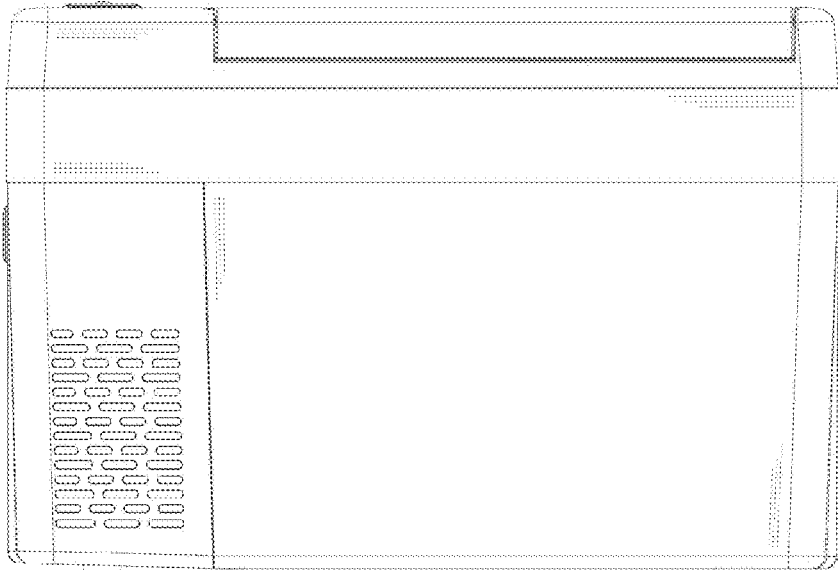


FIG.3

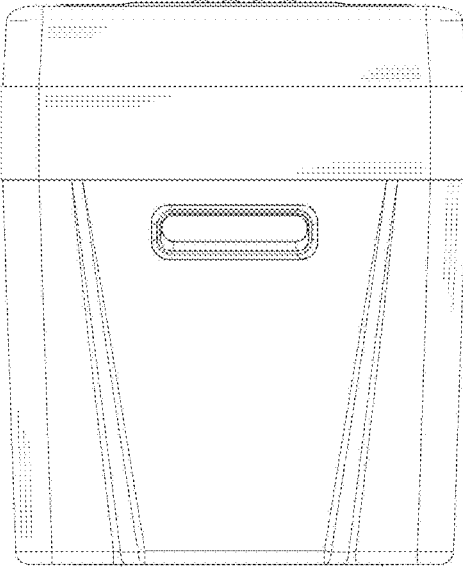


FIG.4

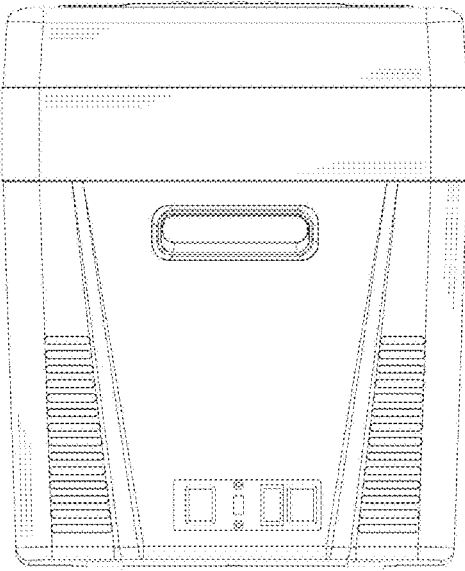


FIG.5

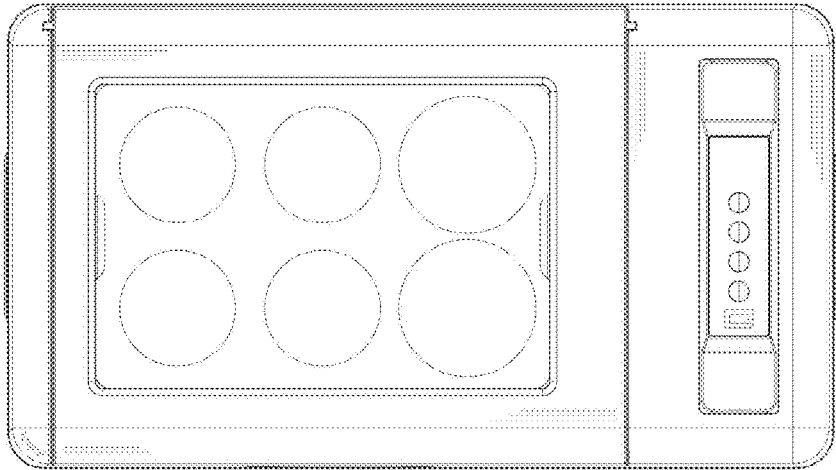


FIG.6

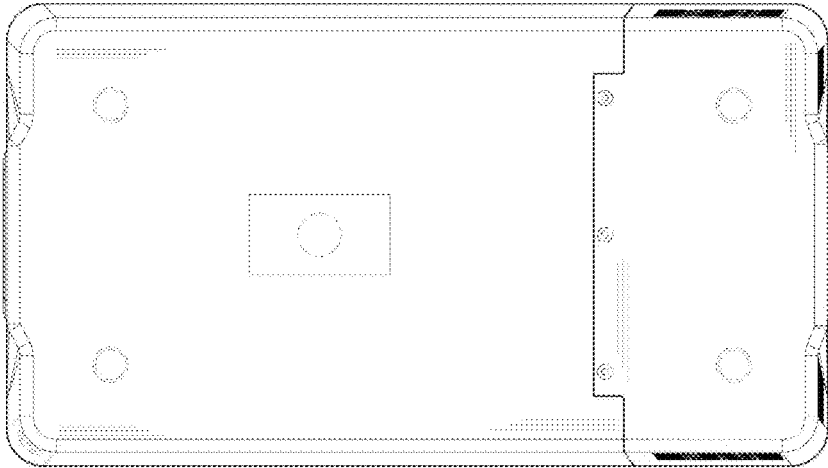


FIG.7