



- (51) International Patent Classification:
G06Q 99/00 (2006.01)
- (21) International Application Number:
PCT/US2014/026604
- (22) International Filing Date:
13 March 2014 (13.03.2014)
- (25) Filing Language: English
- (26) Publication Language: English
- (30) Priority Data:
61/779,034 13 March 2013 (13.03.2013) US
- (71) Applicant: WAKEEN, Ann, Marie [US/US]; 306 Maple Road, East Calais, VT 05650 (US).
- (72) Inventor; and
(71) Applicant : O'BRIEN, Catherine, E. [US/US]; 306 Maple Road, East Calais, VT 05650 (US).
- (74) Agent: HELLER, II, Morgan, S.; Downs Rachlin Martin PLLC, 199 Main Street, P.o. Box 190, Burlington, VT 05402-0190 (US).
- (81) Designated States (unless otherwise indicated, for every kind of national protection available): AE, AG, AL, AM,

AO, AT, AU, AZ, BA, BB, BG, BH, BN, BR, BW, BY, BZ, CA, CH, CL, CN, CO, CR, CU, CZ, DE, DK, DM, DO, DZ, EC, EE, EG, ES, FI, GB, GD, GE, GH, GM, GT, HN, HR, HU, ID, IL, IN, IR, IS, JP, KE, KG, KN, KP, KR, KZ, LA, LC, LK, LR, LS, LT, LU, LY, MA, MD, ME, MG, MK, MN, MW, MX, MY, MZ, NA, NG, NI, NO, NZ, OM, PA, PE, PG, PH, PL, PT, QA, RO, RS, RU, RW, SA, SC, SD, SE, SG, SK, SL, SM, ST, SV, SY, TH, TJ, TM, TN, TR, TT, TZ, UA, UG, US, UZ, VC, VN, ZA, ZM, ZW.

- (84) Designated States (unless otherwise indicated, for every kind of regional protection available): ARIPO (BW, GH, GM, KE, LR, LS, MW, MZ, NA, RW, SD, SL, SZ, TZ, UG, ZM, ZW), Eurasian (AM, AZ, BY, KG, KZ, RU, TJ, TM), European (AL, AT, BE, BG, CH, CY, CZ, DE, DK, EE, ES, FI, FR, GB, GR, HR, HU, IE, IS, IT, LT, LU, LV, MC, MK, MT, NL, NO, PL, PT, RO, RS, SE, SI, SK, SM, TR), OAPI (BF, BJ, CF, CG, CL, CM, GA, GN, GQ, GW, KM, ML, MR, NE, SN, TD, TG).

Published:

— with international search report (Art. 21(3))

[Continued on next page]

(54) Title: METHODS AND SOFTWARE FOR FACILITATING THEME-BASED ONLINE SOCIAL INTERACTION, SUPPORT, AWARENESS, AND LEARNING

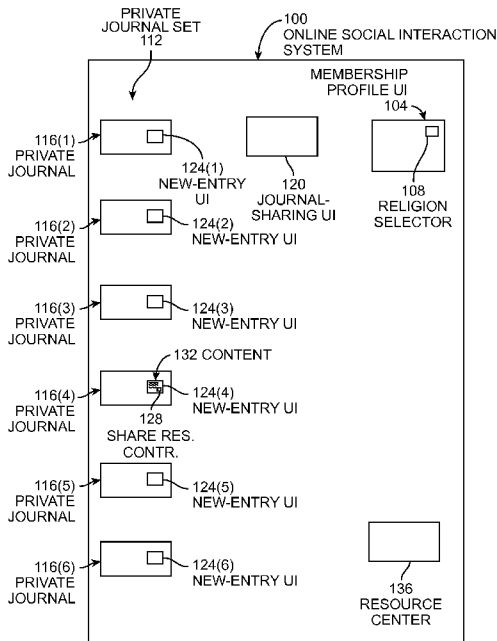


FIG. 1

(57) Abstract: Online social-interaction systems that provide any of a variety of features that promote positive behaviors, such as social interaction, compassion, support, awareness, and learning. In some embodiments, an online social-interaction system provides multiple private journals that members of the system can selectively share with other members of the social-interaction system. The private journals may be directed to aspects, such as practices, beliefs, tenets, etc., of the corresponding community. In some embodiments, private journals are provided with action-request features and functionalities that allow other members to accept action requests and create followup lists for following up on such requests. In some embodiments, private journals are provided with features that allow members to share helpful resources. In some embodiments, features and functionalities are provided to allow members to participate in meditation sessions.

WO 2015/020697 A3

— *before the expiration of the time limit for amending the claims and to be republished in the event of receipt of amendments (Rule 48.2(h))*

(88) Date of publication of the international search report:
2 April 2015

INTERNATIONAL SEARCH REPORT

International application No.
PCT/US 14/26604

A. CLASSIFICATION OF SUBJECT MATTER
 IPC(8) - G06Q 99/00 (2014.01)
 CPC - G06Q 50/01; G06Q 30/02; G06Q 10/10
 According to International Patent Classification (IPC) or to both national classification and IPC

B. FIELDS SEARCHED
 Minimum documentation searched (classification system followed by classification symbols)
 IPC(8): G06Q 99/00 (2014.01)
 CPC: G06Q 50/01; G06Q 30/02; G06Q 10/10

Documentation searched other than minimum documentation to the extent that such documents are included in the fields searched
 IPC(8): G06Q 99/00 (2014.01); CPC: G06Q 50/01; G06Q 30/02; G06Q 10/10; G06Q 30/0601; G06Q 99/00; USPC: 705/319; 705/1.1
 (keyword limited; terms below)

Electronic data base consulted during the international search (name of data base and, where practicable, search terms used)
 PatBase; Google(Web); Search terms used: online community social interaction support awareness learning membership join private journal common entry share select friends name identifying

C. DOCUMENTS CONSIDERED TO BE RELEVANT

Category*	Citation of document, with indication, where appropriate, of the relevant passages	Relevant to claim No.
X	US 2011/0276396 A1 (Rathod) 10 November 2011 (10.11.2011), entire document especially Fig 77, 84, 85, 90; para [0021], [0086], [0308], [0342]-[0383], [0401], [0402], [0448]-[0454]	1-15
A	US 2010/0205179 A1 (Carson et al.) 12 August 2010 (12.08.2010), entire document	1-15
A	US 2008/0306851 A1 (Weyerman) 11 December 2008 (11.12.2008), entire document	1-15

Further documents are listed in the continuation of Box C.

* Special categories of cited documents:

“A” document defining the general state of the art which is not considered to be of particular relevance	“T” later document published after the international filing date or priority date and not in conflict with the application but cited to understand the principle or theory underlying the invention
“E” earlier application or patent but published on or after the international filing date	“X” document of particular relevance; the claimed invention cannot be considered novel or cannot be considered to involve an inventive step when the document is taken alone
“L” document which may throw doubts on priority claim(s) or which is cited to establish the publication date of another citation or other special reason (as specified)	“Y” document of particular relevance; the claimed invention cannot be considered to involve an inventive step when the document is combined with one or more other such documents, such combination being obvious to a person skilled in the art
“O” document referring to an oral disclosure, use, exhibition or other means	“&” document member of the same patent family
“P” document published prior to the international filing date but later than the priority date claimed	

Date of the actual completion of the international search 25 December 2014 (25.12.2014)	Date of mailing of the international search report 22 JAN 2015
--	--

Name and mailing address of the ISA/US Mail Stop PCT, Attn: ISA/US, Commissioner for Patents P.O. Box 1450, Alexandria, Virginia 22313-1450 Facsimile No. 571-273-3201	Authorized officer: Lee W. Young PCT Helpdesk: 571-272-4300 PCT OSP: 571-272-7774
---	--

INTERNATIONAL SEARCH REPORT

International application No.

PCT/US 14/26604

Box No. II Observations where certain claims were found unsearchable (Continuation of item 2 of first sheet)

This international search report has not been established in respect of certain claims under Article 17(2)(a) for the following reasons:

- 1. Claims Nos.:
because they relate to subject matter not required to be searched by this Authority, namely:

- 2. Claims Nos.:
because they relate to parts of the international application that do not comply with the prescribed requirements to such an extent that no meaningful international search can be carried out, specifically:

- 3. Claims Nos.: 16
because they are dependent claims and are not drafted in accordance with the second and third sentences of Rule 6.4(a).

Box No. III Observations where unity of invention is lacking (Continuation of item 3 of first sheet)

This International Searching Authority found multiple inventions in this international application, as follows:

- 1. As all required additional search fees were timely paid by the applicant, this international search report covers all searchable claims.
- 2. As all searchable claims could be searched without effort justifying additional fees, this Authority did not invite payment of additional fees.
- 3. As only some of the required additional search fees were timely paid by the applicant, this international search report covers only those claims for which fees were paid, specifically claims Nos.:

- 4. No required additional search fees were timely paid by the applicant. Consequently, this international search report is restricted to the invention first mentioned in the claims; it is covered by claims Nos.:

Remark on Protest

- The additional search fees were accompanied by the applicant's protest and, where applicable, the payment of a protest fee.
- The additional search fees were accompanied by the applicant's protest but the applicable protest fee was not paid within the time limit specified in the invitation.
- No protest accompanied the payment of additional search fees.