



US00D547788S

(12) **United States Design Patent**
Cheng

(10) **Patent No.:** **US D547,788 S**

(45) **Date of Patent:** **** Jul. 31, 2007**

(54) **EYEGEAR**

(76) Inventor: **Yu-Chih Cheng**, No. 10, Alley 16,
Lane 40, Ta-Wan Rd., Yung-Kang City,
Tainan Hsien (TW)

(**) Term: **14 Years**

(21) Appl. No.: **29/269,448**

(22) Filed: **Nov. 29, 2006**

(30) **Foreign Application Priority Data**

Jul. 26, 2006 (TW) 95304167

(51) **LOC (8) Cl.** **16-06**

(52) **U.S. Cl.** **D16/311**

(58) **Field of Classification Search** 2/434-437,
2/441, 447-449, 12, 87, 174, 452, 454, 426-432;
D16/101, 300-330, 332-338, 900; D21/190;
D24/110.2; 351/41, 47, 51, 52, 61-63, 86,
351/87, 92, 103-111, 114, 117, 119, 121-124,
351/128, 130-132, 136-139, 153, 158
See application file for complete search history.

(56) **References Cited**

U.S. PATENT DOCUMENTS

5,410,763 A * 5/1995 Bolle 2/436
5,719,655 A * 2/1998 Peschel et al. 351/111

6,367,091 B1 * 4/2002 Chiang 2/428
6,473,909 B1 * 11/2002 Chou 2/428
D482,383 S * 11/2003 Lee D16/311
D535,678 S * 1/2007 Lane et al. D16/311
D536,361 S * 2/2007 Sheldon et al. D16/311
2005/0108812 A1 * 5/2005 Wu 2/426

* cited by examiner

Primary Examiner—T. Chase Nelson

Assistant Examiner—Barbara Blanton Lohr

(74) *Attorney, Agent, or Firm*—MacPherson Kwok Chen &
Heid LLP

(57) **CLAIM**

The ornamental design for eyegear, as shown and described.

DESCRIPTION

FIG. 1 is a perspective view of eyegear showing my new design;

FIG. 2 is a front elevational view thereof;

FIG. 3 is a rear elevational view thereof;

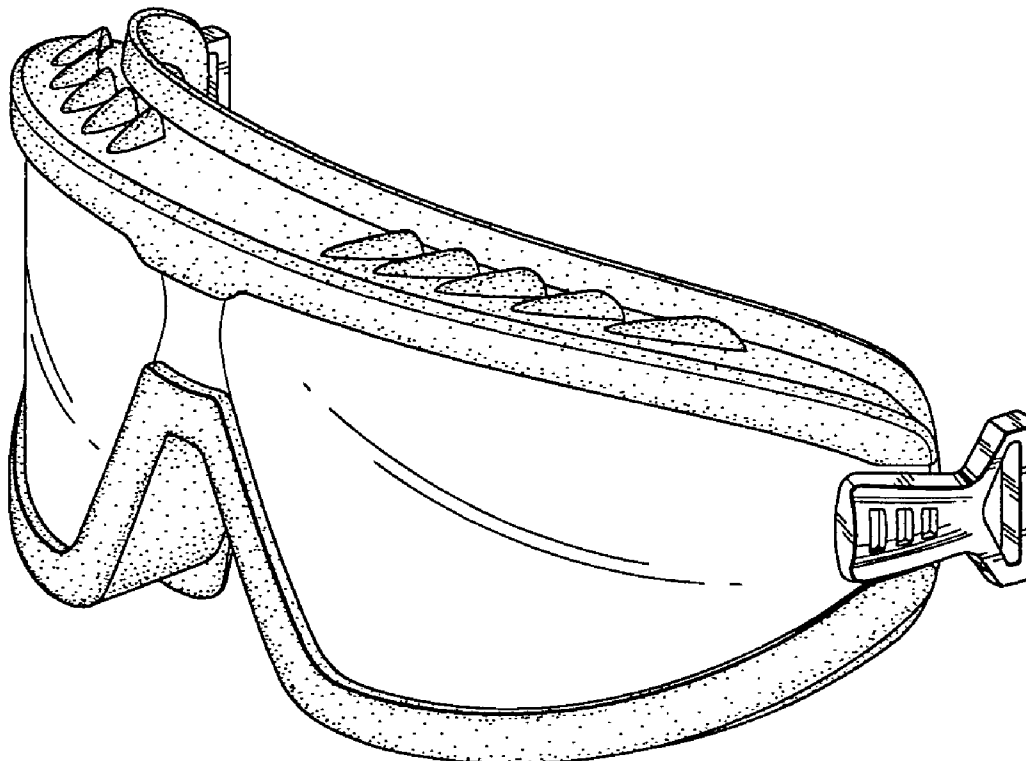
FIG. 4 is a left side elevational view thereof;

FIG. 5 is a right side elevational view thereof;

FIG. 6 is a top plan view thereof; and,

FIG. 7 is a bottom plan view thereof.

1 Claim, 4 Drawing Sheets



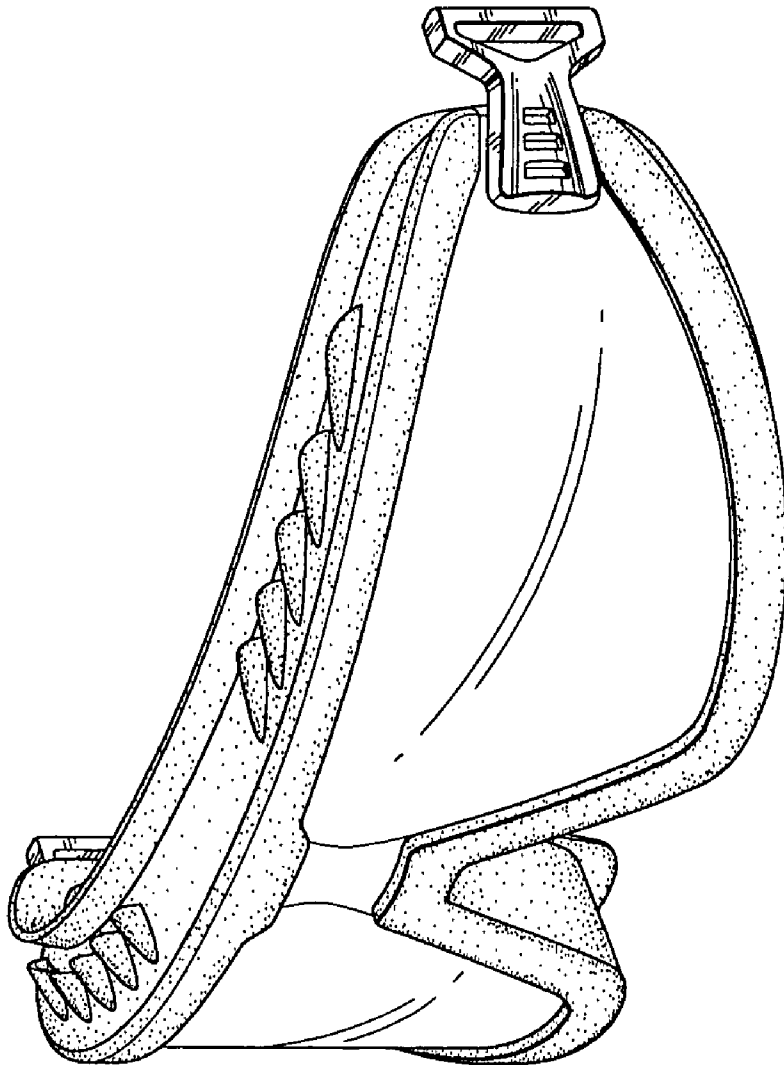


FIG. 1

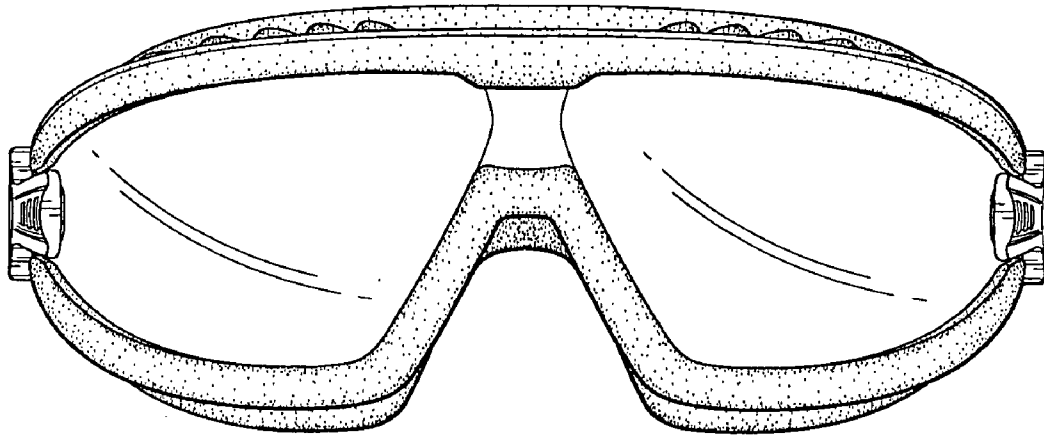


FIG. 2

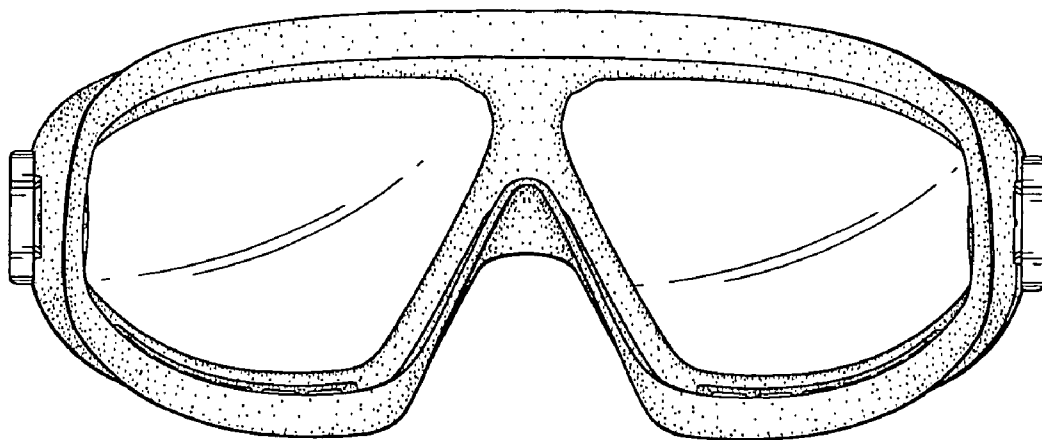


FIG. 3

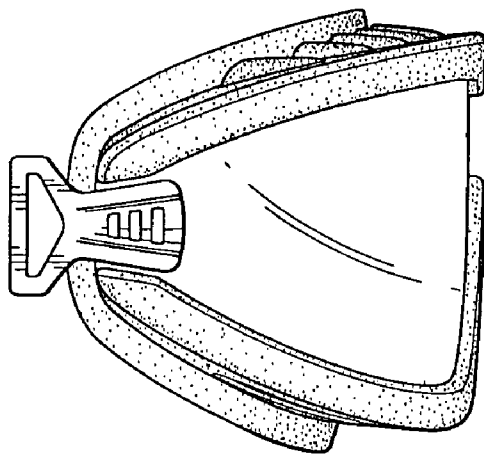


FIG. 4

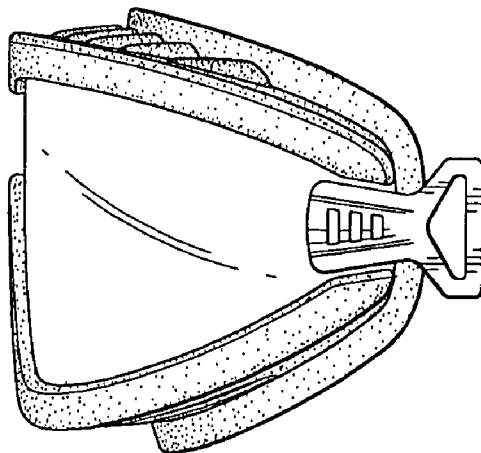


FIG. 5

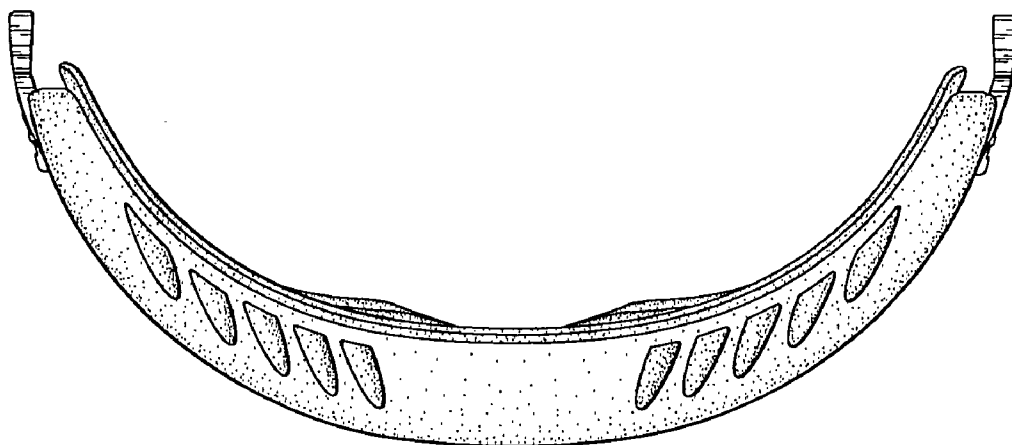


FIG. 6

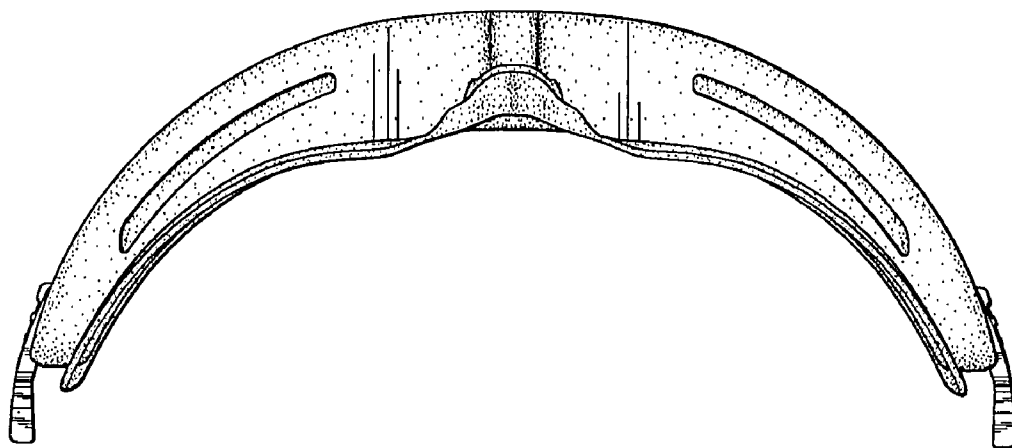


FIG. 7