



US00D602858S

(12) **United States Design Patent**
Ellis et al.

(10) **Patent No.:** **US D602,858 S**
(45) **Date of Patent:** **** Oct. 27, 2009**

(54) **REMOTE CONTROL CHARGING BASE**

(75) Inventors: **Vincent W. Ellis**, Plano, TX (US);
Albert M. Forlenza, San Diego, CA
(US); **Kenneth Scott Carpenter**,
Rowlett, TX (US); **Michael S. Farmer**,
Plano, TX (US); **Michael Zalta**,
Richardson, TX (US)

(73) Assignee: **AMX LLC**, Richardson, TX (US)

(**) Term: **14 Years**

(21) Appl. No.: **29/265,665**

(22) Filed: **Sep. 6, 2006**

(51) **LOC (9) Cl.** **13-02**

(52) **U.S. Cl.** **D13/108**

(58) **Field of Classification Search** D13/102,
D13/107-110, 118-119, 184; D14/251,
D14/253, 432, 434; 320/107-115
See application file for complete search history.

(56) **References Cited**

U.S. PATENT DOCUMENTS

D409,563 S *	5/1999	Haase et al.	D13/107
D459,299 S *	6/2002	Hughes et al.	D13/108
D508,458 S *	8/2005	Solland et al.	D13/108
D521,927 S *	5/2006	Franck et al.	D13/108

D525,583 S *	7/2006	Vu	D13/108
D537,409 S *	2/2007	Suzuki	D13/108
D558,207 S *	12/2007	Ikeda et al.	D14/434
D558,208 S *	12/2007	Ikeda et al.	D14/434
D558,209 S *	12/2007	Ikeda et al.	D14/434
D575,289 S *	8/2008	Kuo et al.	D14/434
D585,898 S *	2/2009	Skurdal	D14/434

* cited by examiner

Primary Examiner—Jennifer Rivard
Assistant Examiner—Rosemary K Tarcza

(57) **CLAIM**

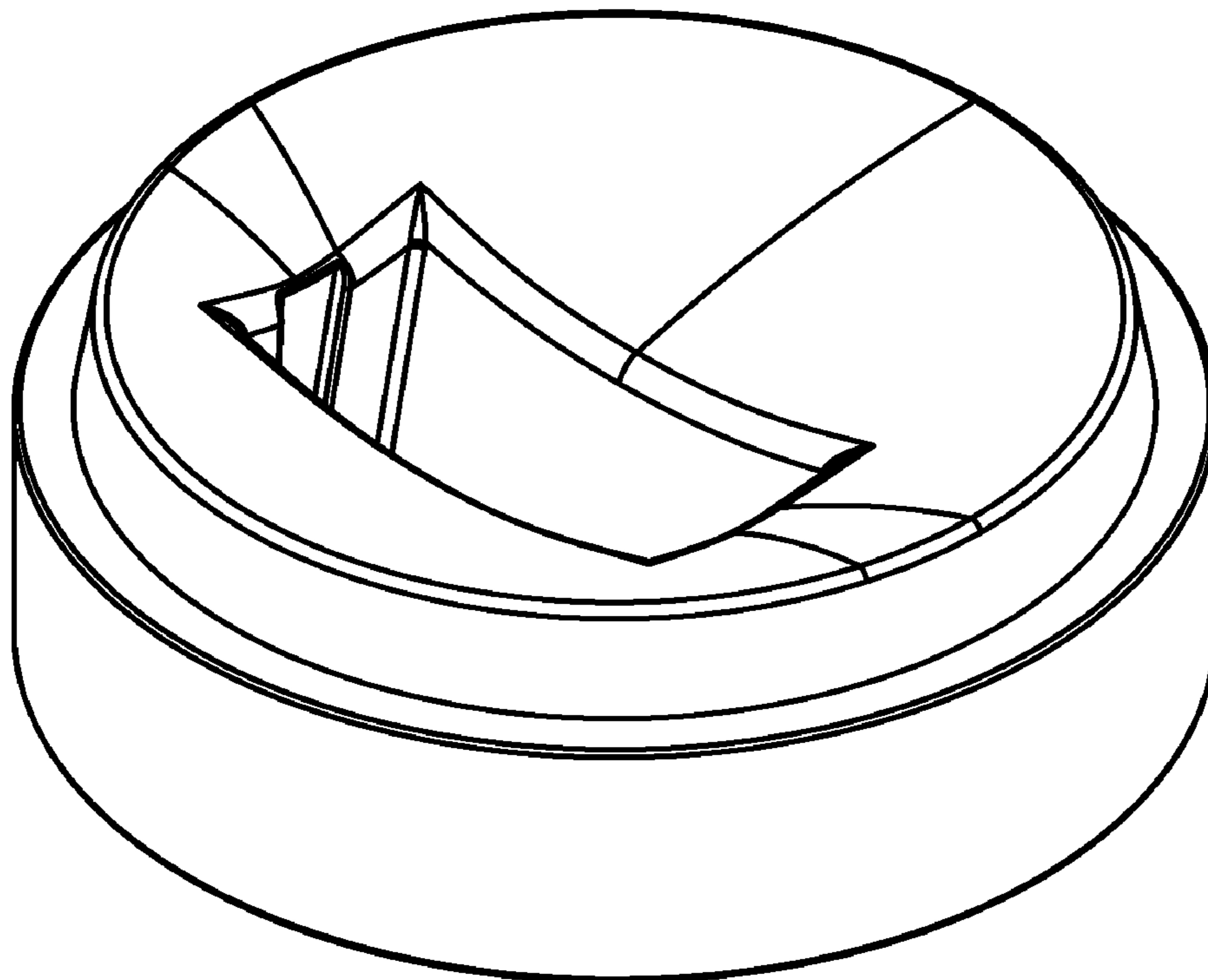
The ornamental design for a remote control charging base, as shown and described.

DESCRIPTION

FIG. 1 is a perspective view of a remote control charging base showing our new design;
FIG. 2 is a bottom view thereof;
FIG. 3 is a top view thereof; and,
FIG. 4 is a side elevational view, the opposite side being a mirror image thereof.

The broken lines shown in the drawings are included for the purpose of illustrating environmental structure and form no part of the claimed design.

1 Claim, 4 Drawing Sheets



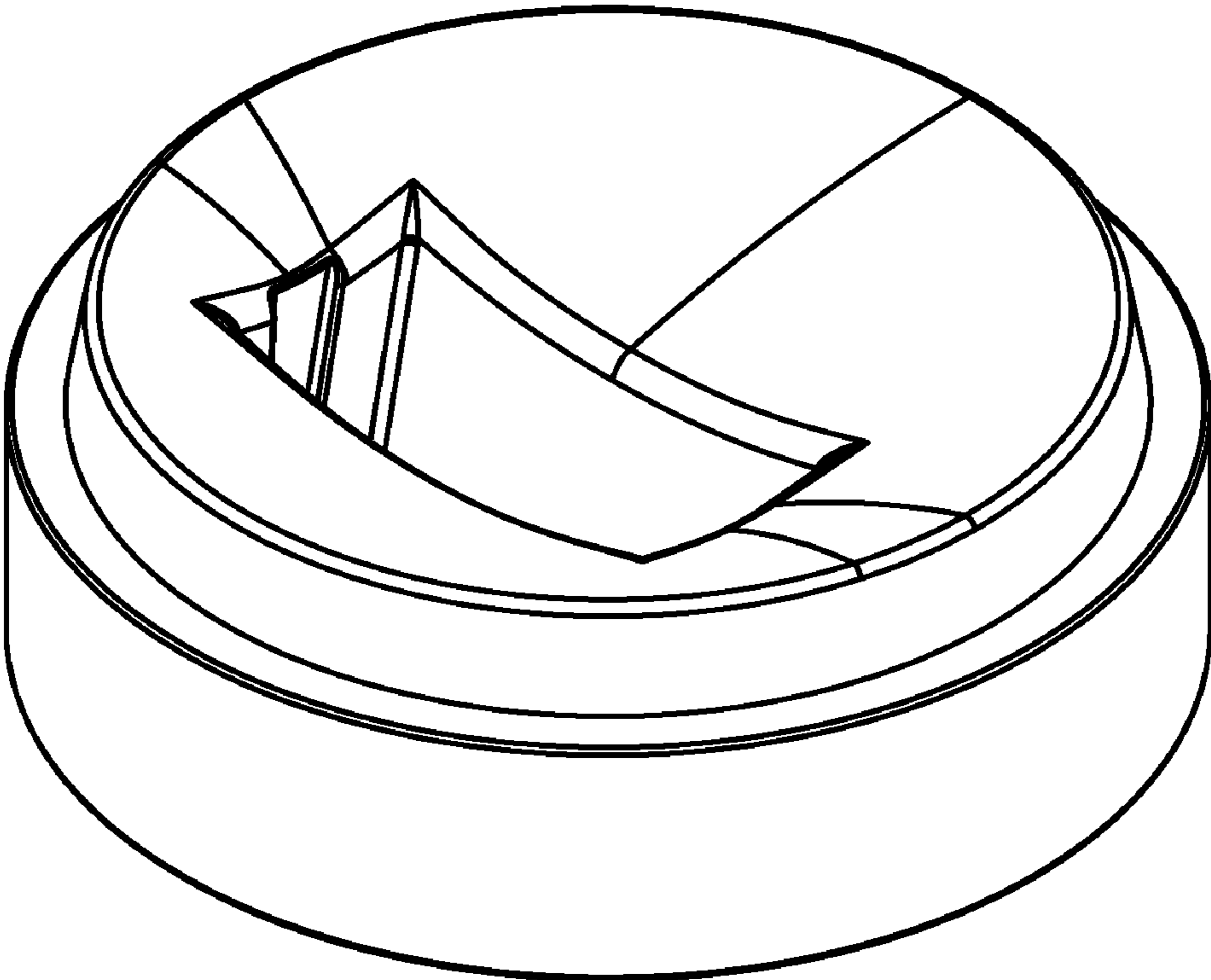


FIG. 1

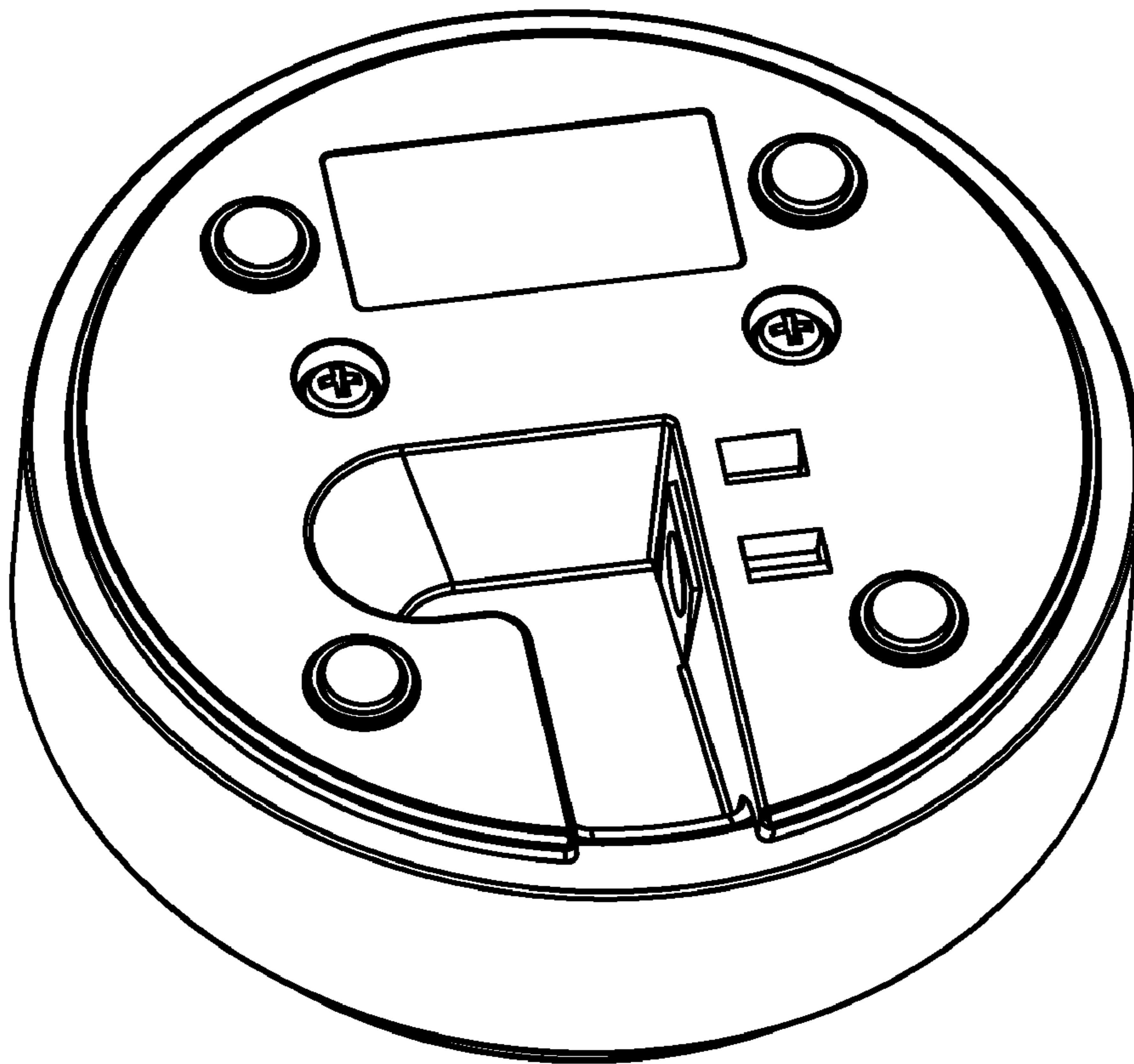


FIG. 2

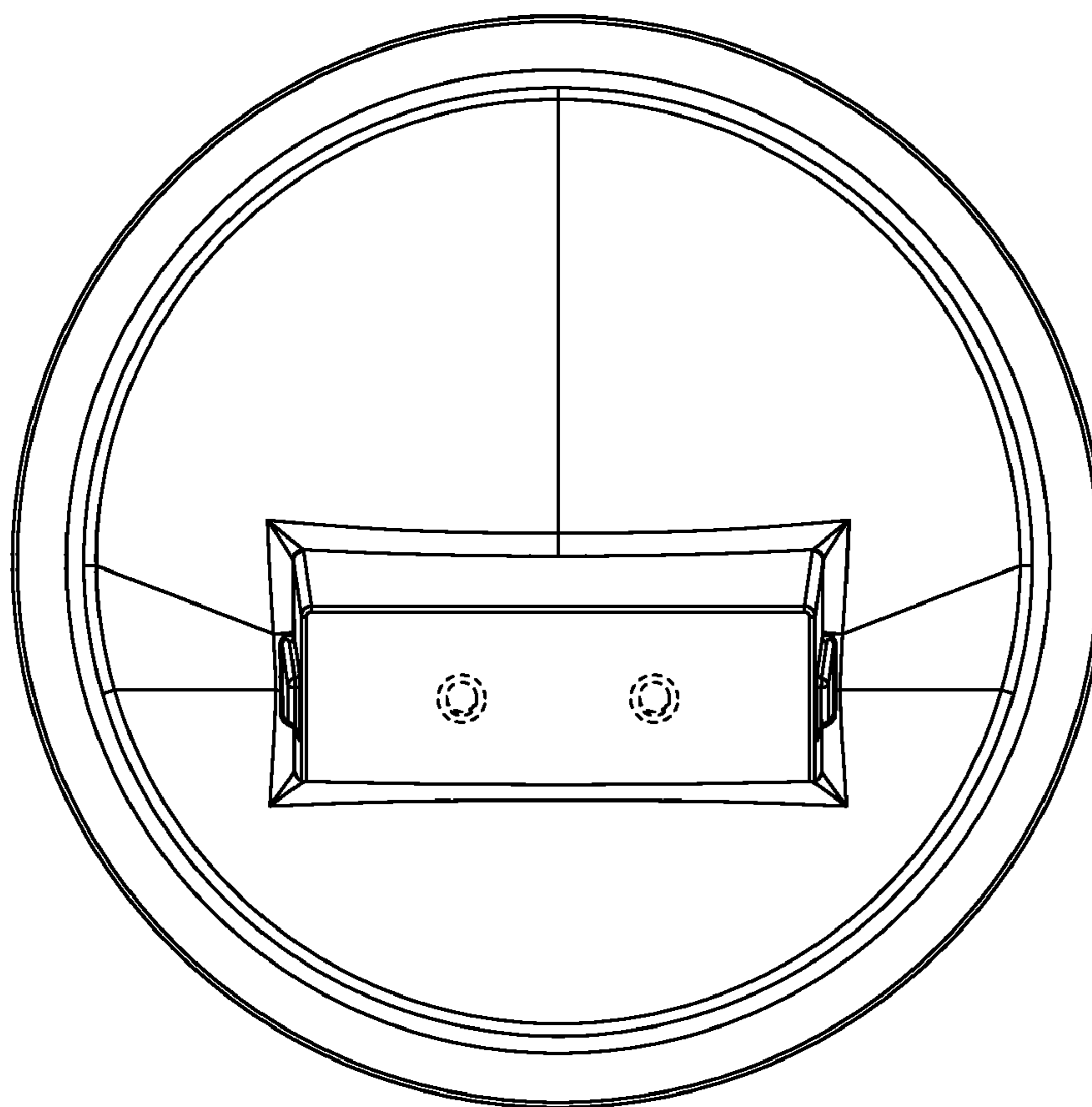


FIG. 3

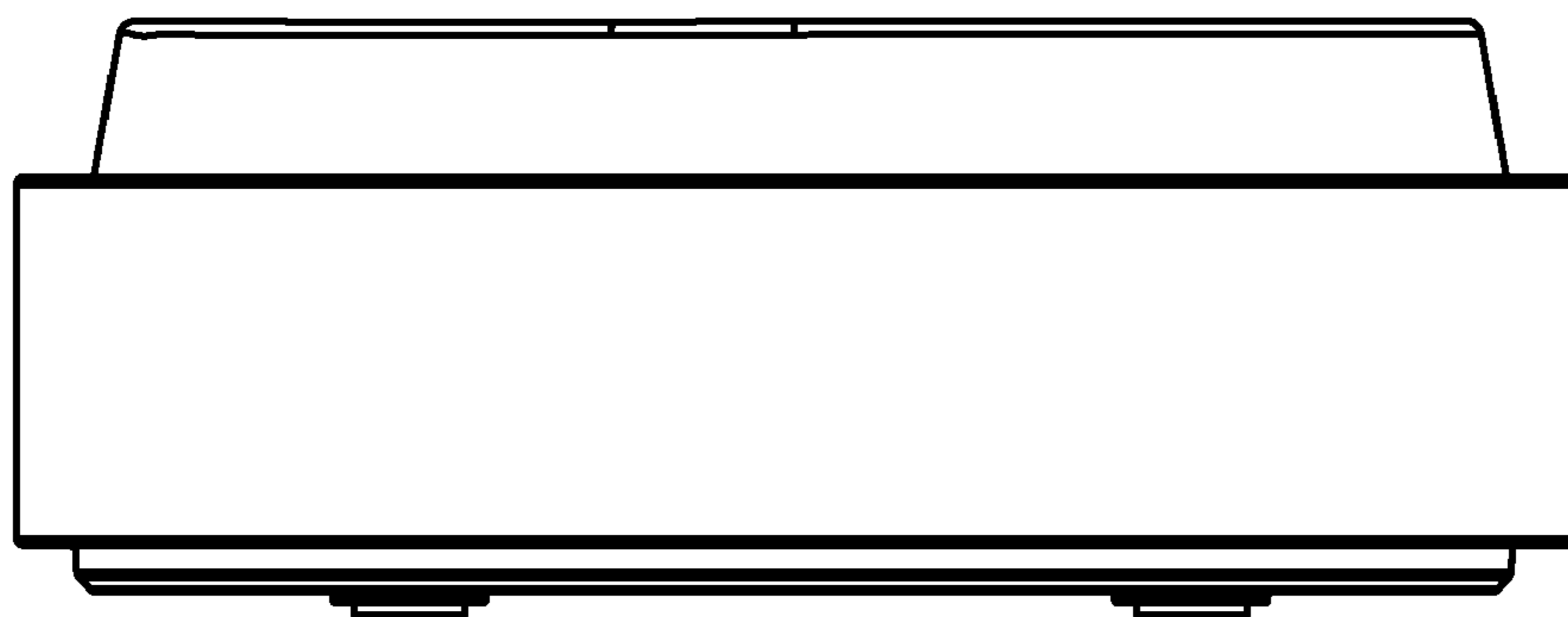


FIG. 4