



US00D953181S

(12) **United States Design Patent**  
**Cha**

(10) **Patent No.:** **US D953,181 S**

(45) **Date of Patent:** **\*\* May 31, 2022**

- (54) **BODY WATER MEASURER**
- (71) Applicant: **InBody Co., Ltd.**, Seoul (KR)
- (72) Inventor: **Ki Chul Cha**, Seoul (KR)
- (73) Assignee: **InBody Co., Ltd.**, Seoul (KR)
- (\*\*) Term: **15 Years**
- (21) Appl. No.: **29/707,816**
- (22) Filed: **Oct. 1, 2019**

D417,440 S \* 12/1999 Wilson ..... D10/93  
 D480,655 S \* 10/2003 Medugorac ..... D10/91  
 D503,120 S \* 3/2005 Sato ..... D10/93

\* cited by examiner

*Primary Examiner* — Antoine Duval Davis  
 (74) *Attorney, Agent, or Firm* — Dorsey & Whitney LLP

(57) **CLAIM**

I claim the ornamental design for a body water measurer, as shown and described.

(30) **Foreign Application Priority Data**

Apr. 2, 2019 (KR) ..... 30-2019-0015440

(51) **LOC (13) Cl.** ..... **10-04**

(52) **U.S. Cl.**  
USPC ..... **D10/94**

(58) **Field of Classification Search**  
 USPC ..... D10/93, 94  
 CPC .... G01G 21/28; G01G 21/283; G01G 21/286;  
           G01G 21/30; G01G 23/37; G01G  
           23/3728; G01G 23/3735; G01G 19/44;  
           G01G 19/445; G01G 19/46; G01G 19/48;  
           G01G 19/50; G01G 21/44  
 See application file for complete search history.

(56) **References Cited**

**U.S. PATENT DOCUMENTS**

D377,784 S \* 2/1997 Wilson ..... D10/93  
 D378,082 S \* 2/1997 Wilson ..... D10/93

**DESCRIPTION**

FIG. 1 is a front isometric view of an embodiment of a body water measurer.

FIG. 2 is a front elevation view of the body water measurer of the embodiment of FIG. 1.

FIG. 3 is a rear elevation view of the body water measurer of the embodiment of FIG. 1.

FIG. 4 is a left side elevation view of the body water measurer of the embodiment of FIG. 1.

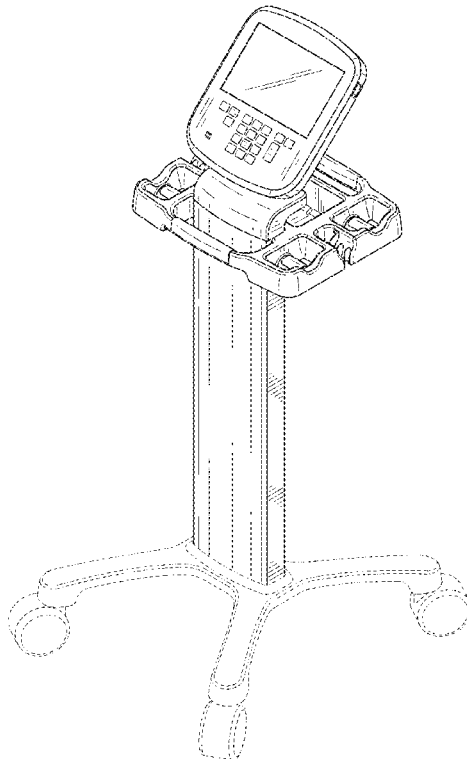
FIG. 5 is a right side elevation view of the body water measurer of the embodiment of FIG. 1.

FIG. 6 is a top plan view of the body water measurer of the embodiment of FIG. 1; and,

FIG. 7 is a bottom plan view of the body water measurer of the embodiment of FIG. 1.

The broken lines shown in the drawings are for purposes of illustrating portions of the body water measurer that form no part of the claimed design.

**1 Claim, 6 Drawing Sheets**



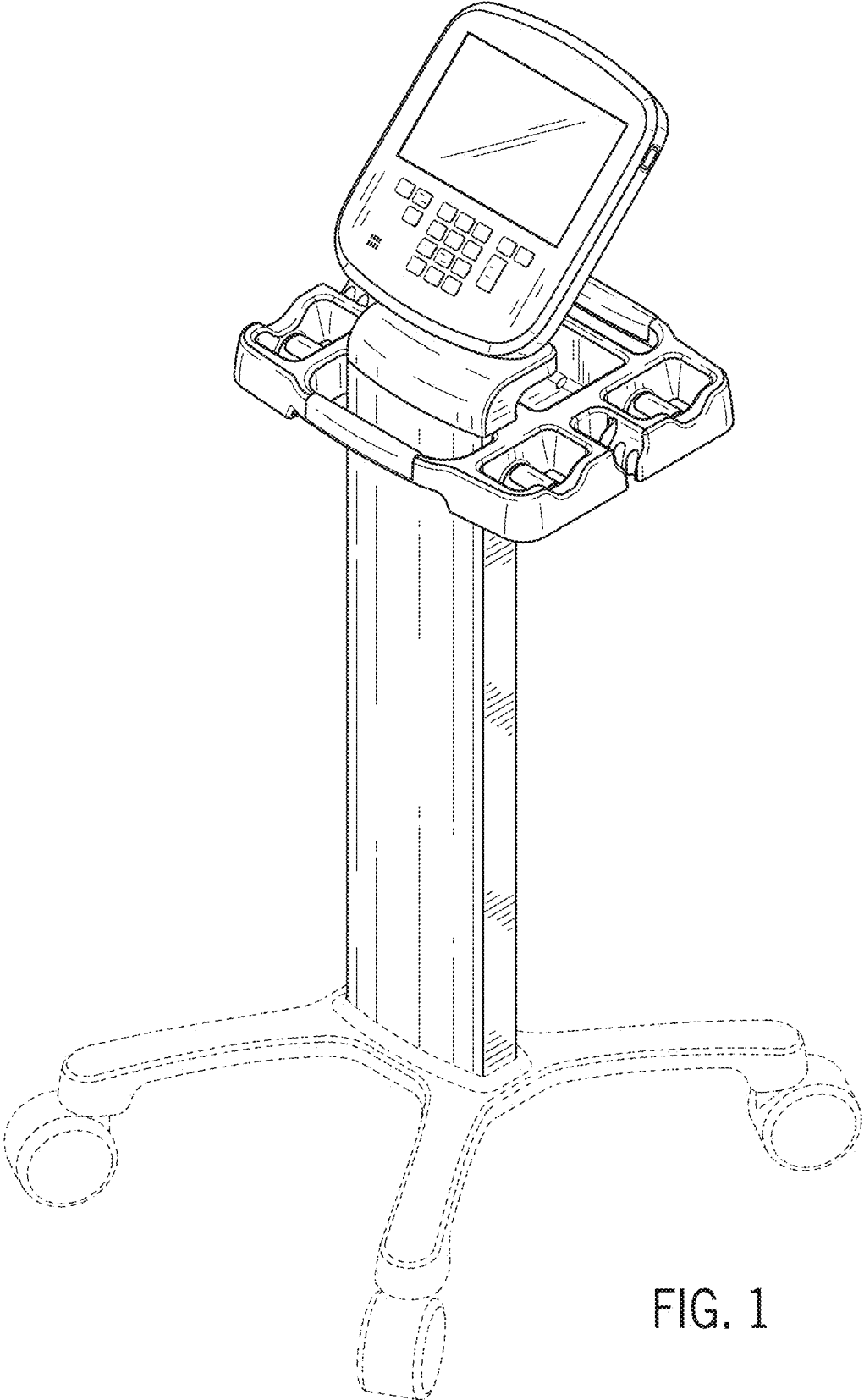


FIG. 1

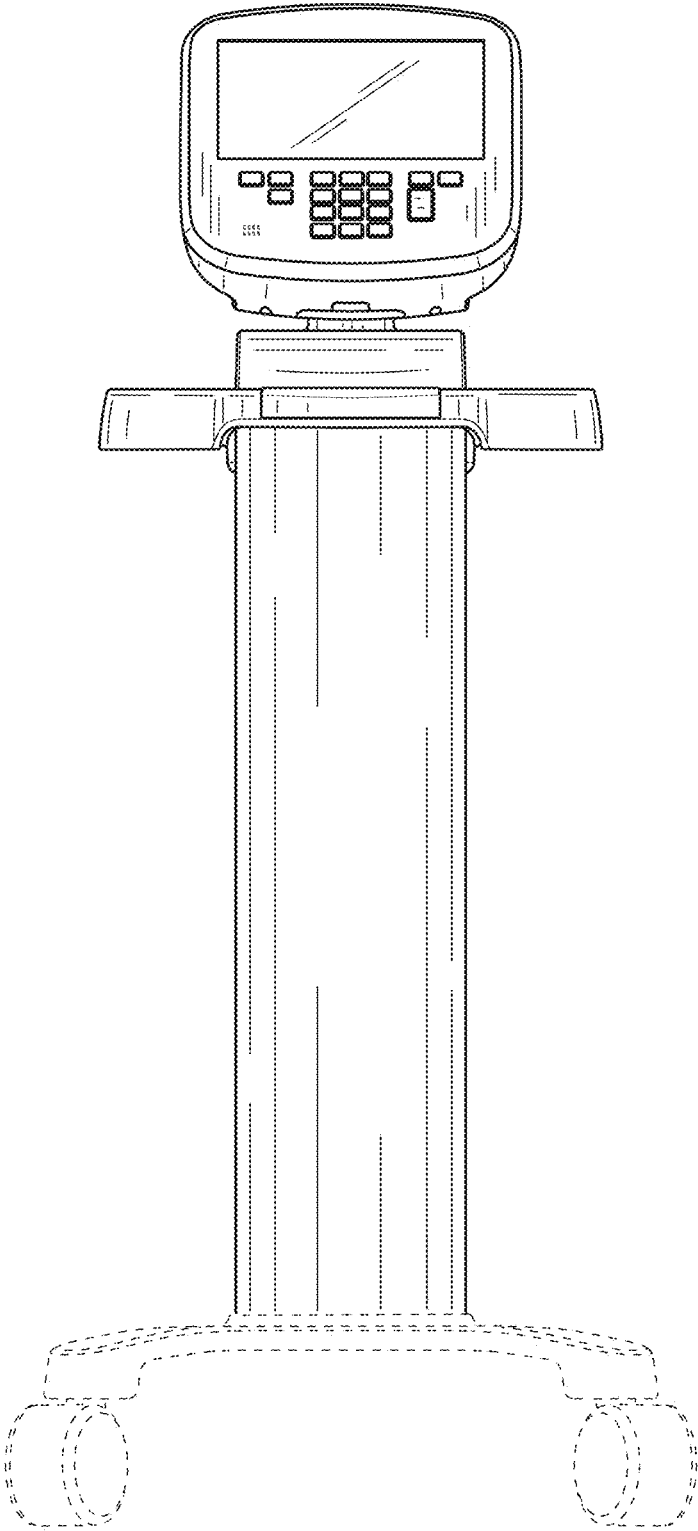


FIG. 2

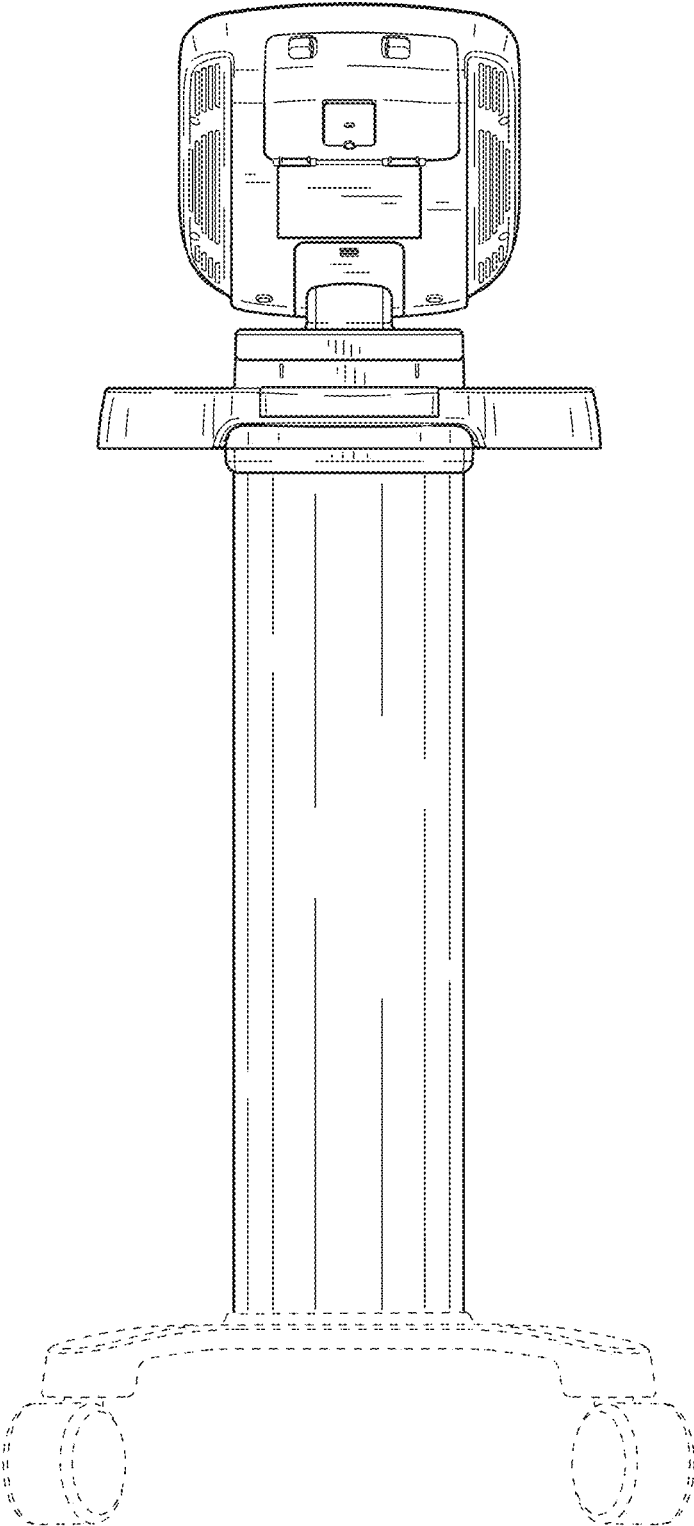


FIG. 3

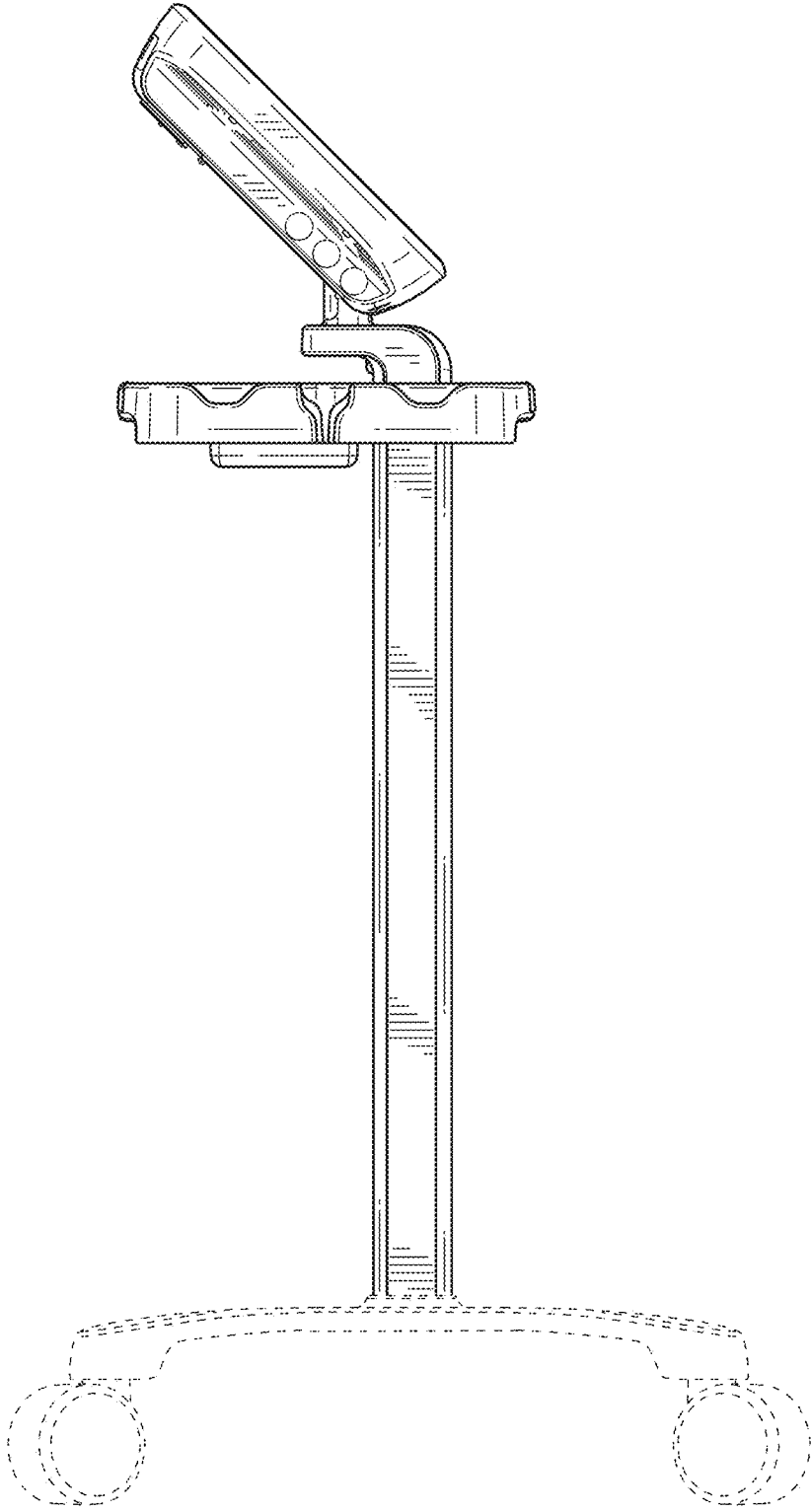


FIG. 4

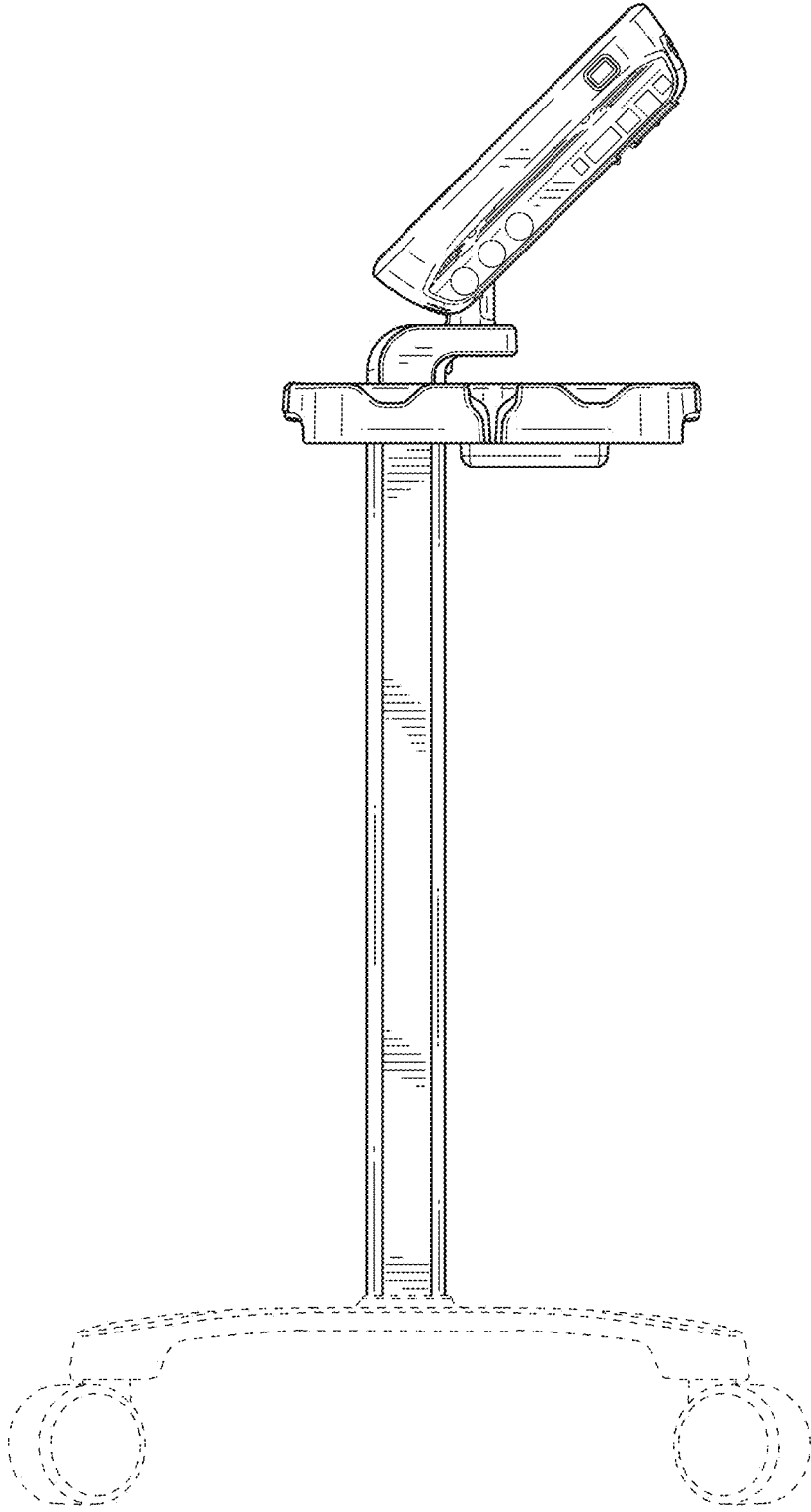


FIG. 5

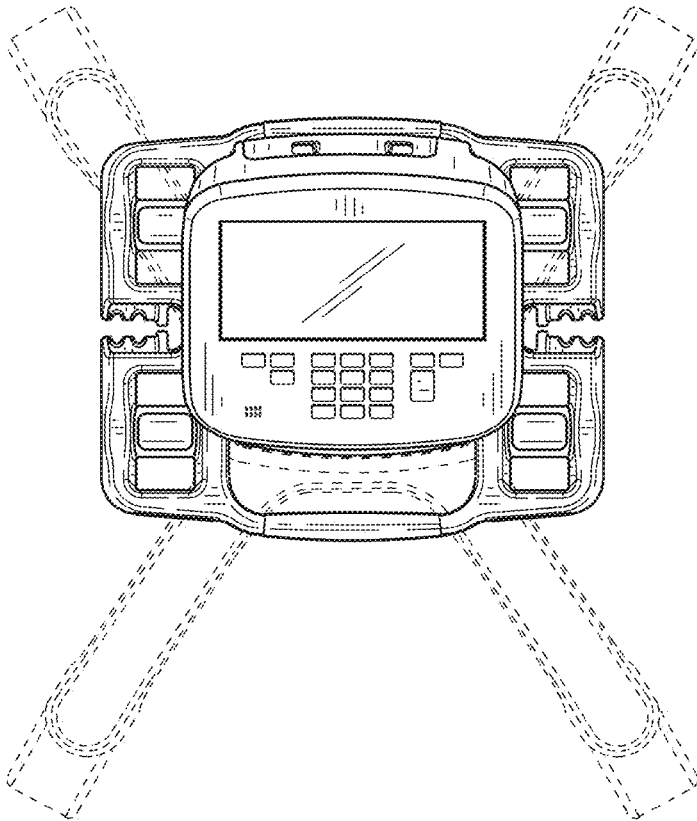


FIG. 6

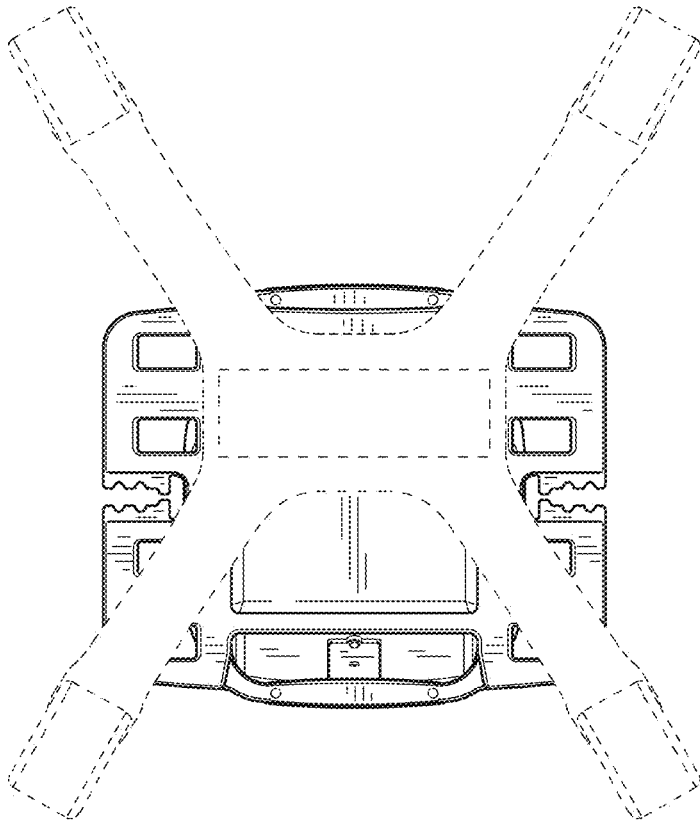


FIG. 7