

# DEFENSIVE PUBLICATION

UNITED STATES PATENT OFFICE

Published at the request of the applicant or owner in accordance with the Notice of Dec. 16, 1969, 869 O.G. 687. The abstracts of Defensive Publication applications are identified by distinctly numbered series and are arranged chronologically. The heading of each abstract indicates the number of pages of specification, including claims and sheets of drawings contained in the application as originally filed. The files of these applications are available to the public for inspection and reproduction may be purchased for 30 cents a sheet.

Defensive Publication applications have not been examined as to the merits of alleged invention. The Patent Office makes no assertion as to the novelty of the disclosed subject matter.

PUBLISHED MARCH 7, 1972

896 O.G. 17

**T896,007**

## **BATTERY HOLDER**

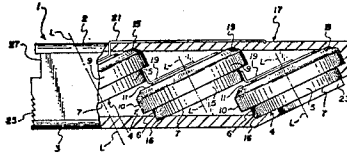
**Jeffrey R. Stoneham and Benjamin B. Adams, both of  
901 Elmgrove Road, Rochester, N.Y. 14650**

**Filed Sept. 30, 1970, Ser. No. 76,836**

**Int. Cl. H01m 1/04**

**U.S. Cl. 136—173**

**2 Sheets Drawing. 12 Pages Specification**



A holder for disc-like electrical batteries includes a set of support surfaces for engaging the side and end walls of a plurality of the batteries to position them in a shingled relationship.

March 7, 1972

J. R. STONEHAM ET AL

T896,007

BATTERY HOLDER

Filed Sept. 30, 1970

2 Sheets-Sheet 1

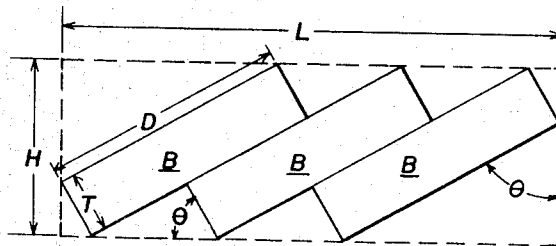


FIG. 1

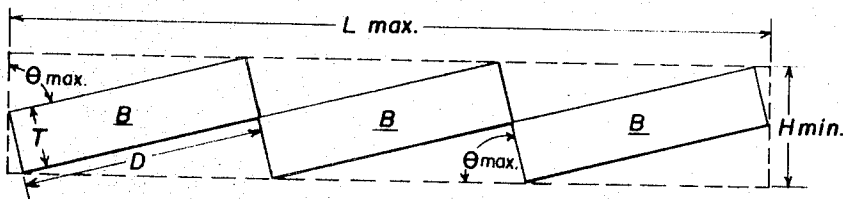


FIG. 2

JEFFREY R. STONEHAM  
BENJAMIN B. ADAMS  
INVENTORS

BY *D. Peter Hoekberg*  
*Robert W. Hampton*

ATTORNEYS

March 7, 1972

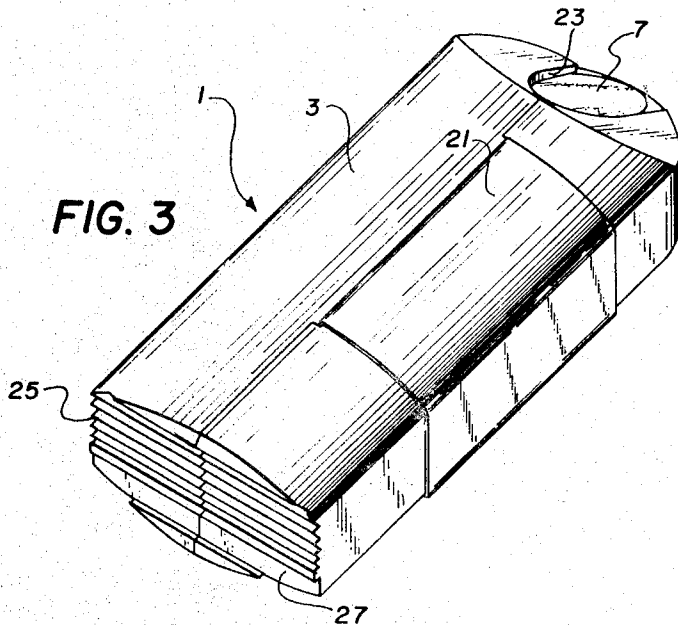
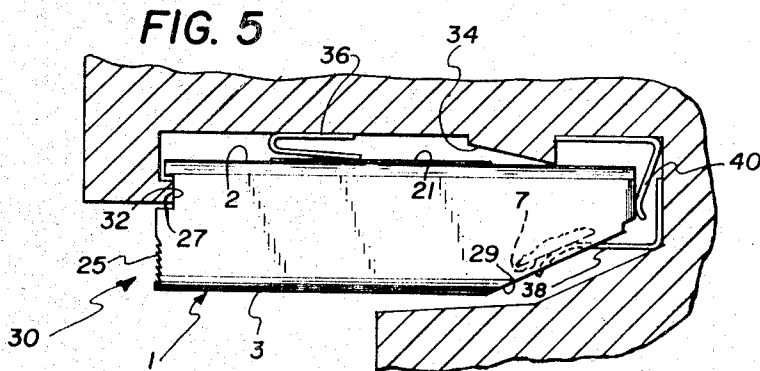
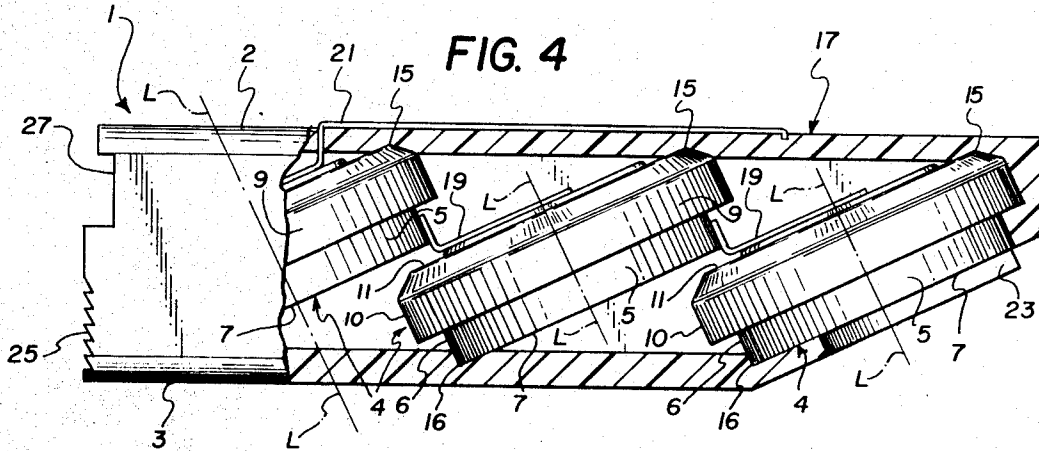
J. R. STONEHAM ET AL

T896,007

BATTERY HOLDER

Filed Sept. 30, 1970

2 Sheets-Sheet 2



JEFFREY R. STONEHAM  
BENJAMIN B. ADAMS  
INVENTORS

BY *D. Peter Hochberg*  
*Robert W. Hampton*

ATTORNEYS