

(19) World Intellectual Property Organization
International Bureau



(43) International Publication Date
30 November 2006 (30.11.2006)

PCT

(10) International Publication Number
WO 2006/126811 A3

- (51) International Patent Classification:
D06F 39/04 (2006.01) *D06F 39/08* (2006.01)
- (21) International Application Number:
PCT/KR2006/001902
- (22) International Filing Date: 21 May 2006 (21.05.2006)
- (25) Filing Language: Korean
- (26) Publication Language: English
- (30) Priority Data:
10-2005-0043000 23 May 2005 (23.05.2005) KR
- (71) Applicant (for all designated States except US): **LG ELECTRONICS INC.** [KR/KR]; 20, Yoido-dong, Youngdungpo-gu, Seoul, 150-721 (KR).

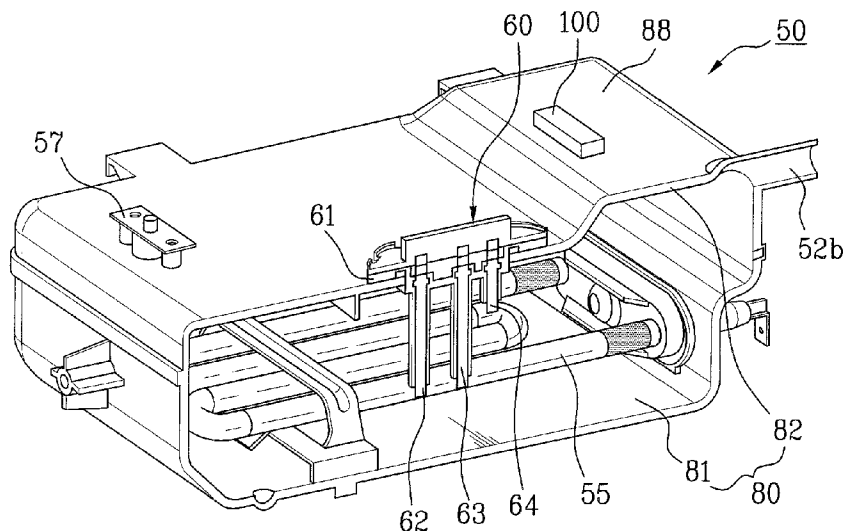
- (81) Designated States (unless otherwise indicated, for every kind of national protection available): AE, AG, AL, AM, AT, AU, AZ, BA, BB, BG, BR, BW, BY, BZ, CA, CH, CN, CO, CR, CU, CZ, DE, DK, DM, DZ, EC, EE, EG, ES, FI, GB, GD, GE, GH, GM, HR, HU, ID, IL, IN, IS, JP, KE, KG, KM, KN, KP, KZ, LC, LK, LR, LS, LT, LU, LV, LY, MA, MD, MG, MK, MN, MW, MX, MZ, NA, NG, NI, NO, NZ, OM, PG, PH, PL, PT, RO, RU, SC, SD, SE, SG, SK, SL, SM, SY, TJ, TM, TN, TR, TT, TZ, UA, UG, US, UZ, VC, VN, YU, ZA, ZM, ZW.
- (84) Designated States (unless otherwise indicated, for every kind of regional protection available): ARIPO (BW, GH, GM, KE, LS, MW, MZ, NA, SD, SL, SZ, TZ, UG, ZM, ZW), Eurasian (AM, AZ, BY, KG, KZ, MD, RU, TJ, TM), European (AT, BE, BG, CH, CY, CZ, DE, DK, EE, ES, FI, FR, GB, GR, HU, IE, IS, IT, LT, LU, LV, MC, NL, PL, PT, RO, SE, SI, SK, TR), OAPI (BF, BJ, CF, CG, CI, CM, GA, GN, GQ, GW, ML, MR, NE, SN, TD, TG).

- (72) Inventor; and
- (75) Inventor/Applicant (for US only): **CHO, Ki Chul** [KR/KR]; 709 Jinwoongnesville, 421-1, Sanho-dong, Masan-si, Gyeongsangnam-do, 631-480 (KR).
- (74) Agents: **BAHNG, Hae Cheol** et al.; KBK & ASSOCIATES, 15th Floor YoSam Building, 648-23, Yeoksam-dong, Kangnam-ku, Seoul, 135-080 (KR).

- Published:
— with international search report
- (88) Date of publication of the international search report:
8 March 2007

For two-letter codes and other abbreviations, refer to the "Guidance Notes on Codes and Abbreviations" appearing at the beginning of each regular issue of the PCT Gazette.

(54) Title: STEAM GENERATOR HAVING PRESS-SENSOR FOR DRUM WASHING MACHINE AND CONTROL METHOD AS THE SAME



(57) Abstract: A steam generator of a drum washing machine is disclosed which includes a pressure sensor for controlling an internal pressure of the steam generator, so as to prevent an excessive steam- pressure or water-pressure inside the steam generator, the steam generator comprising a housing which holds water therein; a heater than generates steam by heating the water held in the housing; and a pressure sensor that sense an internal pressure of the housing.

WO 2006/126811 A3

INTERNATIONAL SEARCH REPORT

International application No.
PCT/KR 2006/001902

A. CLASSIFICATION OF SUBJECT MATTER IPC ⁸ : D06F 39/04 (2006.01); D06F 39/08 (2006.01) According to International Patent Classification (IPC) or to both national classification and IPC		
B. FIELDS SEARCHED Minimum documentation searched (classification system followed by classification symbols) IPC ⁸ : D06F Documentation searched other than minimum documentation to the extent that such documents are included in the fields searched Electronic data base consulted during the international search (name of data base and, where practicable, search terms used) EPODOC, WPI, PAJ, TXTn		
C. DOCUMENTS CONSIDERED TO BE RELEVANT		
Category*	Citation of document, with indication, where appropriate, of the relevant passages	Relevant to claim No.
A	US 3 949 485 A (FÜHRING ET AL.) 13 April 1976 (13.04.1976) <i>Fig., columns 3, 4</i> --	1, 2, 6, 7
P,X	EP 1 548 175 A2 (SAMSUNG ELECTRONICS CO.) 29 June 2005 (29.06.2005) <i>Fig. 1, 2, paragraphs [0025], [0036]</i> ----	1, 6
<input type="checkbox"/> Further documents are listed in the continuation of Box C. <input checked="" type="checkbox"/> See patent family annex.		
* Special categories of cited documents: "A" document defining the general state of the art which is not considered to be of particular relevance "E" earlier application or patent but published on or after the international filing date "L" document which may throw doubts on priority claim(s) or which is cited to establish the publication date of another citation or other special reason (as specified) "O" document referring to an oral disclosure, use, exhibition or other means "P" document published prior to the international filing date but later than the priority date claimed		"T" later document published after the international filing date or priority date and not in conflict with the application but cited to understand the principle or theory underlying the invention "X" document of particular relevance; the claimed invention cannot be considered novel or cannot be considered to involve an inventive step when the document is taken alone "Y" document of particular relevance; the claimed invention cannot be considered to involve an inventive step when the document is combined with one or more other such documents, such combination being obvious to a person skilled in the art "&" document member of the same patent family
Date of the actual completion of the international search 23 October 2006 (23.10.2006)		Date of mailing of the international search report 21 December 2006 (21.12.2006)
Name and mailing address of the ISA/ AT Austrian Patent Office Dresdner Straße 87, A-1200 Vienna Facsimile No. +43 / 1 / 534 24 / 535		Authorized officer KRANEWITTER B. Telephone No. +43 / 1 / 534 24 / 460

INTERNATIONAL SEARCH REPORT
Information on patent family members

International application No.
PCT/KR 2006/001902

Patent document cited in search report			Publication date	Patent family member(s)			Publication date
EP	A2	1548175	2005-06-29	KR	A	20050065723	2005-06-30
				US	A1	2005132504	2005-06-23
				JP	A	2005177450	2005-07-07
				CN	A	1637199	2005-07-13