

FIG 3

COMPLETE SPECIFICATION

TaiZhou Federal Robot Technology Co., Ltd

TOTAL SHEETS: 3

CURRENT SHEET: 1

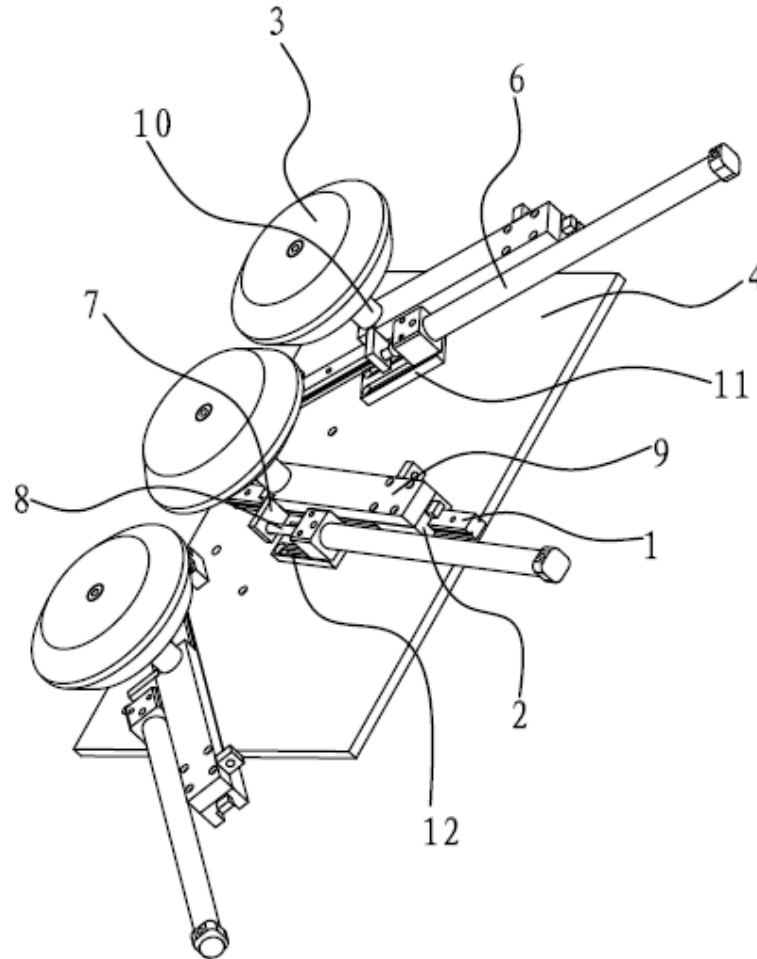


FIG 1

Dr. Rajeshkumar H. Acharya
Advocate & Patent Agent
For and on behalf of Applicant

COMPLETE SPECIFICATION

TaiZhou Federal Robot Technology Co., Ltd

TOTAL SHEETS: 3

CURRENT SHEET: 2

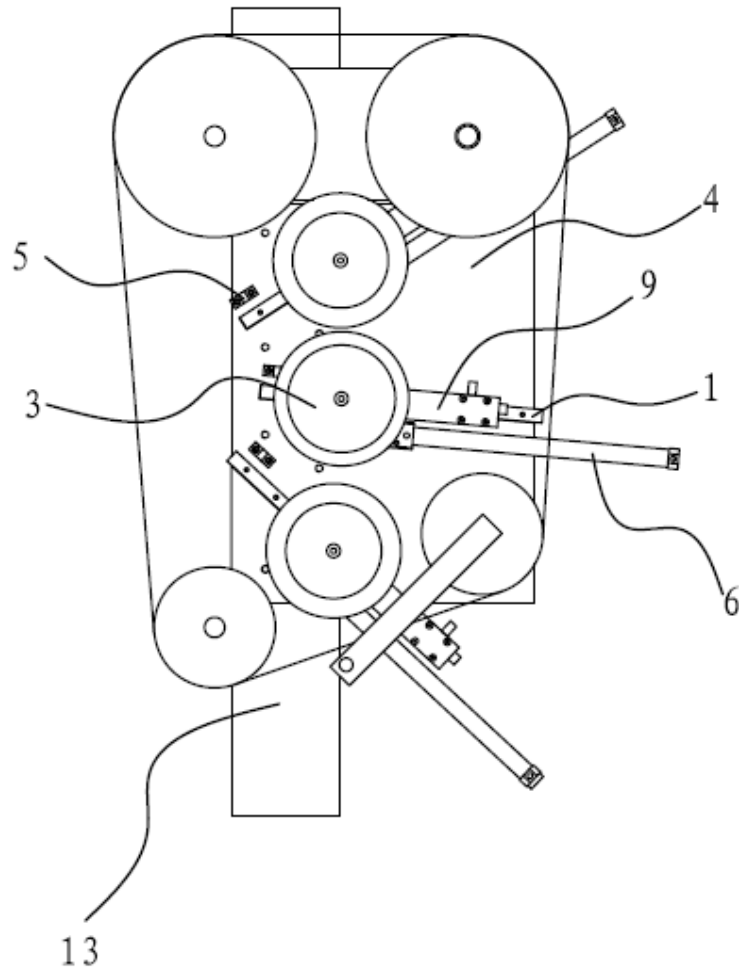


FIG 2

Dr. Rajeshkumar H. Acharya
Advocate & Patent Agent
For and on behalf of Applicant

COMPLETE SPECIFICATION

TaiZhou Federal Robot Technology Co., Ltd

TOTAL SHEETS: 3

CURRENT SHEET: 3

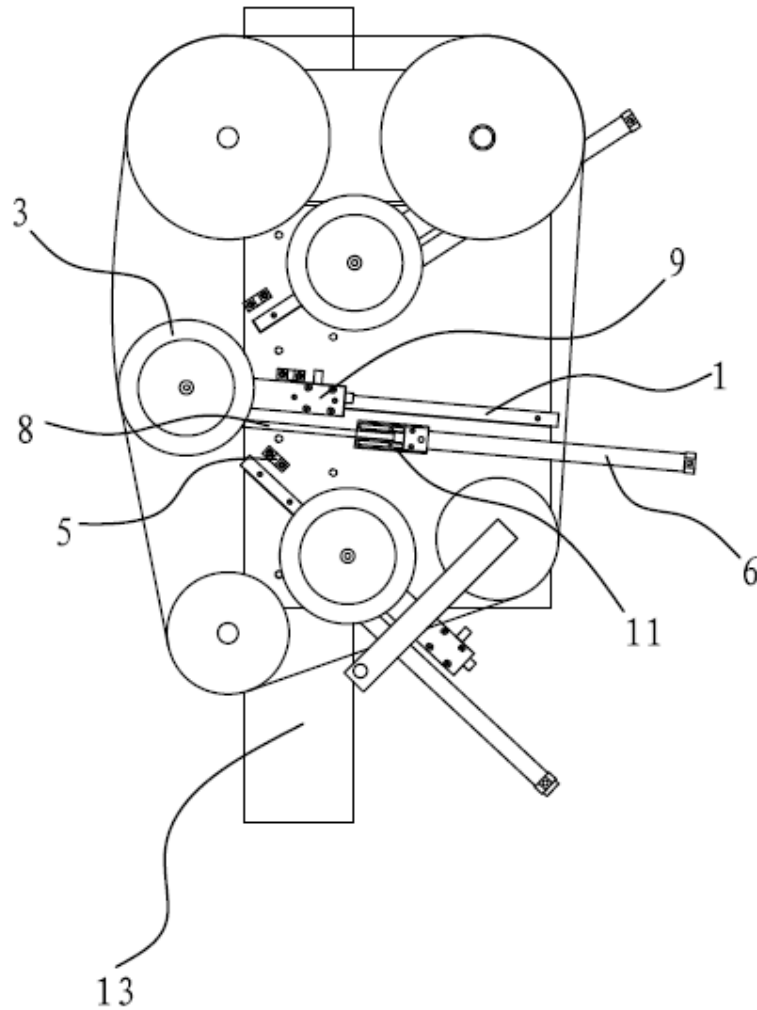


FIG 3

Dr. Rajeshkumar H. Acharya
Advocate & Patent Agent
For and on behalf of Applicant