



US00D713818S

(12) **United States Design Patent**
Kain

(10) **Patent No.:** **US D713,818 S**

(45) **Date of Patent:** **** Sep. 23, 2014**

(54) **BOOK STEREO**

(71) Applicant: **Devin Michael Kain**, Brooklyn, NY
(US)

(72) Inventor: **Devin Michael Kain**, Brooklyn, NY
(US)

(73) Assignee: **Devin Kain**, Brooklyn, NY (US)

(**) Term: **14 Years**

(21) Appl. No.: **29/463,077**

(22) Filed: **Jul. 18, 2013**

(51) **LOC (10) Cl.** **14-01**

(52) **U.S. Cl.**
USPC **D14/207**

(58) **Field of Classification Search**

CPC H04R 1/02; H04R 1/026; H04R 3/00;
H04R 5/00; H04R 5/02; H04R 5/023; H04R
9/06; H04R 9/063; H04R 11/02; H04R 27/00;
H04S 5/00; H04S 7/00
USPC D14/204, 207, 209.1, 210-217, 168,
D14/172, 485; 181/143, 144, 147, 148,
181/150-153, 157, 198, 199; 381/300-303,
381/306, 332, 333, 336, 346, 361-364,
381/386-388; D3/201, 218; D6/401, 632;
345/158; 361/379.04, 679.01;
273/148 B

See application file for complete search history.

(56) **References Cited**

U.S. PATENT DOCUMENTS

4,450,495 A * 5/1984 Naruki 360/137
5,675,426 A * 10/1997 Meisner et al. 348/838

5,898,650 A * 4/1999 Porsbo et al. 369/30.89
6,057,659 A * 5/2000 Akiyama et al. 381/98
D477,829 S * 7/2003 Hussaini et al. D14/496
7,095,867 B2 * 8/2006 Schul et al. 381/334
D563,431 S * 3/2008 Entner D14/496
D566,130 S * 4/2008 Entner D14/496
D572,235 S * 7/2008 Imawaki D14/207
D582,661 S * 12/2008 Katsof D3/201
D597,525 S * 8/2009 Jha D14/207
D609,696 S * 2/2010 Martinez et al. D14/209.1

* cited by examiner

Primary Examiner — Prabhakar Deshmukh

(57) **CLAIM**

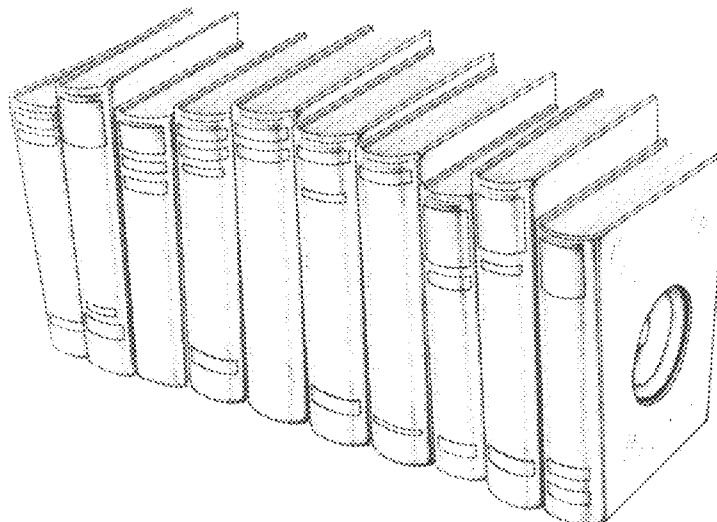
The ornamental design for a book stereo, as shown and described.

DESCRIPTION

FIG. 1 is a top, front, and side perspective view of a book stereo showing my new design, shown in a closed position; FIG. 2 is a top, front, and side perspective view thereof, shown in open position.

FIG. 3 is a right side elevational view thereof; FIG. 4 is a left side elevational view thereof; FIG. 5 is a rear elevational view of FIG. 1; FIG. 6 is a rear elevational view of FIG. 2; FIG. 7 is a front elevational view of FIG. 1; FIG. 8 is a front elevational view of FIG. 2; FIG. 9 is a top, rear, and side perspective view of FIG. 1; FIG. 10 is a top, rear, and side perspective view of FIG. 2; FIG. 11 is a top plan view of FIG. 1, the bottom plan view being a mirror image thereof; and, FIG. 12 is a top plan view of FIG. 2, the bottom plan view being a mirror image thereof.

1 Claim, 6 Drawing Sheets



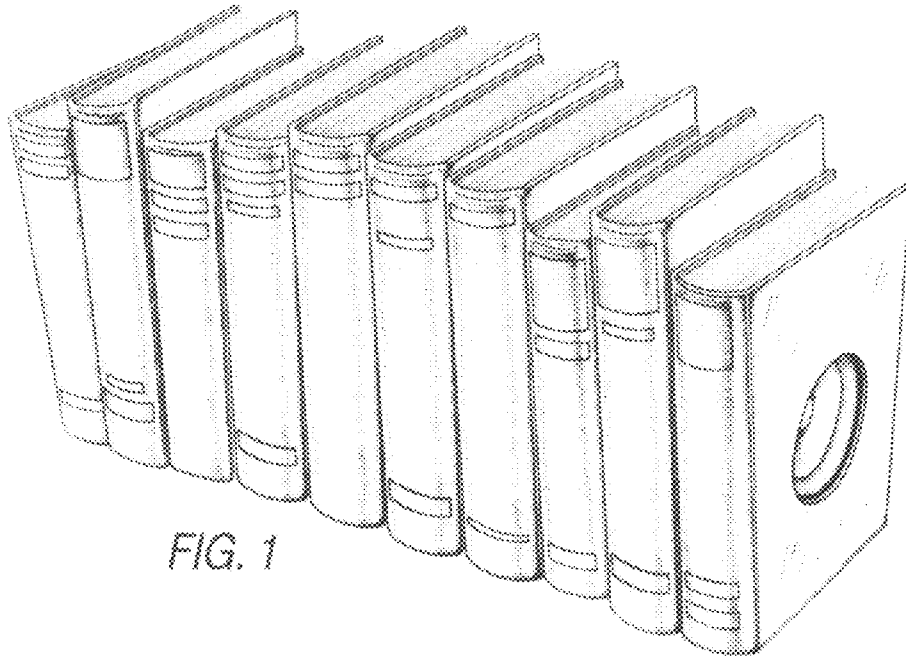


FIG. 1

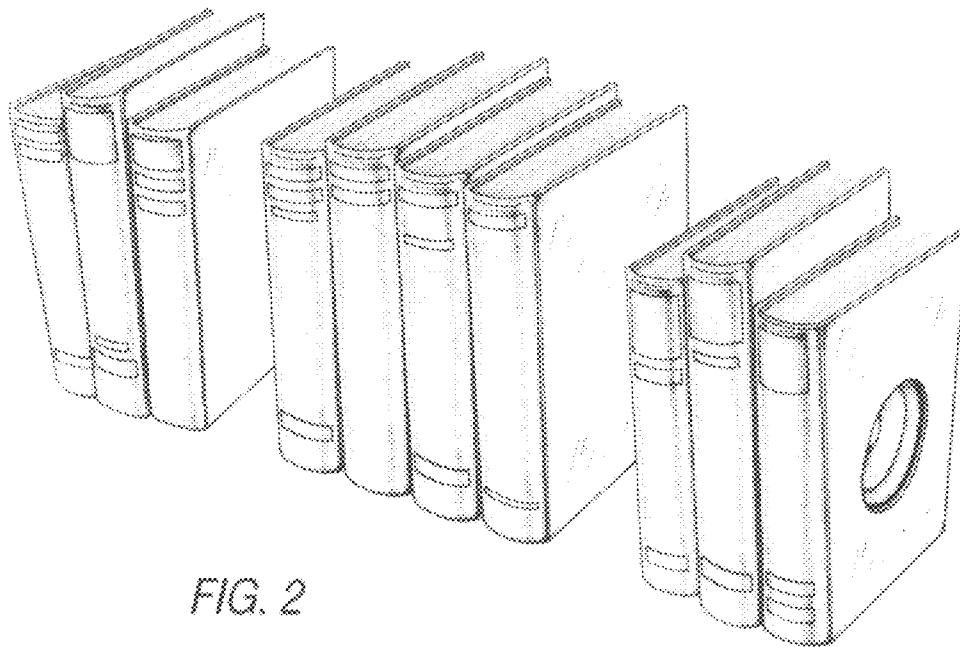


FIG. 2

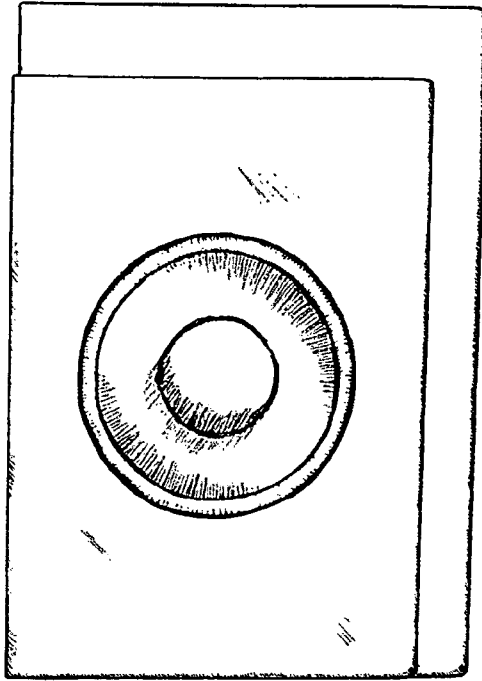


FIG. 3

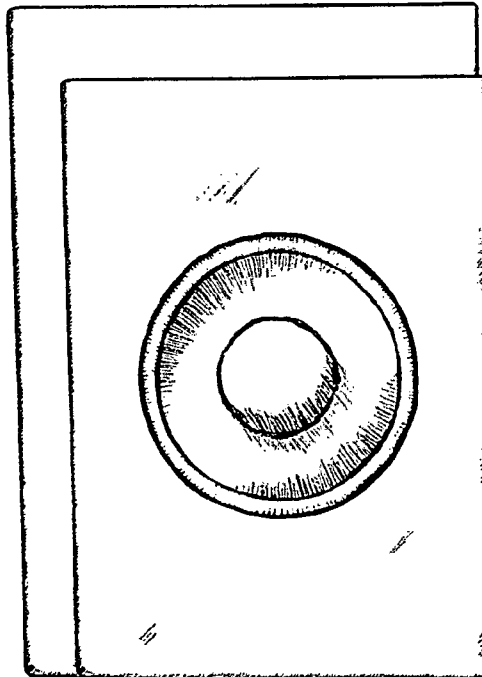


FIG. 4

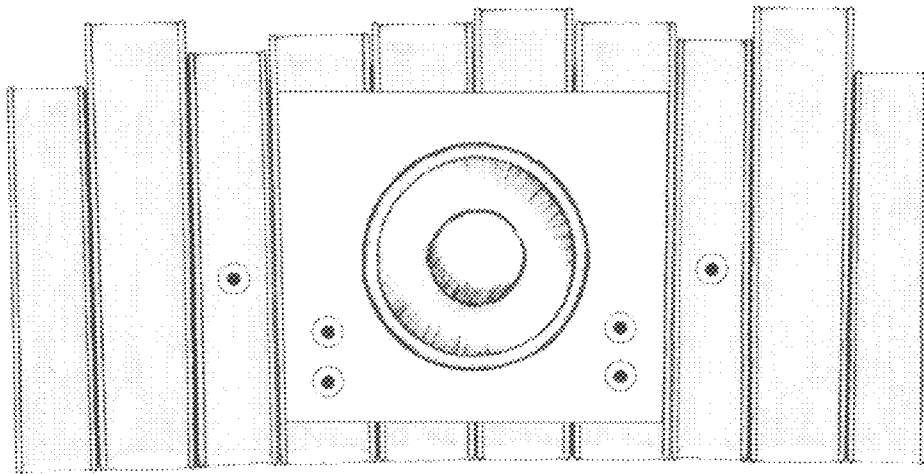


FIG. 5

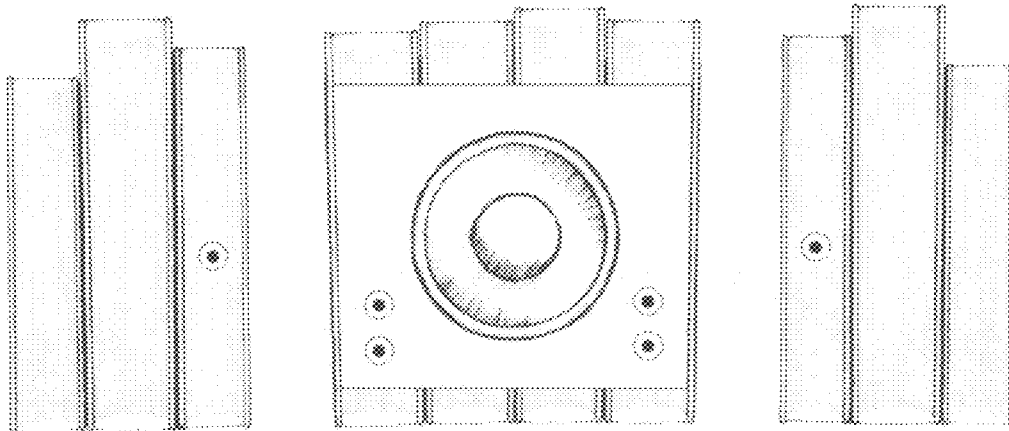


FIG. 6

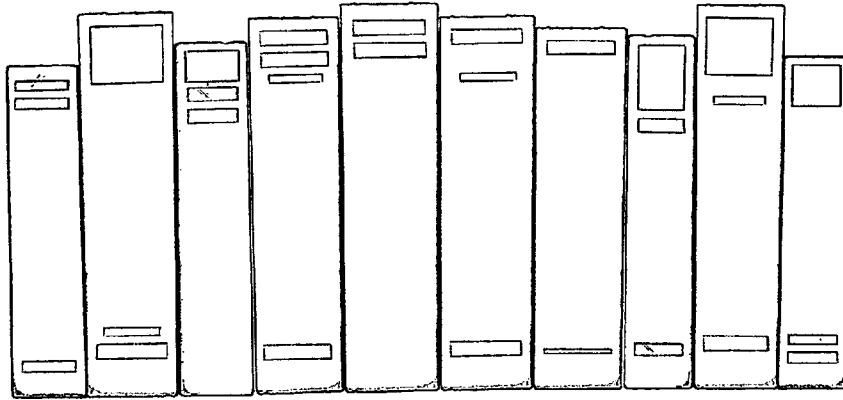


FIG. 7

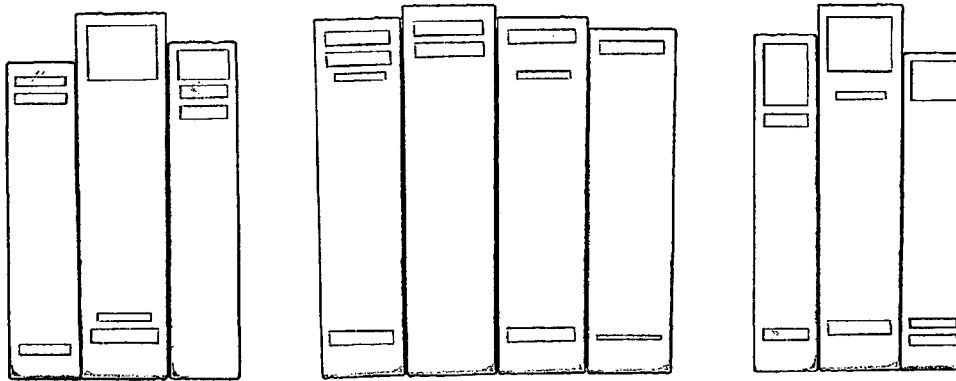


FIG. 8

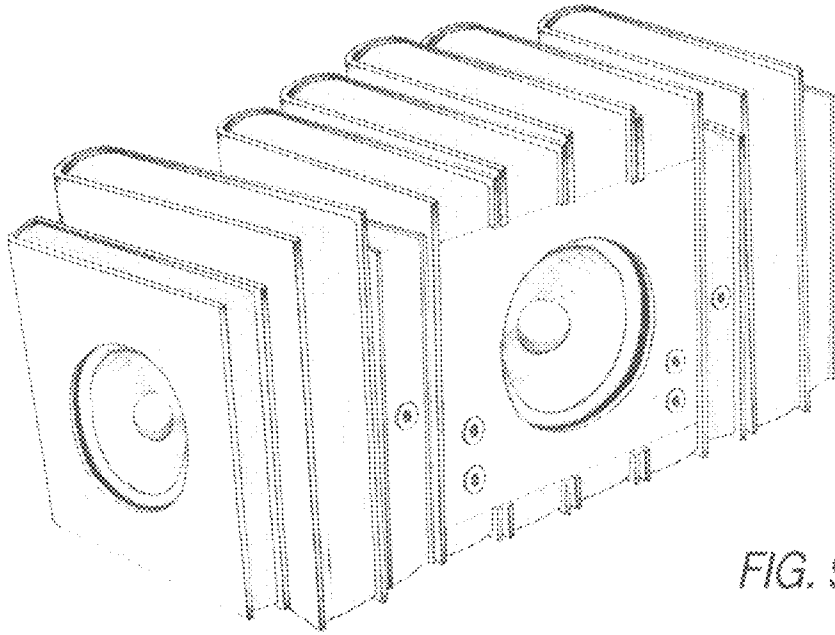


FIG. 9

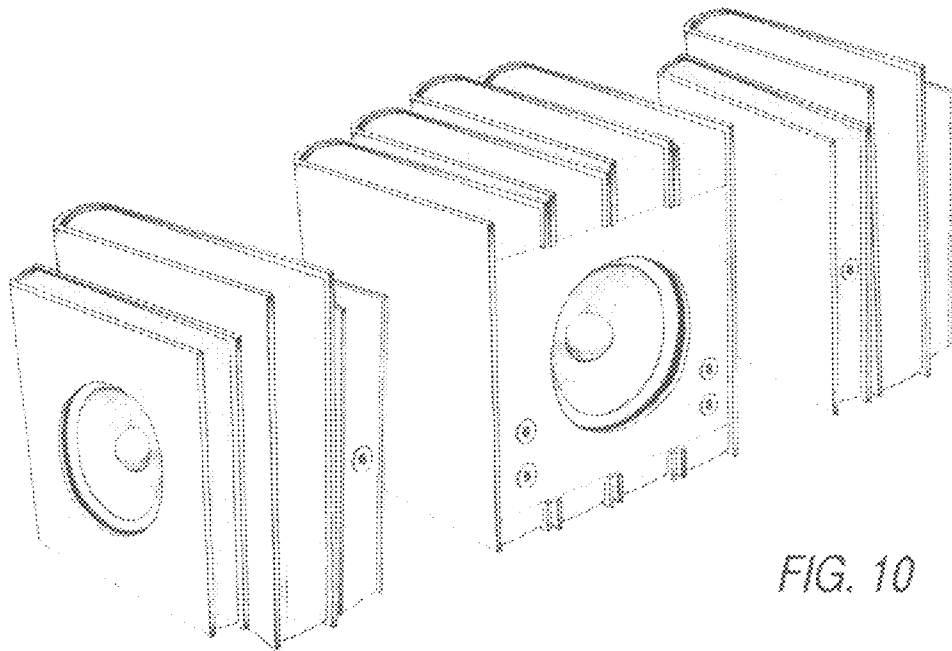


FIG. 10

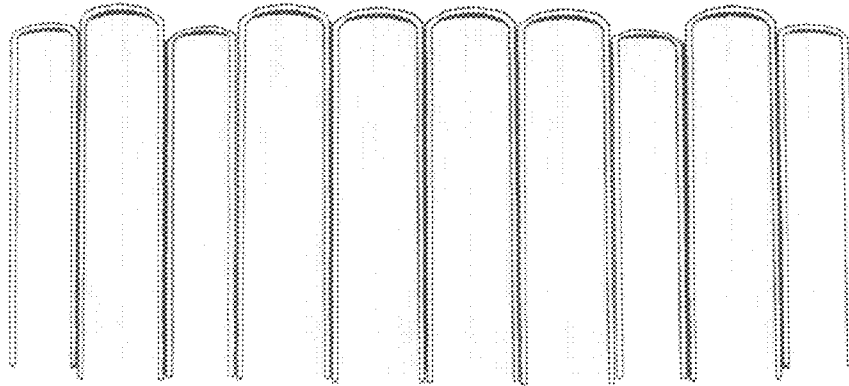


FIG. 11

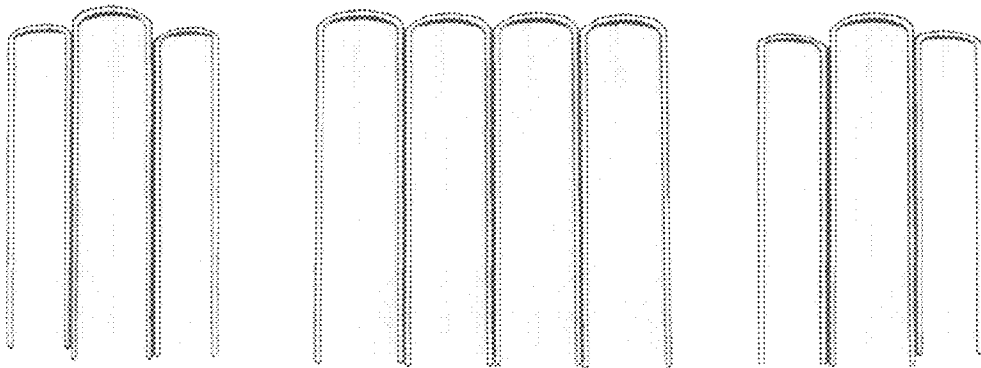


FIG. 12