

(19) World Intellectual Property Organization
International Bureau



(43) International Publication Date
14 September 2006 (14.09.2006)

PCT

(10) International Publication Number
WO 2006/096756 A3

(51) International Patent Classification:

A61B 17/70 (2006.01) A61F 2/28 (2006.01)
A61F 2/44 (2006.01)

(21) International Application Number:

PCT/US2006/008195

(22) International Filing Date: 7 March 2006 (07.03.2006)

(25) Filing Language: English

(26) Publication Language: English

(30) Priority Data:

60/659,675 7 March 2005 (07.03.2005) US
60/718,509 19 September 2005 (19.09.2005) US
60/731,888 31 October 2005 (31.10.2005) US

(71) Applicant and

(72) Inventor: ABDOU, M., Samy [US/US]; 7790 Doug Hill,
San Diego, CA 92127 (US).

(74) Agent: HERNANDEZ, Fred, C.; 12390 El Camino Real,
San Diego, CA 92130 (US).

(81) Designated States (unless otherwise indicated, for every
kind of national protection available): AE, AG, AL, AM,
AT, AU, AZ, BA, BB, BG, BR, BW, BY, BZ, CA, CH, CN,

CO, CR, CU, CZ, DE, DK, DM, DZ, EC, EE, EG, ES, FI,
GB, GD, GE, GH, GM, HR, HU, ID, IL, IN, IS, JP, KE,
KG, KM, KN, KP, KR, KZ, LC, LK, LR, LS, LT, LU, LV,
LY, MA, MD, MG, MK, MN, MW, MX, MZ, NA, NG, NI,
NO, NZ, OM, PG, PH, PL, PT, RO, RU, SC, SD, SE, SG,
SK, SL, SM, SY, TJ, TM, TN, TR, TT, TZ, UA, UG, US,
UZ, VC, VN, YU, ZA, ZM, ZW.

(84) Designated States (unless otherwise indicated, for every
kind of regional protection available): ARIPO (BW, GH,
GM, KE, LS, MW, MZ, NA, SD, SL, SZ, TZ, UG, ZM,
ZW), Eurasian (AM, AZ, BY, KG, KZ, MD, RU, TJ, TM),
European (AT, BE, BG, CH, CY, CZ, DE, DK, EE, ES, FI,
FR, GB, GR, HU, IE, IS, IT, LT, LU, LV, MC, NL, PL, PT,
RO, SE, SI, SK, TR), OAPI (BF, BJ, CF, CG, CI, CM, GA,
GN, GQ, GW, ML, MR, NE, SN, TD, TG).

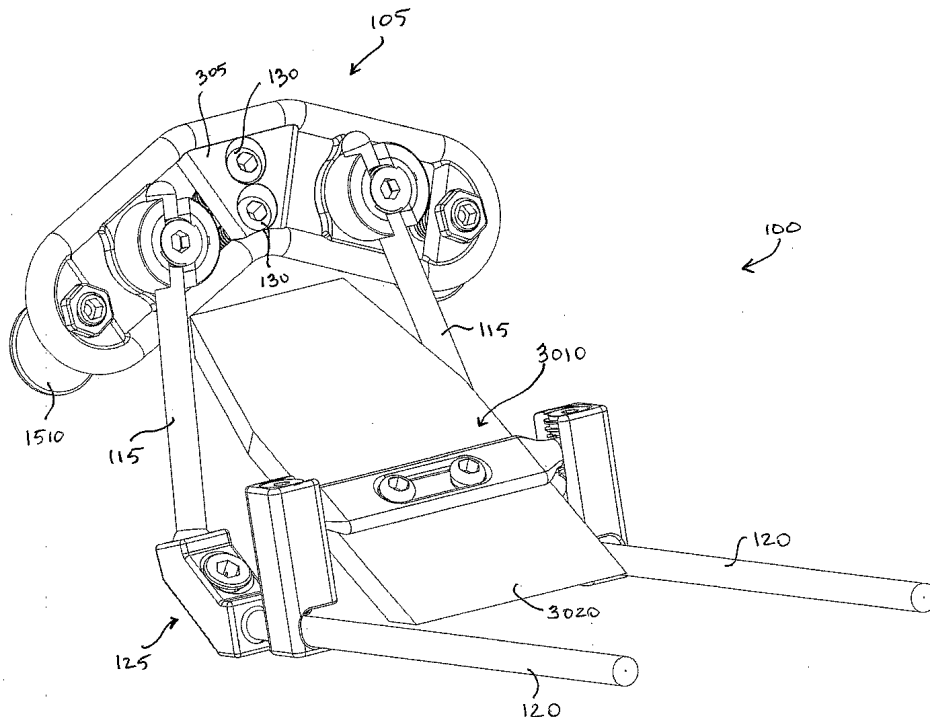
Published:

- with international search report
- before the expiration of the time limit for amending the
claims and to be republished in the event of receipt of
amendments

(88) Date of publication of the international search report:
11 January 2007

For two-letter codes and other abbreviations, refer to the "Guid-
ance Notes on Codes and Abbreviations" appearing at the begin-
ning of each regular issue of the PCT Gazette.

(54) Title: OCCIPITAL FIXATION SYSTEM



(57) Abstract: Disclosed are skull fixation assemblies (100) and corresponding components. The assemblies include a multi-axial occipito- cervical connection system (125) that enables elongate interconnectors, such as rods (115,120), to be coupled in a manner that permits relative movement in one or more planes. The system includes a locking mechanism that can be actuated to lock the relative positions of the elongate interconnectors .

WO 2006/096756 A3

INTERNATIONAL SEARCH REPORT

International application No

PCT/US2006/008195

A. CLASSIFICATION OF SUBJECT MATTER

INV. A61B17/70

ADD. A61F2/44 A61F2/28

According to International Patent Classification (IPC) or to both national classification and IPC

B. FIELDS SEARCHED

Minimum documentation searched (classification system followed by classification symbols)

A61B A61F

Documentation searched other than minimum documentation to the extent that such documents are included in the fields searched

Electronic data base consulted during the international search (name of data base and, where practical, search terms used)

EPO-Internal, WPI Data, PAJ

C. DOCUMENTS CONSIDERED TO BE RELEVANT

Category*	Citation of document, with indication, where appropriate, of the relevant passages	Relevant to claim No.
X	EP 1 180 348 A (DEPUY SPINE, INC; DEPUY ACROMED, INC) 20 February 2002 (2002-02-20) abstract; claims 1-4,6,12 figures 1,2,11,11A,11B,12D,12E paragraphs [0004], [0013], [0014], [0023] paragraphs [0012], [0016], [0025], [0043]	1-4, 6-10,12, 13, 16-19, 33,35
Y	paragraph [0004] ----- -/--	5,14

 Further documents are listed in the continuation of Box C. See patent family annex.

* Special categories of cited documents:

"A" document defining the general state of the art which is not considered to be of particular relevance

"E" earlier document but published on or after the international filing date

"L" document which may throw doubts on priority claim(s) or which is cited to establish the publication date of another citation or other special reason (as specified)

"O" document referring to an oral disclosure, use, exhibition or other means

"P" document published prior to the international filing date but later than the priority date claimed

"T" later document published after the international filing date or priority date and not in conflict with the application but cited to understand the principle or theory underlying the invention

"X" document of particular relevance; the claimed invention cannot be considered novel or cannot be considered to involve an inventive step when the document is taken alone

"Y" document of particular relevance; the claimed invention cannot be considered to involve an inventive step when the document is combined with one or more other such documents, such combination being obvious to a person skilled in the art.

"&" document member of the same patent family

Date of the actual completion of the international search

29 June 2006

Date of mailing of the international search report

06. 11. 2006

Name and mailing address of the ISA/

European Patent Office, P.B. 5818 Patentlaan 2
NL - 2280 HV Rijswijk
Tel. (+31-70) 340-2040, Tx. 31 651 epo nl,
Fax: (+31-70) 340-3016

Authorized officer

Hübner, Jens

INTERNATIONAL SEARCH REPORT

International application No

PCT/US2006/008195

C(Continuation). DOCUMENTS CONSIDERED TO BE RELEVANT		
Category*	Citation of document, with indication, where appropriate, of the relevant passages	Relevant to claim No.
X	FR 2 781 359 A (BOCCARA PIERRE) 28 January 2000 (2000-01-28)	1-5, 8-10,12, 13, 16-19, 33,35
Y	claims 6,7; figures 4-6	11,14,15
X	----- US 5 531 747 A (RAY ET AL) 2 July 1996 (1996-07-02)	1-4, 6-13, 16-19, 33,35
Y	figures 2,3	11
X	----- FR 2 856 271 A (KHALIFE CHARLES; MALLET JEAN FRANCOIS) 24 December 2004 (2004-12-24)	33-35
Y	abstract; claims 1-6,9; figures 1-7	14,15
X	----- US 5 545 164 A (HOWLAND ET AL) 13 August 1996 (1996-08-13)	1,2,4,6, 8-10,13, 16,17,19
Y	abstract; figures 44-47	
Y	----- US 5 672 176 A (BIEDERMANN ET AL) 30 September 1997 (1997-09-30)	5,14
A	figures 1,2 the whole document	
A	----- US 5 558 674 A (HEGGENESS ET AL) 24 September 1996 (1996-09-24)	8,11
A	figures 6-8	
A	----- US 6 309 391 B1 (CRANDALL DENNIS ET AL) 30 October 2001 (2001-10-30)	9
P,X	figure 1	
P,X	----- US 2005/283153 A1 (POYNER JEFFREY W ET AL) 22 December 2005 (2005-12-22)	1,9,33
P,X	the whole document	
P,X	----- US 2005/288669 A1 (ABDOU M. S) 29 December 2005 (2005-12-29)	1,9,33
	cited in the application the whole document	

INTERNATIONAL SEARCH REPORT

International application No.
PCT/US2006/008195

Box II Observations where certain claims were found unsearchable (Continuation of item 2 of first sheet)

This International Search Report has not been established in respect of certain claims under Article 17(2)(a) for the following reasons:

1. Claims Nos.:
because they relate to subject matter not required to be searched by this Authority, namely:

2. Claims Nos.:
because they relate to parts of the International Application that do not comply with the prescribed requirements to such an extent that no meaningful International Search can be carried out, specifically:

3. Claims Nos.:
because they are dependent claims and are not drafted in accordance with the second and third sentences of Rule 6.4(a).

Box III Observations where unity of invention is lacking (Continuation of item 3 of first sheet)

This International Searching Authority found multiple inventions in this international application, as follows:

see additional sheet

1. As all required additional search fees were timely paid by the applicant, this International Search Report covers all searchable claims.

2. As all searchable claims could be searched without effort justifying an additional fee, this Authority did not invite payment of any additional fee.

3. As only some of the required additional search fees were timely paid by the applicant, this International Search Report covers only those claims for which fees were paid, specifically claims Nos.:

4. No required additional search fees were timely paid by the applicant. Consequently, this International Search Report is restricted to the invention first mentioned in the claims; it is covered by claims Nos.:

1-8,9-19,33-35

Remark on Protest

- The additional search fees were accompanied by the applicant's protest.
- No protest accompanied the payment of additional search fees.

FURTHER INFORMATION CONTINUED FROM PCT/ISA/ 210

This International Searching Authority found multiple (groups of) inventions in this international application, as follows:

1. claims: 1-8,9-19,33-35

A bone plate for attachment to a skull such that a rod can be attached to the plate.

2. claims: 20-25

A holder for a bone graft.

3. claims: 26-32

A connector that connects two rods either permitting relative movement between the two rods or locking their positions relative to each other.

INTERNATIONAL SEARCH REPORT

Information on patent family members

International application No

PCT/US2006/008195

Patent document cited in search report		Publication date	Patent family member(s)	Publication date
EP 1180348	A	20-02-2002	AU 763284 B2	17-07-2003
			AU 5792401 A	14-03-2002
			CA 2354747 A1	08-02-2002
			JP 2002102241 A	09-04-2002
FR 2781359	A	28-01-2000	NONE	
US 5531747	A	02-07-1996	NONE	
FR 2856271	A	24-12-2004	NONE	
US 5545164	A	13-08-1996	CA 2103200 A1	29-06-1994
			EP 0608623 A1	03-08-1994
			JP 6218003 A	09-08-1994
			US 5653708 A	05-08-1997
US 5672176	A	30-09-1997	AT 192308 T	15-05-2000
			CA 2171068 A1	16-09-1996
			DE 19509332 C1	14-08-1996
			EP 0732081 A1	18-09-1996
			JP 3792287 B2	05-07-2006
			JP 8257035 A	08-10-1996
US 5558674	A	24-09-1996	AU 1432795 A	03-07-1995
			EP 0741548 A1	13-11-1996
			JP 3726108 B2	14-12-2005
			JP 9511918 T	02-12-1997
			WO 9516403 A1	22-06-1995
US 6309391	B1	30-10-2001	AT 265188 T	15-05-2004
			AU 4167101 A	24-09-2001
			CA 2403051 A1	20-09-2001
			DE 60103031 D1	03-06-2004
			DE 60103031 T2	27-01-2005
			EP 1263339 A2	11-12-2002
			ES 2219513 T3	01-12-2004
			JP 2003526443 T	09-09-2003
			WO 0167973 A2	20-09-2001
			US 2002082599 A1	27-06-2002
US 2005283153	A1	22-12-2005	WO 2006009794 A1	26-01-2006
US 2005288669	A1	29-12-2005	WO 2005122922 A2	29-12-2005