



- (51) **International Patent Classification:**
A61B 1/04 (2006.01)
- (21) **International Application Number:**
PCT/US20 12/028099
- (22) **International Filing Date:**
7 March 2012 (07.03.2012)
- (25) **Filing Language:** English
- (26) **Publication Language:** English
- (30) **Priority Data:**
61/450,441 8 March 2011 (08.03.2011) US
- (71) **Applicant (for all designated States except US):** **THE JOHNS HOPKINS UNIVERSITY** [US/US]; 3400 North Charles Street, Baltimore, MD 21218 (US).
- (72) **Inventors; and**
- (75) **Inventors/Applicants (for US only):** **KALLOO, Anthony, N.** [US/US]; 1244 Dockside Circle, Baltimore, MD 21224 (US). **KHASHAB, Mouen, A.** [LB/US]; 960 Southerly Road, Apartment 249, Towson, MD 21204 (US).

- (74) **Agent:** **TAYLOR, Stacy, L.;** Dla Piper LLP (US), 4365 Executive Drive, Suite 1100, San Diego, CA 92121-2133 (US).
- (81) **Designated States (unless otherwise indicated, for every kind of national protection available):** AE, AG, AL, AM, AO, AT, AU, AZ, BA, BB, BG, BH, BR, BW, BY, BZ, CA, CH, CL, CN, CO, CR, CU, CZ, DE, DK, DM, DO, DZ, EC, EE, EG, ES, FI, GB, GD, GE, GH, GM, GT, HN, HR, HU, ID, IL, IN, IS, JP, KE, KG, KM, KN, KP, KR, KZ, LA, LC, LK, LR, LS, LT, LU, LY, MA, MD, ME, MG, MK, MN, MW, MX, MY, MZ, NA, NG, NI, NO, NZ, OM, PE, PG, PH, PL, PT, QA, RO, RS, RU, RW, SC, SD, SE, SG, SK, SL, SM, ST, SV, SY, TH, TJ, TM, TN, TR, TT, TZ, UA, UG, US, UZ, VC, VN, ZA, ZM, ZW.
- (84) **Designated States (unless otherwise indicated, for every kind of regional protection available):** ARIPO (BW, GH, GM, KE, LR, LS, MW, MZ, NA, RW, SD, SL, SZ, TZ, UG, ZM, ZW), Eurasian (AM, AZ, BY, KG, KZ, MD, RU, TJ, TM), European (AL, AT, BE, BG, CH, CY, CZ, DE, DK, EE, ES, FI, FR, GB, GR, HR, HU, IE, IS, IT, LT, LU, LV, MC, MK, MT, NL, NO, PL, PT, RO, RS, SE, SI, SK, SM, TR), OAPI (BF, BJ, CF, CG, CI, CM, GA, GN, GQ, GW, ML, MR, NE, SN, TD, TG).

[Continued on nextpage]

(54) **Title:** VISUALIZATION BALLOON AND METHOD OF USE THEREOF

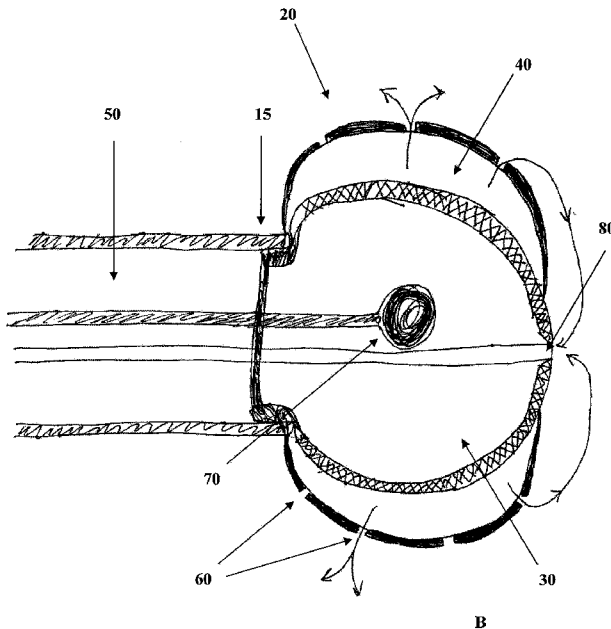


FIG. 3

(57) **Abstract:** The present invention utilizes a device and method for visualization of a bodily lumen. The invention provides a device and method for visualization and inspection of a bodily lumen via deployment of a dual lumen balloon including an optical sensor, the balloon configured to smooth folded tissue upon deployment as well as maintain the surface of the balloon free from debris for optimal visualization of the bodily lumen.



Published:

— *with international search report (Art. 21(3))*

(88) Date of publication of the international search report:

17 April 2014

INTERNATIONAL SEARCH REPORT

International application No.
PCT/US 12/28099

A. CLASSIFICATION OF SUBJECT MATTER

IPC(8) - A61 B 1/04 (201 2.01)

USPC - 600/1 16

According to International Patent Classification (IPC) or to both national classification and IPC

B. FIELDS SEARCHED

Minimum documentation searched (classification system followed by classification symbols)

IPC(8) - A61 B 1/04 (2012.01)

USPC - 600/1 16

Documentation searched other than minimum documentation to the extent that such documents are included in the fields searched

IPC(8) - A61 B 1/04 (2012.01)

USPC - 600/101 , 116, 121 , 122, 123

Electronic data base consulted during the international search (name of data base and, where practicable, search terms used)

PubWEST (PGPB, USPT, EPAB, JPAB); Google (Patents, Scholar, Web)

Search Terms: Balloon, inflate, transmitting, transparent, translucent, lumen, passage, channel, inner, inside, outer, outside, dual, coaxial, expand, inflate, end, tip, protrude, distal, optical, sensor, video, camera, fluid, water, saline, pore, porous, circumference,

C. DOCUMENTS CONSIDERED TO BE RELEVANT

Category*	Citation of document, with indication, where appropriate, of the relevant passages	Relevant to claim No.
Y	US 2010/0081873 A1 (TANIMURA et al.) 01 April 2010 (01.04.2010) Abstract; Claim 49; Fig. 1, 2B, 4A-5A, 6, 7B; Para [0016], [0037]-[0040], [0045], [0052]-[0057], [0060], [0062]-[0063]	1-21
Y	US 2007/0162047 A1 (GASCHE) 12 July 2007 (12.07.2007) Fig. 1, 8-9; Para [0095]-[0094], [0097], [0103]-[0105]	1-21
Y	US 2006/0074274 A1 (FRIEDMAN et al.) 06 April 2006 (06.04.2006) Fig. 1-2, 7C, 10; Para [0048]-[0049], [0051]-[0052]	2, 18
Y	US 2003/0225433 A1 (NAKAO) 04 December 2003 (04.12.2003) Fig. 2; Para [0057]	5
Y	US 2009/0171 157 A1 (DIEDERICH et al.) 02 July 2009 (02.07.2009) Fig. 8; Para [0070]	10, 17-21

Further documents are listed in the continuation of Box C.

* Special categories of cited documents:

"A" document defining the general state of the art which is not considered to be of particular relevance

"E" earlier application or patent but published on or after the international filing date

"L" document which may throw doubts on priority claim(s) or which is cited to establish the publication date of another citation or other special reason (as specified)

"O" document referring to an oral disclosure, use, exhibition or other means

"P" document published prior to the international filing date but later than the priority date claimed

"T" later document published after the international filing date or priority date and not in conflict with the application but cited to understand the principle or theory underlying the invention

"X" document of particular relevance; the claimed invention cannot be considered novel or cannot be considered to involve an inventive step when the document is taken alone

"Y" document of particular relevance; the claimed invention cannot be considered to involve an inventive step when the document is combined with one or more other such documents, such combination being obvious to a person skilled in the art

"&" document member of the same patent family

Date of the actual completion of the international search

17 June 2012 (17.06.2012)

Date of mailing of the international search report

05 JUL 2012

Name and mailing address of the ISA/US

Mail Stop PCT, Attn: ISA/US, Commissioner for Patents
P.O. Box 1450, Alexandria, Virginia 22313-1450

Facsimile No. 571-273-3201

Authorized officer:

Lee W. Young

PCT Helpdesk: 571-272-4300
PCT OSP: 571-272-7774