

(12) **UK Patent Application** (19) **GB** (11) **2 397 298** (13) **A**

(43) Date of Printing by UK Office 21.07.2004

(21) Application No: **0410029.3**
(22) Date of Filing: **01.11.2002**
(30) Priority Data:
(31) **0127088** (32) **10.11.2001** (33) **GB**

(86) International Application Data:
PCT/GB2002/005011 En 01.11.2002

(87) International Publication Data:
WO2003/042525 En 22.05.2003

(71) Applicant(s):
Yew Tree Consultants Limited
(Incorporated in the United Kingdom)
2 Flint Cottages, Woodcote Farm,
Graffham, PETWORTH, West Sussex,
GU28 0NU, United Kingdom

(72) Inventor(s):
Peter Reginald Clarke
Susan Marie Barnes
David Peter Rickman

(continued on next page)

(51) INT CL⁷:
B65D 51/24

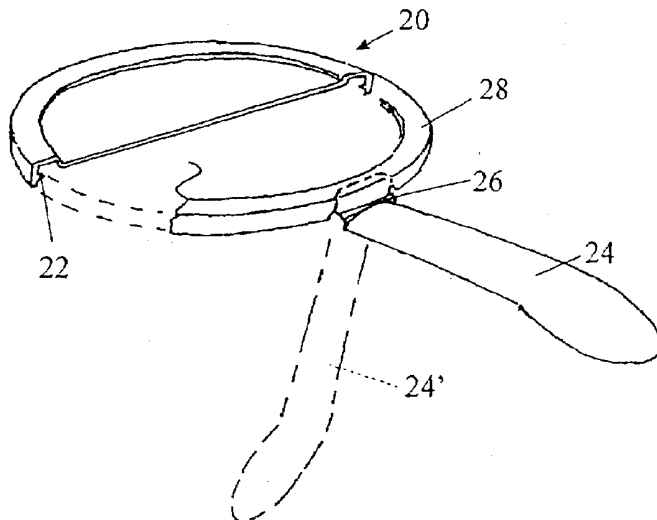
(52) UK CL (Edition W):
B8T TRE

(56) Documents Cited by ISA:
CH 000256207 A **DE 029511971 U**
FR 002806710 A **FR 000705912 A**
US 5769253 A **US 4339033 A**

(58) Field of Search by ISA:
INT CL⁷ **A47G, B65D**
Other: **EPO-Internal, PAJ**

(54) Abstract Title: **Container fitment**

(57) A fitment is disclosed intended in particular for a foodstuff container of the type having a mouth sealed by means of a foil adhered to the upper rim of the container. The fitment (20) includes an annular portion (28) for engaging the upper rim of the container so as to retain the fitment on the container and a utensil (24) moulded integrally with the annular portion to project outwards from the annular portion. The utensil (24) is connected to the annular portion (28) by means of a hinge (26) so as to permit the utensil to be pivoted into a position (24') in which it lies against one side of the container.



GB 2397298 A continuation

(74) Agent and/or Address for Service:
A Messulam & Co. Ltd
43-45 High Road, Bushey Heath, BUSHEY,
Herts, WD23 1EE, United Kingdom