



US00D885882S

(12) **United States Design Patent**  
**Tsuchihashi et al.**

(10) **Patent No.:** **US D885,882 S**

(45) **Date of Patent:** **\*\* Jun. 2, 2020**

(54) **BOX FOR PACKAGING**

OTHER PUBLICATIONS

(71) Applicant: **SUMITOMO RUBBER INDUSTRIES, LTD.**, Kobe-shi, Hyogo (JP)

Golf Ball Package: Announced Sep. 20, 2010 [online]. Site Visited [Aug. 27, 2019]. Available from Internet URL: <https://www.turbosquid.com/3d-models/3d-3ds-retail-golf-ball/557580>.\*

(Continued)

(72) Inventors: **Satoko Tsuchihashi**, Kobe (JP); **Mari Takeda**, Kobe (JP)

*Primary Examiner* — Catherine S Posthauer

(73) Assignee: **SUMITOMO RUBBER INDUSTRIES, LTD.**, Kobe-Shi, Hyogo (JP)

(74) *Attorney, Agent, or Firm* — Birch, Stewart, Kolasch & Birch, LLP

(\*\*) Term: **15 Years**

(57) **CLAIM**

(21) Appl. No.: **29/601,542**

The ornamental design for a box for packaging, as shown and described.

(22) Filed: **Apr. 24, 2017**

(30) **Foreign Application Priority Data**

Oct. 25, 2016 (JP) ..... 2016-023163

(51) **LOC (12) Cl.** ..... **09-03**

(52) **U.S. Cl.**

USPC ..... **D9/418**; D9/432

(58) **Field of Classification Search**

USPC ..... D6/300, 308, 546, 672, 675, 678.2; D7/300, 305, 306, 307, 308, 312, 313, (Continued)

(56) **References Cited**

U.S. PATENT DOCUMENTS

D129,731 S \* 9/1941 Luttrell ..... D9/418  
3,301,143 A \* 1/1967 Palmer ..... B65D 5/4204  
493/121

(Continued)

FOREIGN PATENT DOCUMENTS

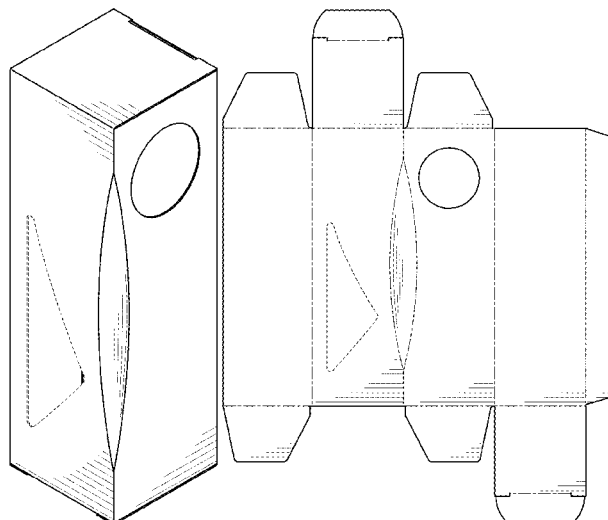
JP D1252284 S 10/2005  
JP D1352508 S 3/2009

(Continued)

**DESCRIPTION**

FIG. 1 is a perspective view of a box for packaging showing our new design, shown in an assembled configuration; FIG. 2 is a front view thereof; FIG. 3 is a back view thereof; FIG. 4 is a left view thereof; FIG. 5 is a right view thereof; FIG. 6 is a top view thereof; FIG. 7 is a bottom view thereof; FIG. 8 is a cross sectional view thereof, taken in the direction of line 8-8 on FIG. 2; FIG. 9 is a cross sectional view thereof, taken in the direction of line 9-9 on FIG. 2; and, FIG. 10 is a plan view thereof, showing the box for packaging in an unfolded configuration. The evenly broken lines are shown for the purpose of illustrating parts of the article that form no part of the claim. The dot-dash lines shown from FIG. 10 represent exemplary fold lines and form no part of the claim.

**1 Claim, 10 Drawing Sheets**



(58) **Field of Classification Search**

USPC ..... D7/391, 397, 541, 550.1, 553.1, 553.2,  
 D7/553.3, 555.589, 590, 601, 602, 701;  
 D9/414, 415, 418, 420, 424, 425, 426,  
 D9/430, 432, 433, 434, 455, 456, 457,  
 D9/499, 721, 722, 737, 756, 759, 760,  
 D9/761, 612, 653, 661, 667, 674; D19/3,  
 D19/75, 107; D20/11, 14, 19, 21, 22, 27,  
 D20/40, 42, 43, 44; D14/300, 308, 313,  
 D14/314, 348-356, 441-446, 489, 491,  
 D14/492, 494, 495; D5/6, 7, 11, 23, 25,  
 D5/26, 37, 45, 56, 57, 58, 59.6, 61, 62  
 CPC ..... A47J 47/20; B65D 21/083; B65D 21/086;  
 B65D 57/00; B65D 61/02; B65D 81/133;  
 B65D 5/0254; B65D 5/0045; B65D 5/18;  
 B65D 5/2033; B65D 5/38; B65D 5/40;  
 B65D 5/48038; B65D 5/48032; B65D  
 5/48004; B65D 1/24; B65D 1/34; B65D  
 1/38; B65D 1/335; B65D 77/24; B65D  
 77/067; B65D 5/00-02; B65D  
 5/0209-0272; B65D 5/029; B65D 5/72;  
 B65D 5/541; B65D 5/705; B65D 5/706;  
 B65D 5/727; B65D 5/4204; B65D 1/00;  
 B65D 1/02; B65D 1/0233; B65D 1/22;  
 B65D 1/32; B65D 1/36; B65D 1/40;  
 B65D 1/225; B65D 23/00; B65D 23/12;  
 B65D 23/14; B65D 2543/00296; B65D  
 15/08; B65D 65/22; A47L 13/00; A47L  
 13/10; A47L 13/12; A47L 13/16; A47L  
 13/17; A47L 13/18

See application file for complete search history.

(56) **References Cited**

U.S. PATENT DOCUMENTS

D244,993 S \* 7/1977 Drysdale ..... D9/432  
 D393,800 S \* 4/1998 Harrison ..... D9/415  
 D467,495 S \* 12/2002 Lenz ..... D9/418  
 D468,638 S \* 1/2003 Nogami ..... D9/423  
 D521,376 S \* 5/2006 Mosto ..... D9/430  
 D543,450 S \* 5/2007 Watzig ..... D9/418  
 D580,751 S \* 11/2008 Blick ..... D9/432  
 D589,343 S \* 3/2009 Bohache ..... D9/430  
 D604,602 S \* 11/2009 Kohno ..... D9/418  
 D604,603 S \* 11/2009 Kohno ..... D9/418  
 D635,018 S \* 3/2011 Wallace ..... D9/433  
 D654,786 S \* 2/2012 Rye ..... D9/418

D655,600 S \* 3/2012 Work ..... D9/418  
 D657,239 S 4/2012 Gavrilentkov et al.  
 D676,742 S \* 2/2013 Walter ..... D9/434  
 D682,684 S 5/2013 Walter et al.  
 D691,466 S \* 10/2013 Buogo ..... D9/418  
 D702,546 S \* 4/2014 McAdam ..... D9/418  
 D706,129 S \* 6/2014 Boraczek ..... D9/418  
 D714,638 S \* 10/2014 Mohn ..... D9/432  
 D728,364 S \* 5/2015 Baker ..... D9/432  
 D764,284 S \* 8/2016 Mohn ..... D9/432  
 D787,934 S \* 5/2017 Bore ..... D9/433  
 D811,874 S \* 3/2018 Bogdziewicz, III ..... D9/432  
 D824,250 S \* 7/2018 Struggl ..... D9/430  
 D847,660 S \* 5/2019 Schumaker ..... D9/734  
 10,343,810 B1 \* 7/2019 Schumaker ..... A47K 10/18  
 2008/0169338 A1 \* 7/2008 Han ..... B65D 5/0005  
 229/103.3  
 2009/0242435 A1 \* 10/2009 Van Rijssel ..... B65D 85/1036  
 206/273  
 2010/0282829 A1 \* 11/2010 Jackson ..... B65D 3/261  
 229/125.42  
 2011/0215136 A1 \* 9/2011 Ouillette ..... B65D 5/5033  
 229/117.3  
 2013/0236607 A1 \* 9/2013 Rye ..... B65D 5/0254  
 426/87  
 2014/0020700 A1 \* 1/2014 Park ..... A45D 29/18  
 132/75  
 2014/0069994 A1 \* 3/2014 Carroll ..... B65D 5/0254  
 229/237  
 2015/0014404 A1 \* 1/2015 Iwata ..... B65D 5/662  
 229/160.1  
 2016/0347018 A1 \* 12/2016 Carroll ..... B65D 5/0254

FOREIGN PATENT DOCUMENTS

JP D1361865 S 6/2009  
 JP D1361866 S 6/2009  
 JP D1366943 S 8/2009  
 JP D1467564 S 4/2013  
 KR 30-0513880 S 11/2008

OTHER PUBLICATIONS

Golf Ball Package: Site Visited [Aug. 27, 2019]. Available from Internet URL: <http://www.leslehman.com/wp-content/uploads/2014/05/BrewsterCheesePackageDesign2Lehman.jpg>.  
 Japanese Office Action and English translation thereof, dated Jun. 6, 2017, for Japanese Application No. 2016-023163.  
 Japanese Office Action for Japanese Application No. 2017-017152, dated Jun. 26, 2018, with English translation.

\* cited by examiner

FIG. 1

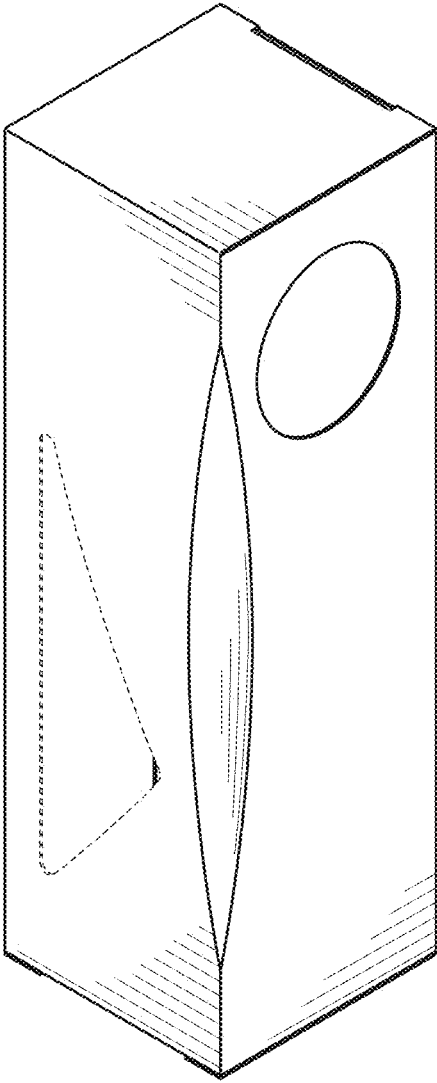


FIG. 2

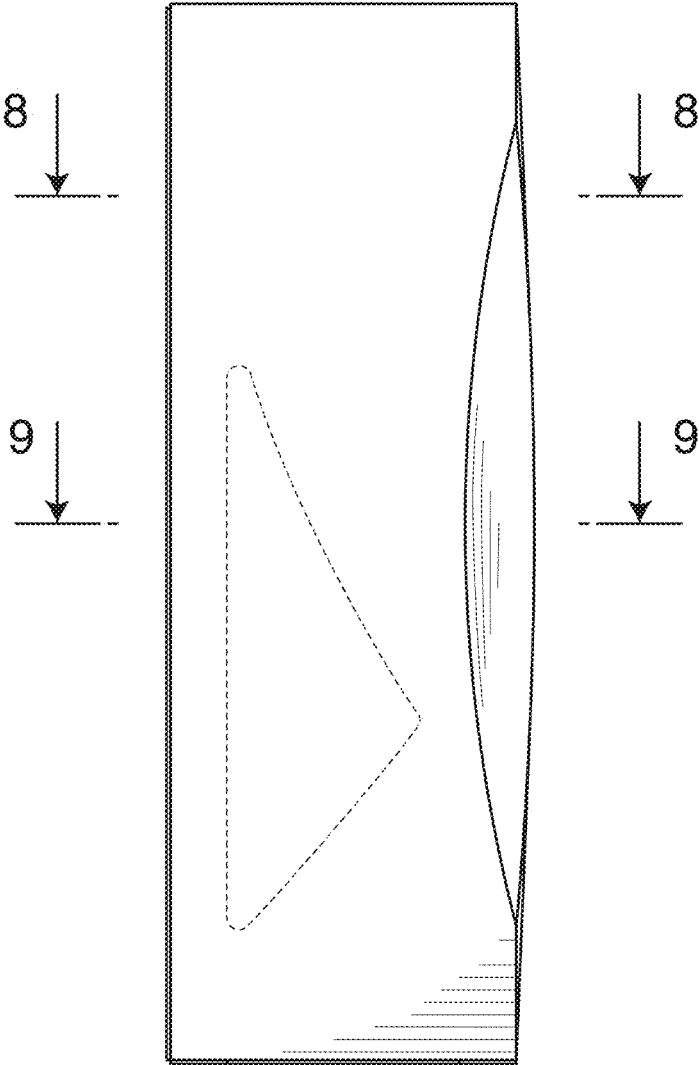


FIG. 3

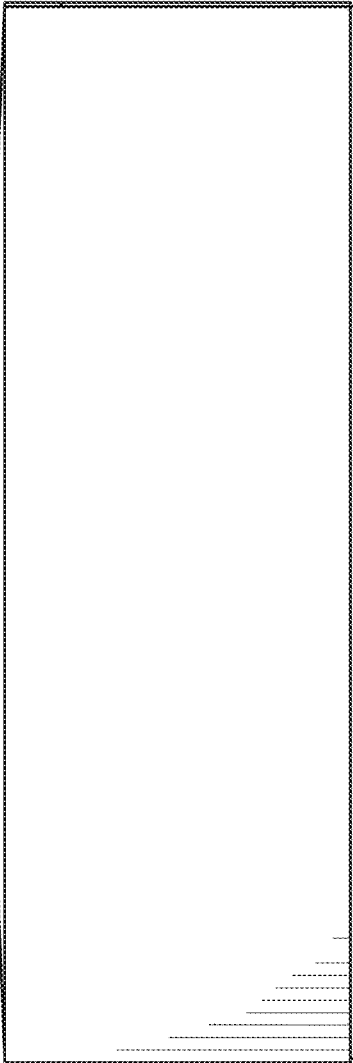


FIG. 4

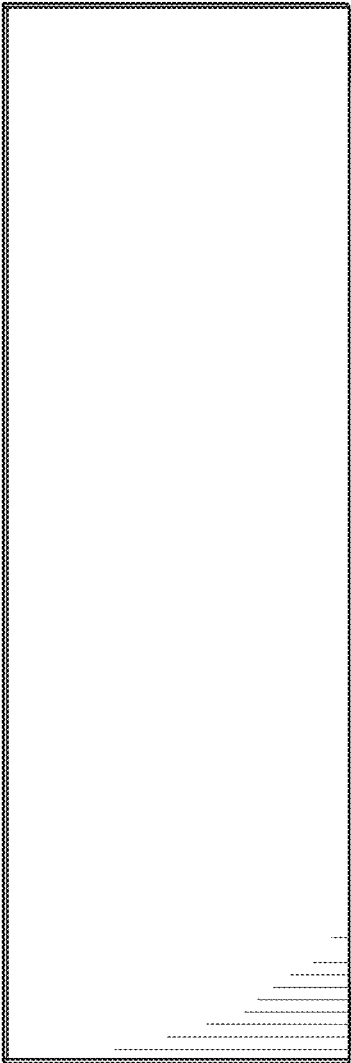


FIG. 5

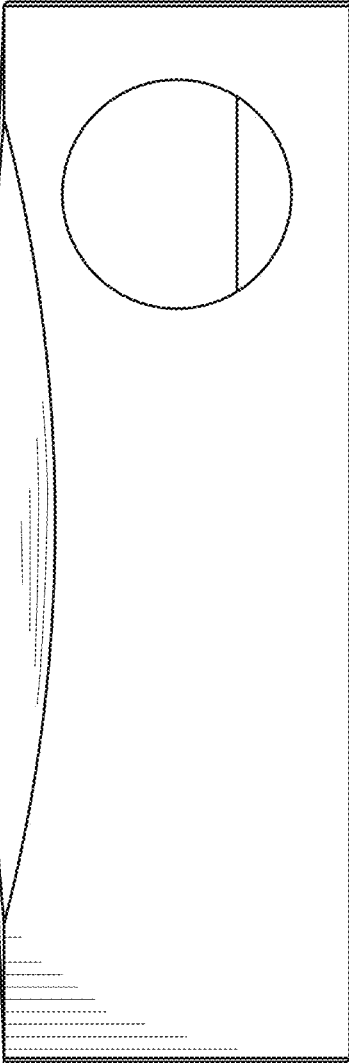


FIG. 6

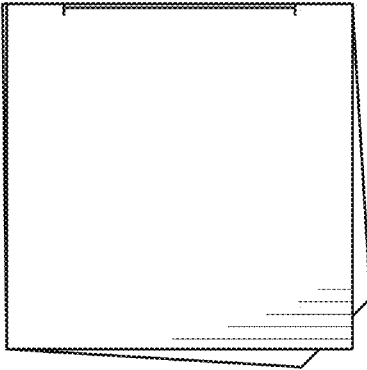




FIG. 7

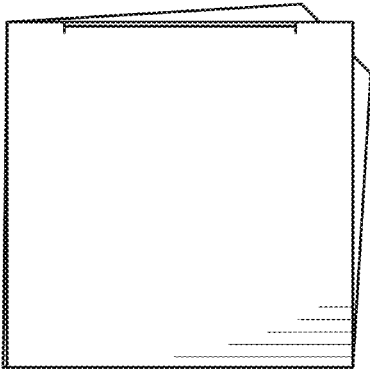


FIG. 8

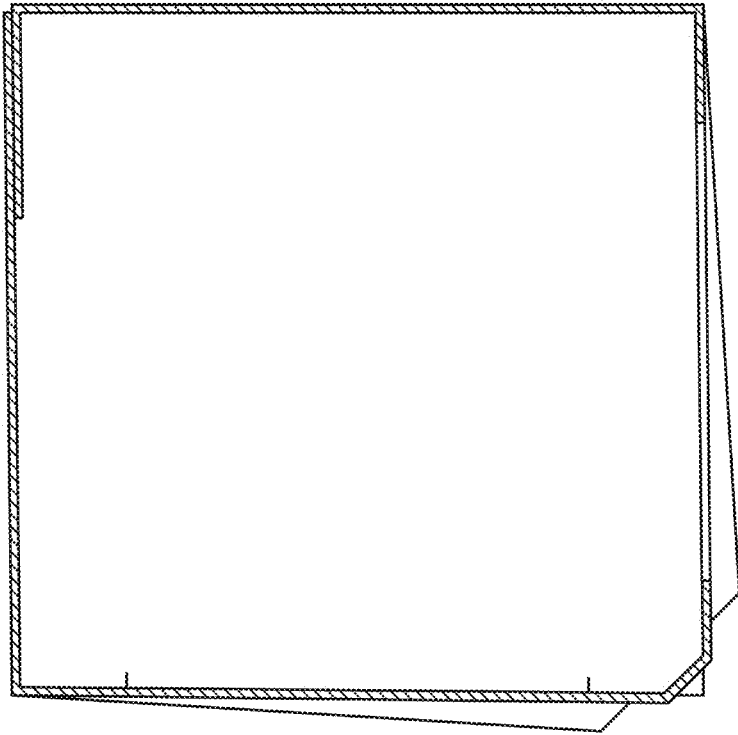


FIG. 9

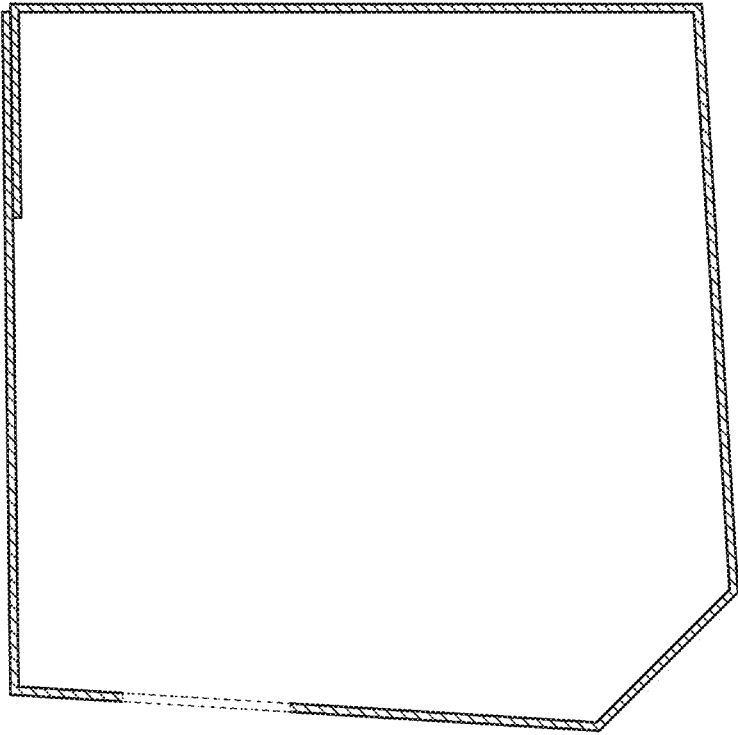


FIG. 10

