



(12) **United States Design Patent**  
**Fedorak et al.**

(10) **Patent No.:** **US D812,952 S**  
(45) **Date of Patent:** **\*\* \*Mar. 20, 2018**

(54) **BEVERAGE MACHINE**  
(71) Applicant: **BARTESIAN INC.**, Kitchener (CA)

D600,967 S \* 9/2009 Cahen ..... D7/309  
D602,303 S \* 10/2009 Cahen ..... D7/309  
D690,150 S \* 9/2013 Cahen ..... D7/309

(Continued)

(72) Inventors: **Bryan Neil Stephen Fedorak**,  
Kitchener (CA); **Jason Neevel**,  
Kitchener (CA); **Kristopher**  
**Christensen**, Oakville (CA); **Jacob**  
**Edding**, East York (CA); **Art de**  
**Guzman**, Toronto (CA); **Nicol**  
**Alexander Boyd**, Kennedy Town (HK);  
**Tomas Wilhelm Rosén**, Lidingö (SE)

**FOREIGN PATENT DOCUMENTS**

CA 2755426 A1 10/2010  
CA 2871082 A1 11/2013

(Continued)

**OTHER PUBLICATIONS**

International Search Report dated Jun. 15, 2017 for PCT Interna-  
tional Application No. PCT/IB2017/051205.

(Continued)

*Primary Examiner* — Marianne Pandozzi  
(74) *Attorney, Agent, or Firm* — Perry + Currier Inc.

(73) Assignee: **BARTESIAN INC.**, Kitchener (CA)

(\* ) Notice: This patent is subject to a terminal dis-  
claimer.

(\*\*) Term: **15 Years**

(57) **CLAIM**

What is claimed is the ornamental design for a beverage  
machine, as shown and described.

(21) Appl. No.: **29/556,027**

(22) Filed: **Feb. 26, 2016**

(51) **LOC (11) Cl.** ..... **07-01**

(52) **U.S. Cl.**

USPC ..... **D7/306**; D7/311; D7/309

(58) **Field of Classification Search**

USPC ..... D7/305-311, 313; D15/82; 222/129.1,

222/146.6; 99/295

CPC ..... A47J 31/44; A47J 31/4403; A47J 31/46;

A47J 31/4482; A47J 31/369; A47J

31/407; A47J 31/10; A47J 31/467; A47J

31/0615; B67D 1/36; B67D 2210/0065;

B67D 1/0864; B67D 3/0061

See application file for complete search history.

**DESCRIPTION**

FIG. 1 is a top front perspective view of a beverage machine  
showing our new design;

FIG. 2 is a front view thereof;

FIG. 3 is a top plan view thereof;

FIG. 4 is a bottom plan view thereof;

FIG. 5 is a left side view thereof;

FIG. 6 is a right side view thereof;

FIG. 7 is a rear view thereof;

FIG. 8 is a bottom front perspective view thereof;

FIG. 9 is a top front perspective view thereof;

FIG. 10 is a front view in open position thereof;

FIG. 11 is a rear view in open position thereof;

FIG. 12 is a left side view in open position thereof;

FIG. 13 is a right side view in open position thereof; and,

FIG. 14 is a bottom front perspective view in open position  
thereof.

(56) **References Cited**

**U.S. PATENT DOCUMENTS**

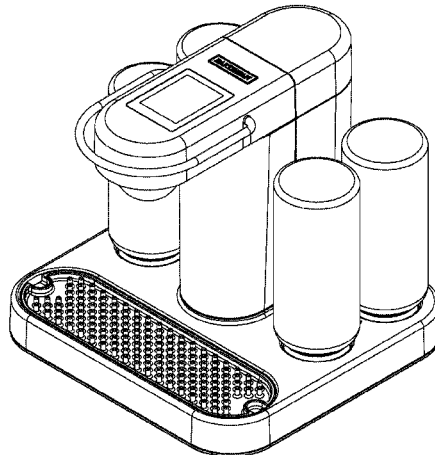
D552,402 S \* 10/2007 Schwamkrug ..... D7/309

D560,950 S \* 2/2008 Schwamkrug ..... D7/309

7,565,860 B1 \* 7/2009 Liu ..... A47J 31/10

99/291

**1 Claim, 14 Drawing Sheets**



(56)

**References Cited**

## U.S. PATENT DOCUMENTS

D696,888 S \* 1/2014 Cahen ..... D7/309  
D718,972 S \* 12/2014 Jorgensen ..... D7/309  
D724,369 S \* 3/2015 Cahen ..... D7/309  
D726,482 S \* 4/2015 Cahen ..... D7/309  
D728,481 S \* 5/2015 Schulte ..... D13/139.4  
D728,986 S \* 5/2015 De'Longhi ..... D7/309  
D728,987 S \* 5/2015 Cahen ..... D7/309  
D728,988 S \* 5/2015 Warburton ..... D7/306  
D731,223 S \* 6/2015 Hatherell ..... D7/306  
D742,679 S \* 11/2015 Bartoli ..... D7/309  
D761,051 S \* 7/2016 Bartoli ..... D7/309  
D771,993 S \* 11/2016 Cai ..... D7/309  
2010/0288132 A1\* 11/2010 Gavillet ..... A47J 31/3628  
99/295  
2014/0026761 A1 1/2014 Bartoli et al.  
2015/0166258 A1 6/2015 Gruder  
2016/0255990 A1\* 9/2016 Bartoli ..... A47J 31/0668

## FOREIGN PATENT DOCUMENTS

CA 2895646 A1 7/2014  
CA 2894436 A1 12/2015

## OTHER PUBLICATIONS

Written Opinion of the International Searching Authority dated Jun.  
15, 2017 for PCT International Application No. PCT/IB2017/  
051205.

\* cited by examiner

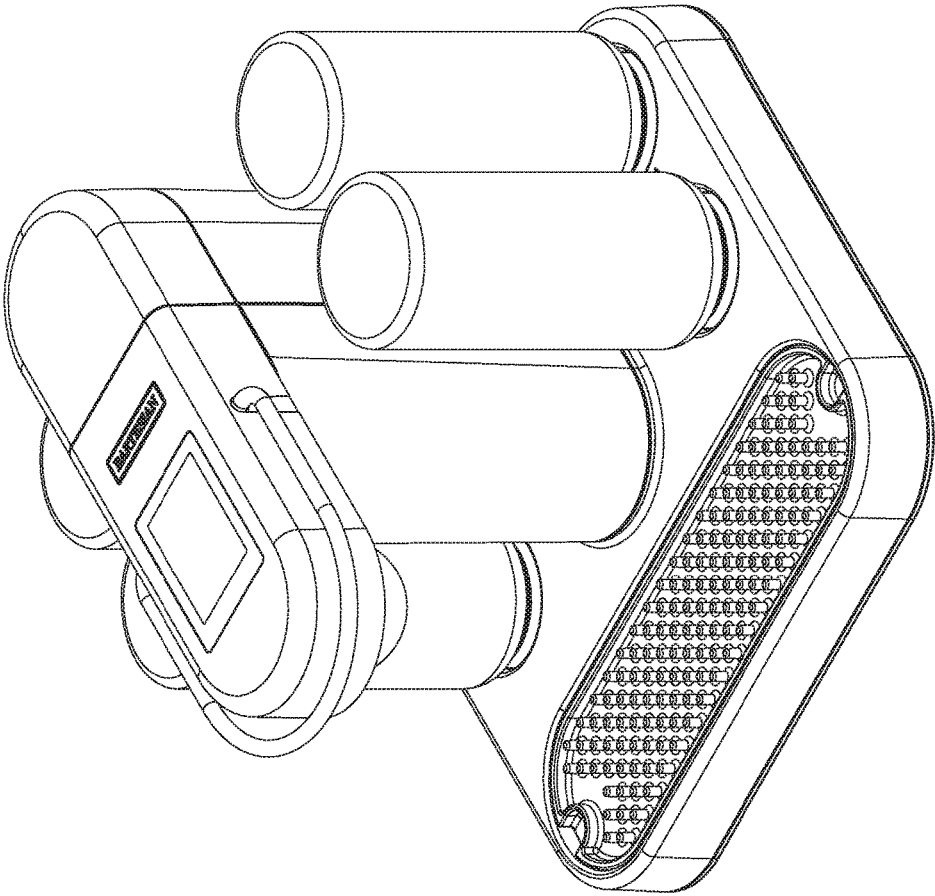


FIG. 1

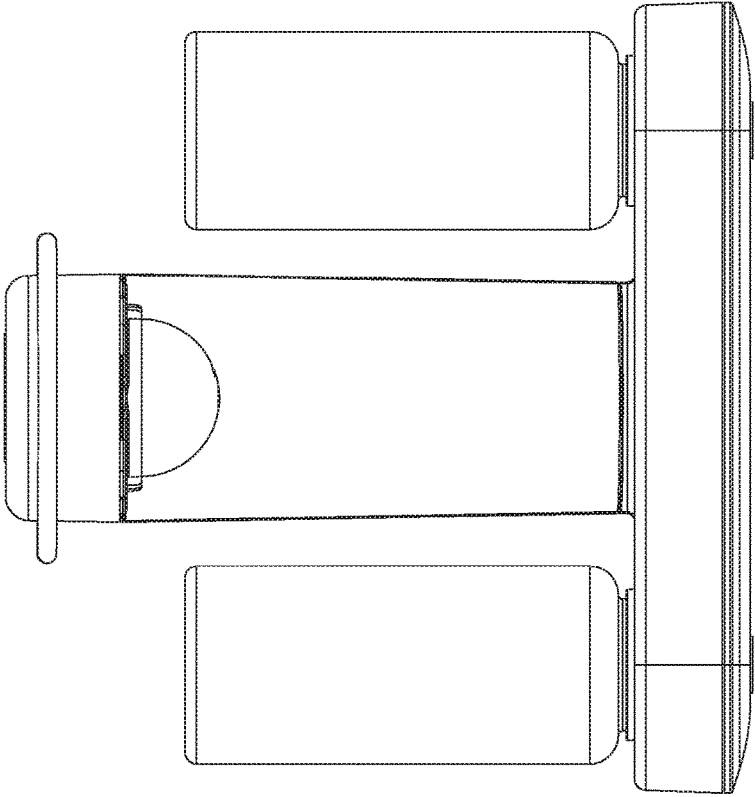


FIG. 2

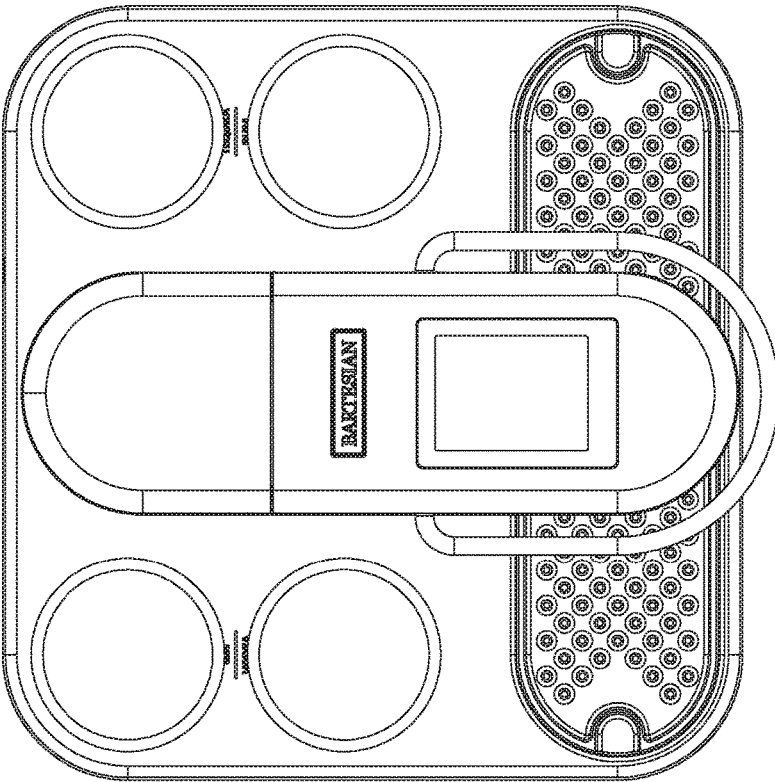


FIG. 3

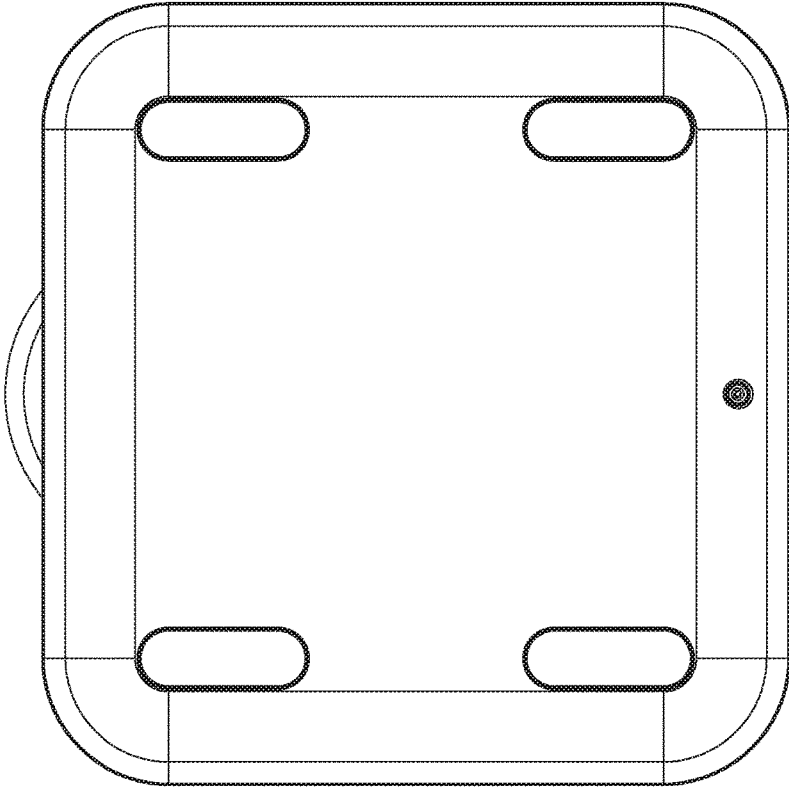


FIG. 4

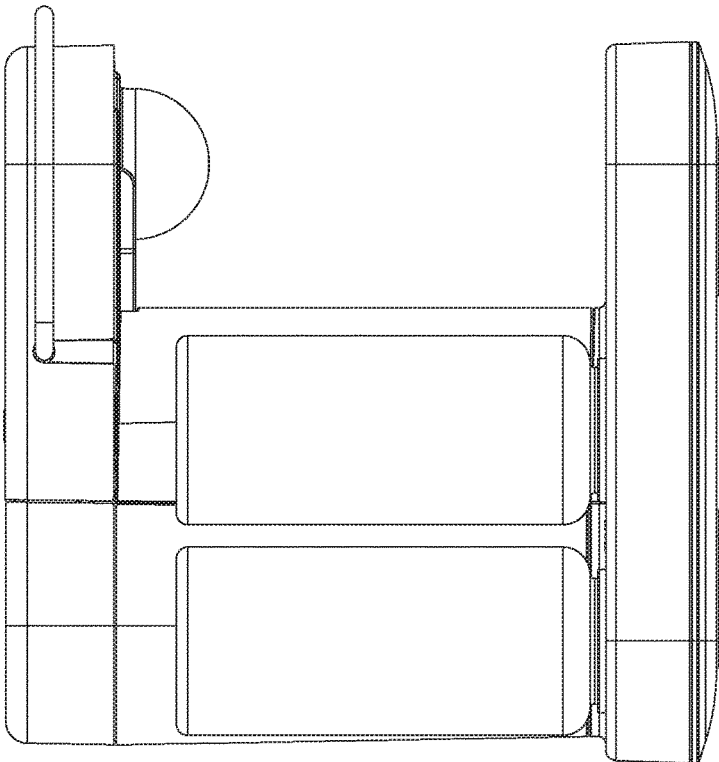


FIG. 5

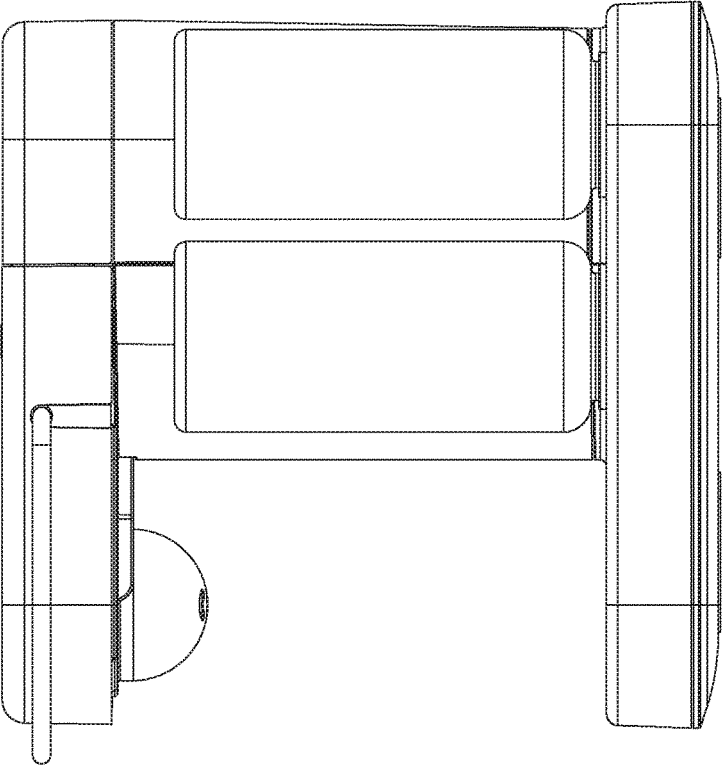


FIG. 6



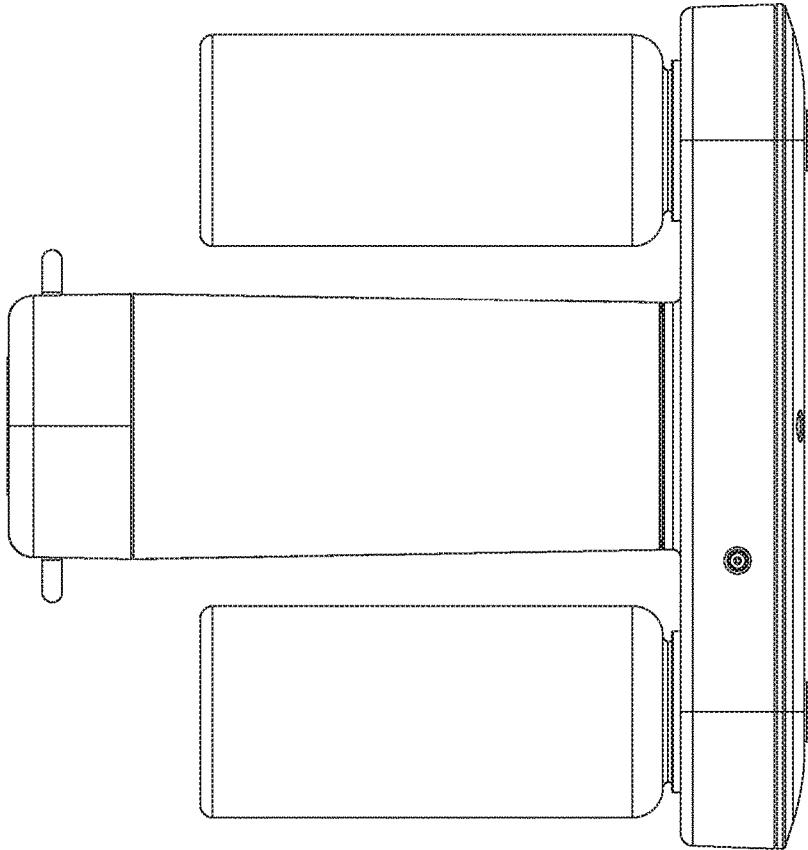


FIG. 7

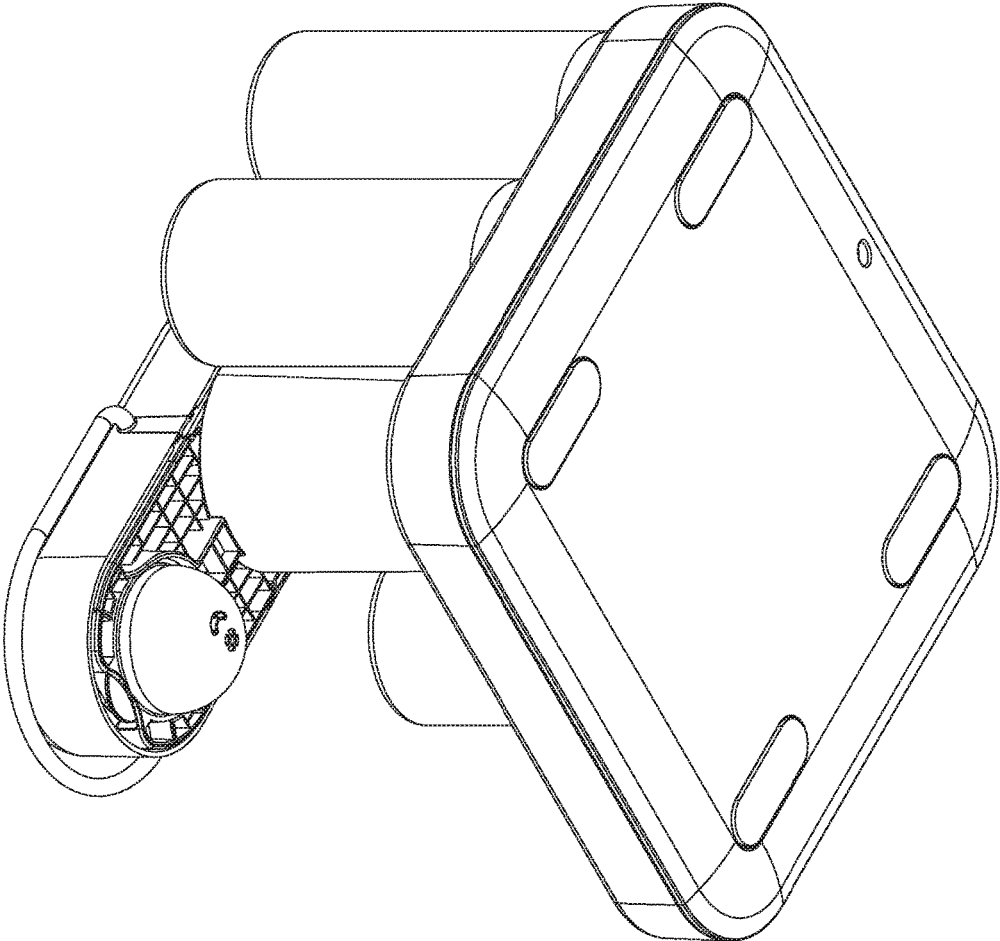


FIG. 8

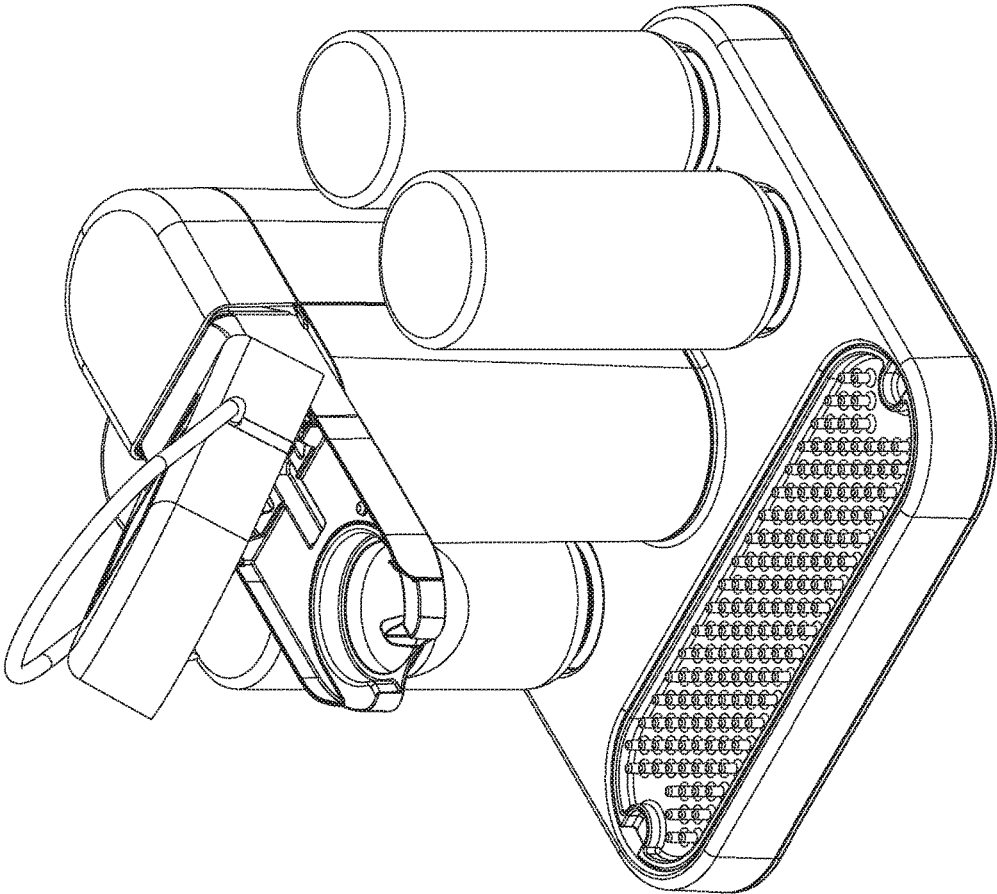


FIG. 9

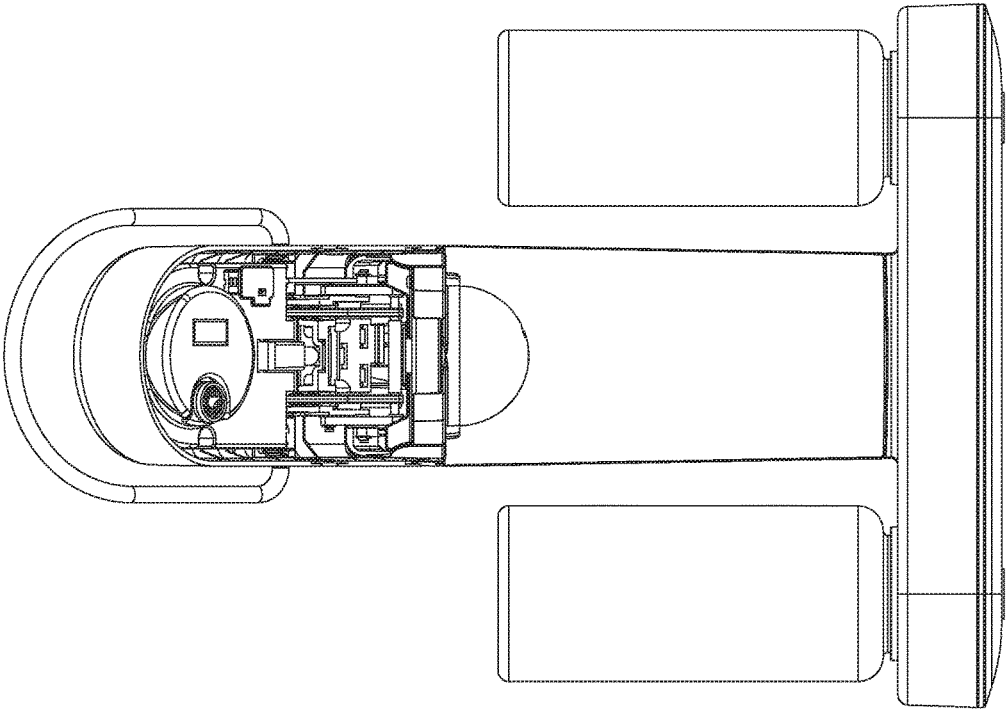


FIG. 10

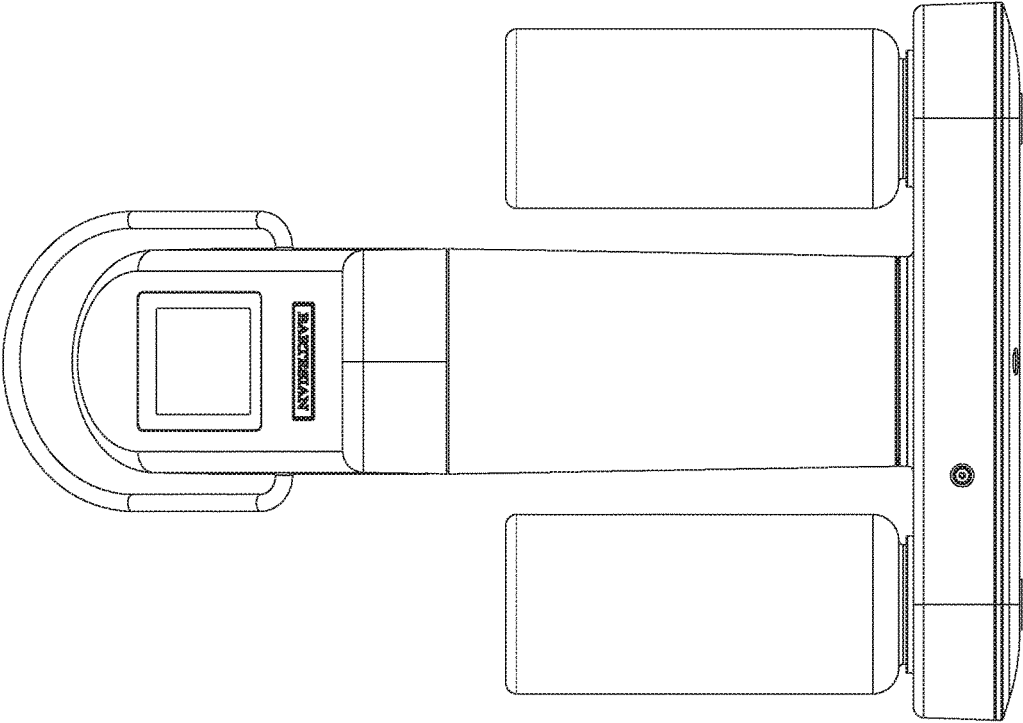


FIG. 11

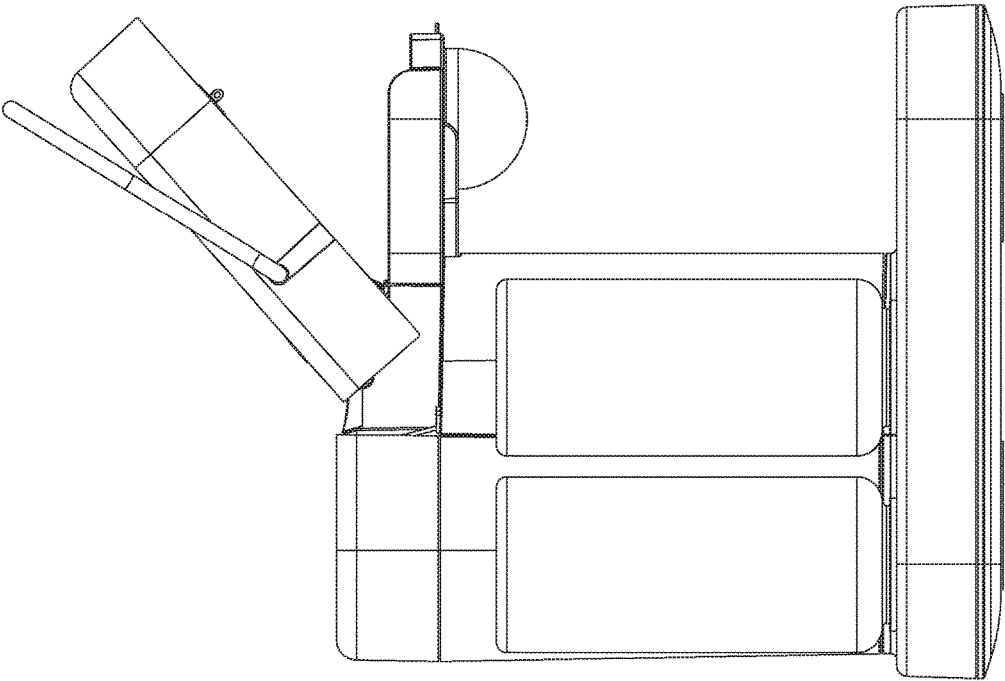


FIG. 12

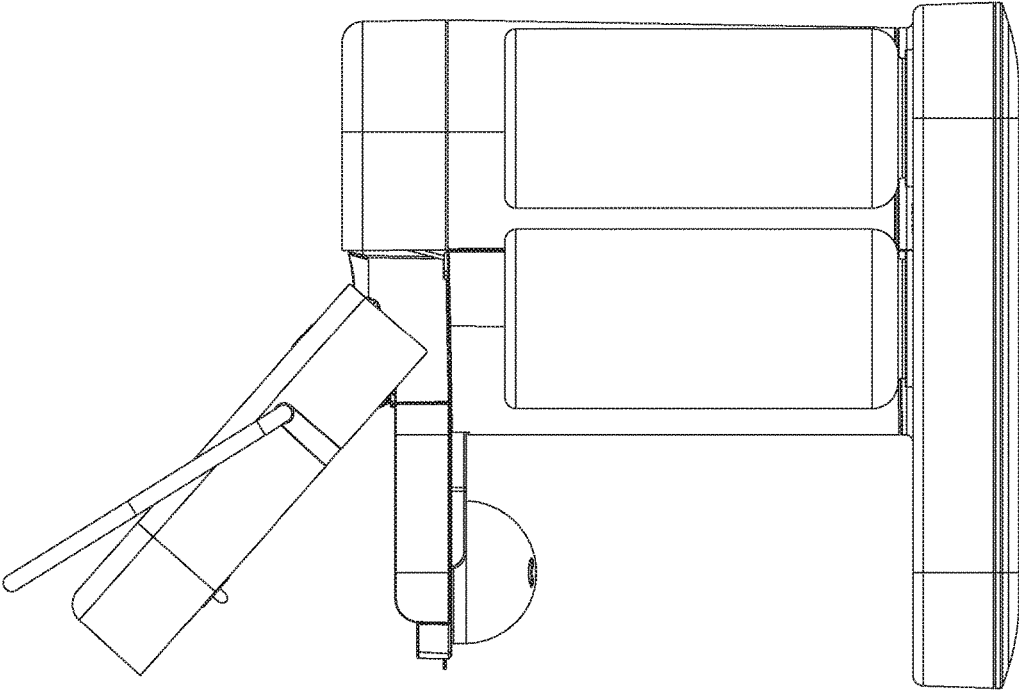


FIG. 13

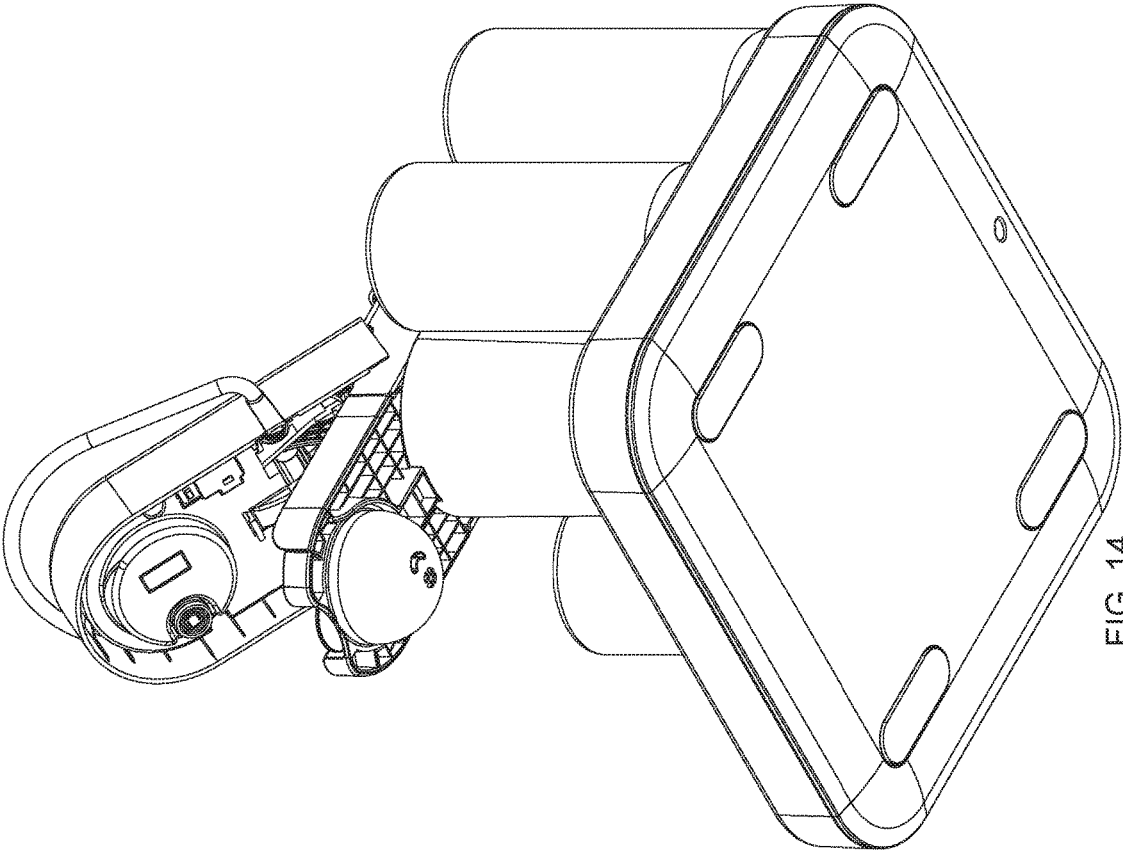


FIG. 14