

(19) World Intellectual Property Organization  
International Bureau



(43) International Publication Date  
1 November 2007 (01.11.2007)

PCT

(10) International Publication Number  
**WO 2007/123768 A3**

- (51) International Patent Classification:  
*F16H 48/20* (2006.01)
- (21) International Application Number:  
PCT/US2007/008024
- (22) International Filing Date: 30 March 2007 (30.03.2007)
- (25) Filing Language: English
- (26) Publication Language: English
- (30) Priority Data:  
60/787,331 30 March 2006 (30.03.2006) US
- (71) Applicant (for all designated States except US): **METAL-DYNE COMPANY, LLC** [US/US]; 47603 Halyard Drive, Plymouth, MI 48170 (US).

AT, AU, AZ, BA, BB, BG, BH, BR, BW, BY, BZ, CA, CH, CN, CO, CR, CU, CZ, DE, DK, DM, DZ, EC, EE, EG, ES, FI, GB, GD, GE, GH, GM, GT, HN, HR, HU, ID, IL, IN, IS, JP, KE, KG, KM, KN, KP, KR, KZ, LA, LC, LK, LR, LS, LT, LU, LY, MA, MD, MG, MK, MN, MW, MX, MY, MZ, NA, NG, NI, NO, NZ, OM, PG, PH, PL, PT, RO, RS, RU, SC, SD, SE, SG, SK, SL, SM, SV, SY, TJ, TM, TN, TR, TT, TZ, UA, UG, US, UZ, VC, VN, ZA, ZM, ZW.

(84) Designated States (unless otherwise indicated, for every kind of regional protection available): ARIPO (BW, GH, GM, KE, LS, MW, MZ, NA, SD, SL, SZ, TZ, UG, ZM, ZW), Eurasian (AM, AZ, BY, KG, KZ, MD, RU, TJ, TM), European (AT, BE, BG, CH, CY, CZ, DE, DK, EE, ES, FI, FR, GB, GR, HU, IE, IS, IT, LT, LU, LV, MC, MT, NL, PL, PT, RO, SE, SI, SK, TR), OAPI (BF, BJ, CF, CG, CI, CM, GA, GN, GQ, GW, ML, MR, NE, SN, TD, TG).

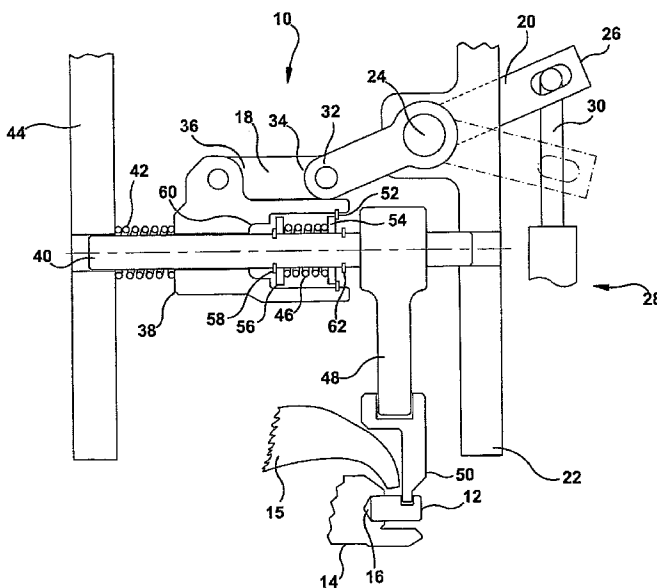
Published:  
— with international search report  
— before the expiration of the time limit for amending the claims and to be republished in the event of receipt of amendments

(88) Date of publication of the international search report:  
17 January 2008

For two-letter codes and other abbreviations, refer to the "Guidance Notes on Codes and Abbreviations" appearing at the beginning of each regular issue of the PCT Gazette.

- (72) Inventors: **LUBBEN, Jeffrey, L.**; 7436 Dalota Dr., Pinckney, MI 48169 (US). **MCALISTER, Ryan**; 15357 Dasher, Allen Park, MI 48101 (US).
- (74) Agent: **PRIBISICH, Risto**; McDonald Hopkins Llc, 600 Superior Avenue, E., Suite 2100, Cleveland, OH 44114 (US).
- (81) Designated States (unless otherwise indicated, for every kind of national protection available): AE, AG, AL, AM,

(54) Title: OVER-CENTER LINKAGE FOR ENGAGING A LOCKING DIFFERENTIAL OR OTHER MECHANISM



(57) Abstract: The assembly (1) includes an actuator (28), a housing (38), a shaft (40), a pair of biasing members (42 and 46), a side gear (14), and a locking pin (12). The actuator (28) is arranged to move the assembly (10) from a first position to a second position. The housing (38) is coupled to the actuator (28). The first biasing member (42) biases the housing, and the second biasing member (46) biases the housing (38) and shaft (40). The side gear (14) includes an aperture (16) for engaging the locking pin (12). The locking pin (12) is coupled to the shaft (40) such that the biasing of the shaft (40) determines whether the locking pin (12) is biased into engagement with the aperture (16) or out of engagement with the aperture (16).

WO 2007/123768 A3

**INTERNATIONAL SEARCH REPORT**

International application No.

PCT/US07/08024

**A. CLASSIFICATION OF SUBJECT MATTER**

IPC: **F16H 48/20**(2006.01)

USPC: 475/231

According to International Patent Classification (IPC) or to both national classification and IPC

**B. FIELDS SEARCHED**

Minimum documentation searched (classification system followed by classification symbols)  
U.S. : 475/231, 230, 240; 074/473.21, 473.3, 473.35, 473.36, 473.37

Documentation searched other than minimum documentation to the extent that such documents are included in the fields searched

Electronic data base consulted during the international search (name of data base and, where practicable, search terms used)

**C. DOCUMENTS CONSIDERED TO BE RELEVANT**

| Category * | Citation of document, with indication, where appropriate, of the relevant passages | Relevant to claim No. |
|------------|--|-----------------------|
| X          | US 2004/0132572 A1 (Ludwig et al) 08 July 2004 (08.07.2004)                        | 1-7 and 10-16         |
| A          | US 6,619,153 B2 (Smith et al) 16 September 2003 (16.09.2003)                       | ALL                   |
| A          | US 3,871,249 (Jeffers) 18 March 1975 (18.03.1975)                                  | ALL                   |

|   |  |
|---|--|
| <input type="checkbox"/> Further documents are listed in the continuation of Box C.   | <input type="checkbox"/> See patent family annex.  |
| * Special categories of cited documents:  |  |
| "A" document defining the general state of the art which is not considered to be of particular relevance  | "T" later document published after the international filing date or priority date and not in conflict with the application but cited to understand the principle or theory underlying the invention  |
| "E" earlier application or patent published on or after the international filing date   | "X" document of particular relevance; the claimed invention cannot be considered novel or cannot be considered to involve an inventive step when the document is taken alone   |
| "L" document which may throw doubts on priority claim(s) or which is cited to establish the publication date of another citation or other special reason (as specified) | "Y" document of particular relevance; the claimed invention cannot be considered to involve an inventive step when the document is combined with one or more other such documents, such combination being obvious to a person skilled in the art |
| "O" document referring to an oral disclosure, use, exhibition or other means  | "&" document member of the same patent family  |
| "P" document published prior to the international filing date but later than the priority date claimed  |  |

|   |  |
|---|--|
| Date of the actual completion of the international search<br>27 September 2007 (27.09.2007)   | Date of mailing of the international search report<br><b>19 NOV 2007</b>     |
| Name and mailing address of the ISA/US<br>Mail Stop PCT, Attn: ISA/US<br>Commissioner for Patents<br>P.O. Box 1450<br>Alexandria, Virginia 22313-1450<br>Facsimile No. (571) 273-3201 | Authorized officer<br>David D. Le <i>J. Le</i><br>Telephone No. 571-272-7095 |