



US00D489245S

(12) **United States Design Patent**
Brazier et al.

(10) **Patent No.:** **US D489,245 S**

(45) **Date of Patent:** **** May 4, 2004**

- (54) **SCREW GUIDE**
- (75) Inventors: **Keith Brazier**, Rayleigh (GB); **Tony Rowe**, Twickenham (GB)
- (73) Assignee: **Newell Limited** (GB)
- (**) Term: **14 Years**
- (21) Appl. No.: **29/171,208**
- (22) Filed: **Nov. 19, 2002**
- (30) **Foreign Application Priority Data**
Jun. 21, 2002 (GB) 3004711
- (51) **LOC (7) Cl.** **08-05**
- (52) **U.S. Cl.** **D8/354**
- (58) **Field of Search** D8/349, 354, 355,
D8/382, 385, 386, 388; 24/297, 305; 70/DIG. 57,
DIG. 60; 81/452, 434; 211/86.01; 411/508,
913, 970, 908, 182

5,551,817 A	*	9/1996	Kanie	411/508
5,593,262 A	*	1/1997	Gedeon et al.	411/913
5,839,332 A	*	11/1998	Fujiyama et al.	81/434
6,074,150 A	*	6/2000	Shinozaki et al.	411/913
6,095,734 A	*	8/2000	Postadan et al.	411/182
6,244,805 B1	*	6/2001	Everard	411/508

* cited by examiner

Primary Examiner—Robert M. Spear

Assistant Examiner—Elizabeth A. Albert

(74) *Attorney, Agent, or Firm*—Carmody & Torrance LLP

(57) **CLAIM**

The ornamental design for a screw guide, as shown and described.

DESCRIPTION

FIG. 1 is a perspective view of the screw guide from the front and one side;

FIG. 2 is a plan view from above;

FIG. 3 is a front view, the rear side view being a mirror image thereof; and,

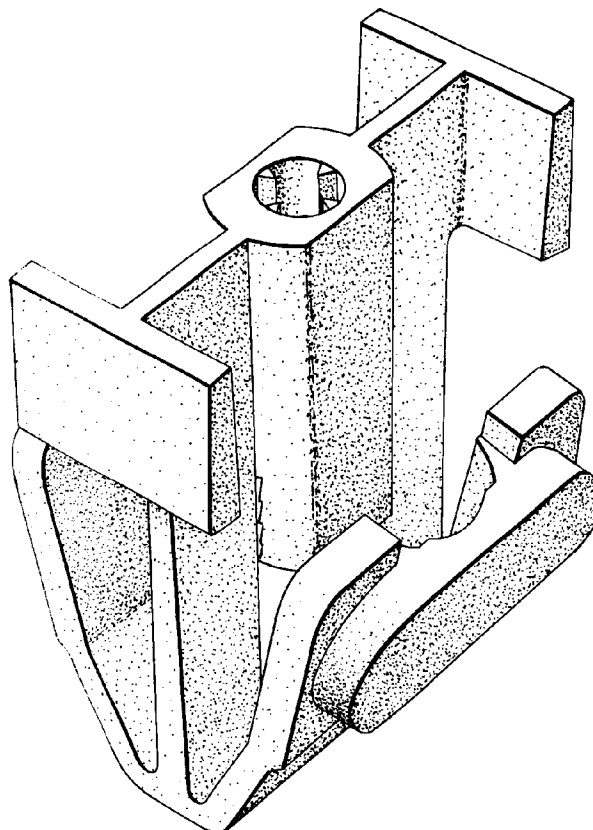
FIG. 4 is a side view, the opposite side view being a mirror image thereof.

The speckled dots are for purposes of shading and form no part of the claimed invention.

(56) **References Cited**
U.S. PATENT DOCUMENTS

3,574,899 A	*	4/1971	Fisher	411/913
4,595,325 A	*	6/1986	Moran et al.	411/970
D290,928 S	*	7/1987	Strandengen	D8/354
D319,173 S	*	8/1991	Morita	D8/354

1 Claim, 2 Drawing Sheets



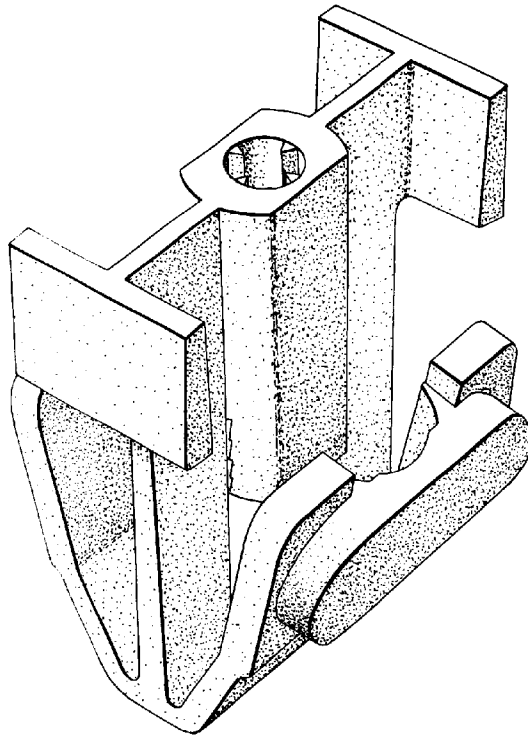


Fig. 1.

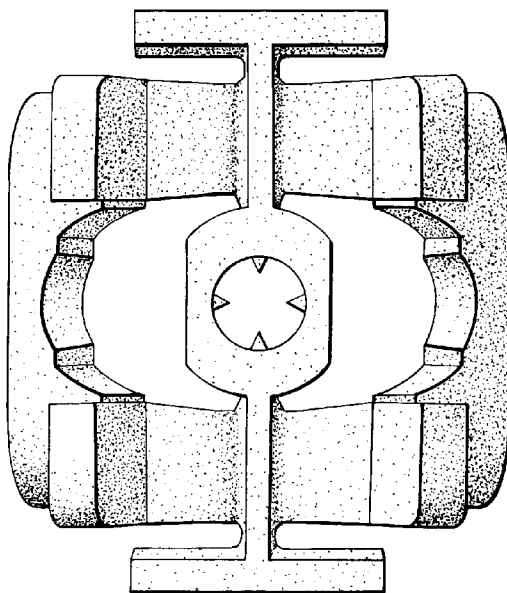


Fig. 2.

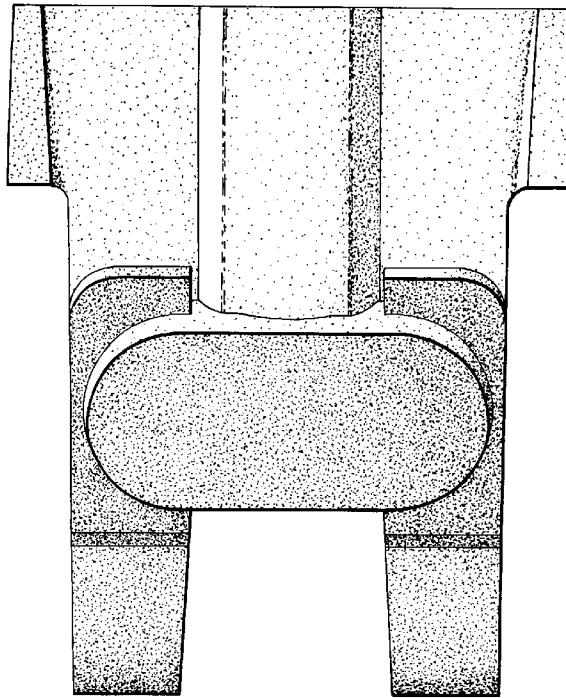


Fig.3.

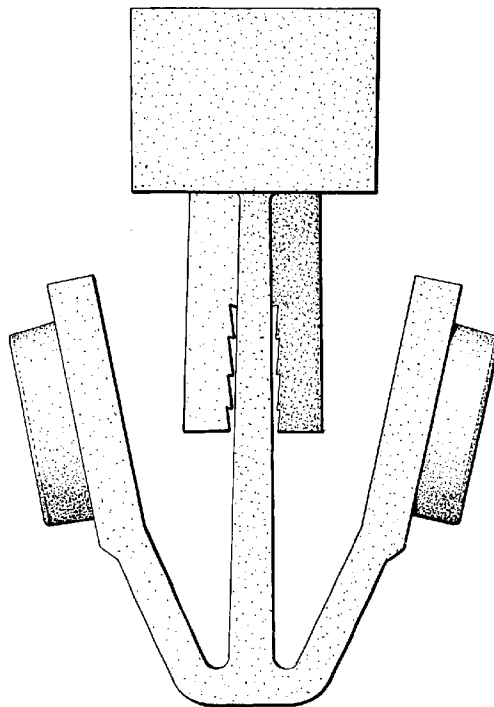


Fig.4.