



US00D679271S

(12) **United States Design Patent**  
**Liu**

(10) **Patent No.:** **US D679,271 S**

(45) **Date of Patent:** **\*\* Apr. 2, 2013**

(54) **SMART PHONE EXTENDED COVER WITH STAND**

(75) Inventor: **Seung Chu Liu**, Kowloon (HK)

(73) Assignee: **Fattafa Limited**, Hong Kong (HK)

(\*\*) Term: **14 Years**

(21) Appl. No.: **29/419,184**

(22) Filed: **Apr. 25, 2012**

(51) **LOC (9) Cl.** ..... **14-03**

(52) **U.S. Cl.** ..... **D14/250; D13/103**

(58) **Field of Classification Search** ..... D14/250-253,  
D14/440, 203.3-203.7, 217, 496, 248, 238.1,  
D14/240, 447; D3/201, 218, 269, 301, 273,  
D3/303, 103, 247; D13/103, 107-108, 119;  
220/4.02; 248/309.1, 371, 176.3, 668; 361/679.56,  
361/679.3, 679.25, 816; 379/426, 433.11,  
379/455; 455/575.1, 575.8; 206/305, 320;  
D6/300, 310, 311, 312; 345/173

See application file for complete search history.

(56) **References Cited**

**U.S. PATENT DOCUMENTS**

4,113,212	A	*	9/1978	Coriden	248/455
4,940,204	A	*	7/1990	Nelson et al.	248/688
D386,302	S	*	11/1997	Taylor	D3/247
D413,857	S	*	9/1999	Peterzell et al.	D13/103
6,003,831	A	*	12/1999	Coleman	248/688
D438,525	S	*	3/2001	Katayama	D14/203.7
6,508,451	B1	*	1/2003	Blythe et al.	248/688
D507,277	S	*	7/2005	Sitoh	D14/203.7
D559,230	S	*	1/2008	Griffin et al.	D14/217
7,318,521	B2	*	1/2008	Lau	206/45.24
D561,198	S	*	2/2008	Zhang	D14/496
D583,572	S	*	12/2008	Zhai et al.	D6/308
D603,603	S	*	11/2009	Laine et al.	D3/218
D624,908	S	*	10/2010	Huskinson	D14/250
D635,555	S	*	4/2011	Giles	D14/217
8,016,107	B2	*	9/2011	Emsky	206/320
D653,202	S	*	1/2012	Hasbrook et al.	D13/103
D663,263	S	*	7/2012	Gupta et al.	D13/103

D663,294	S	*	7/2012	Buxton	D14/250
D664,091	S	*	7/2012	Pliner et al.	D13/108
D665,347	S	*	8/2012	Chen	D13/108
D665,735	S	*	8/2012	Kang et al.	D13/108
8,297,440	B2	*	10/2012	Schmidt et al.	206/320

**OTHER PUBLICATIONS**

HTC HD2 Extended Battery, <URL:http://www.itechnews.net/2010/01/28/htc-hd2-extended-battery/>, retrieved from internet on Nov. 13, 2012.\*

Galaxy Note 5400mAh extended battery, posted on May 10, 2012, <URL:http://androidheadlines.com/2012/05/galaxy-note-5400mah-extended-battery-makes-it-even-more-massive.html>, retrieved from internet on Nov. 13, 2012.\*

\* cited by examiner

*Primary Examiner* — Carla Jobe Wright

(74) *Attorney, Agent, or Firm* — Gloria Tsui-Yip, Esq.

(57) **CLAIM**

The ornamental design for a smart phone extended cover with stand, as shown and described.

**DESCRIPTION**

FIG. 1 is a front view of the smart phone extended cover with stand showing my new design;

FIG. 2 is a side view thereof;

FIG. 3 is an opposite side view thereof;

FIG. 4 is a bottom view thereof;

FIG. 5 is a top view thereof;

FIG. 6 is a top view thereof showing the stand in an open position;

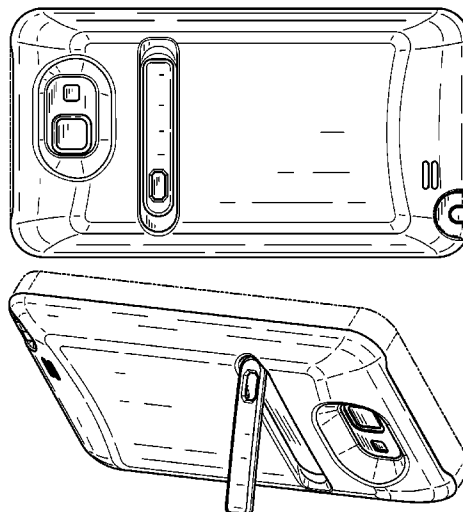
FIG. 7 is a perspective view thereof;

FIG. 8 is an alternative perspective view; and,

FIG. 9 is an alternative perspective view with the stand in an open position.

The broken line showing of a smart phone in FIGS. 1-9 illustrates environmental matter which forms no part of the claimed design.

**1 Claim, 4 Drawing Sheets**



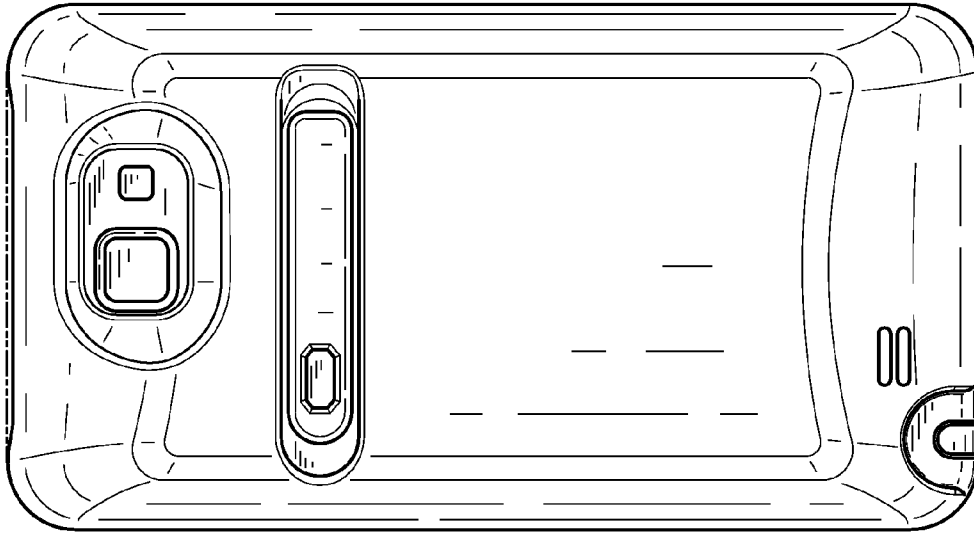


Fig.1

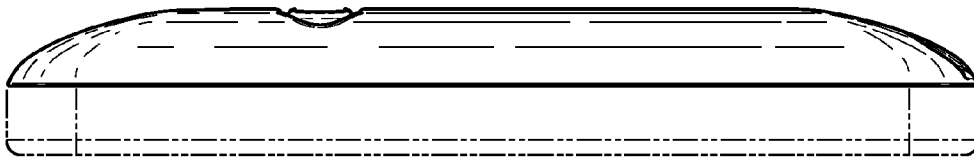


Fig.2

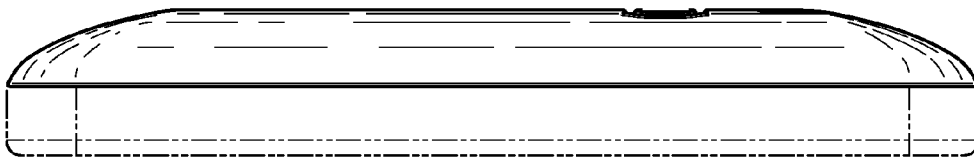


Fig.3

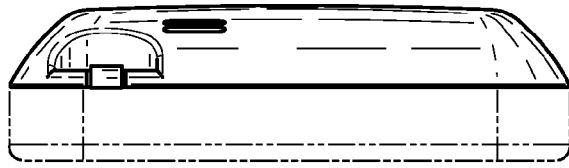


Fig.4

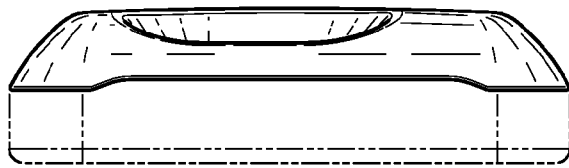


Fig.5

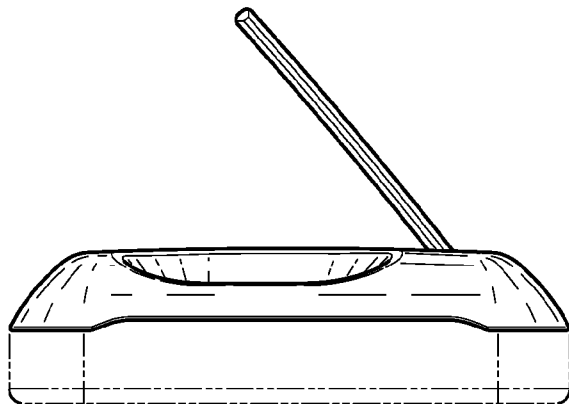


Fig.6

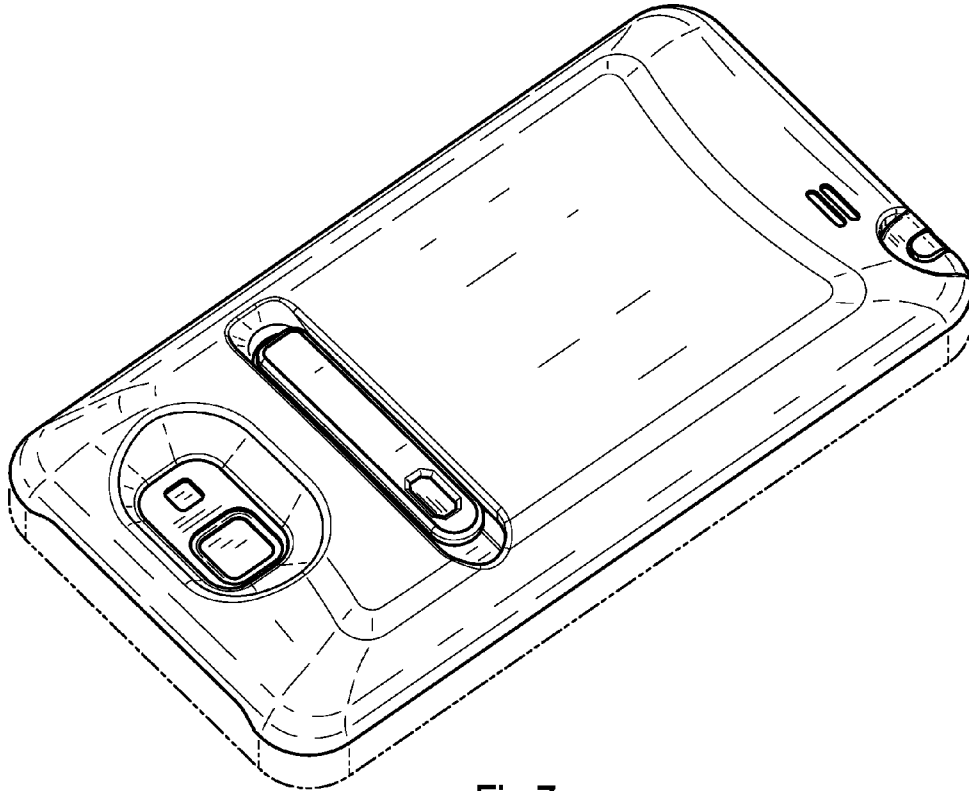


Fig.7

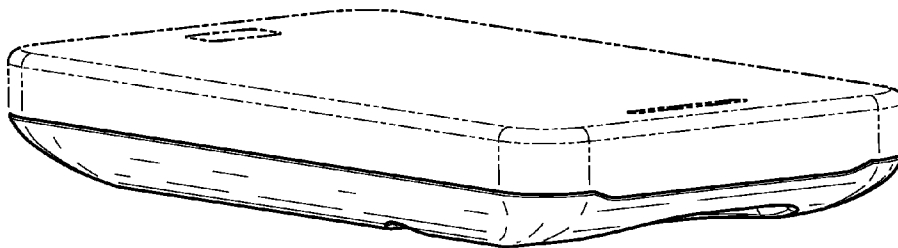


Fig.8

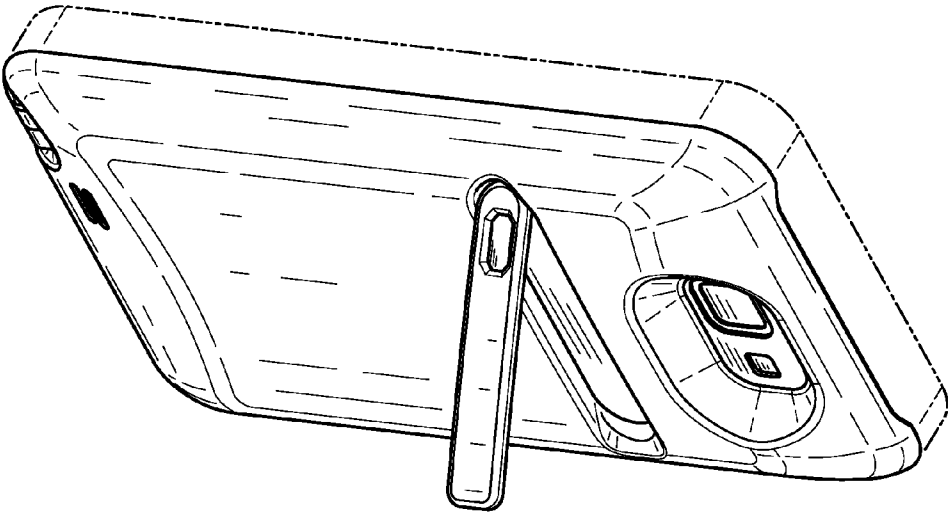


Fig.9