

(19) World Intellectual Property Organization  
International Bureau



(43) International Publication Date  
9 July 2009 (09.07.2009)

PCT

(10) International Publication Number  
**WO 2009/086238 A3**

- (51) **International Patent Classification:**  
*H01L 31/02* (2006.01) *H01L 31/048* (2006.01)
- (21) **International Application Number:**  
PCT/US2008/087888
- (22) **International Filing Date:**  
22 December 2008 (22.12.2008)
- (25) **Filing Language:** English
- (26) **Publication Language:** English
- (30) **Priority Data:**  
61/015,829 21 December 2007 (21.12.2007) US  
61/104,831 13 October 2008 (13.10.2008) US
- (71) **Applicant (for all designated States except US):** E. I. DU PONT DE NEMOURS AND COMPANY [US/US]; 1007 Market Street, Wilmington, DE 19898 (US).
- (72) **Inventors; and**
- (75) **Inventors/Applicants (for US only):** KINARD, Richard, Dale [US/US]; 2418 Donlon Road, Wilmington, DE 19803 (US). MC QUADE, Michael, Robert [US/US]; 3 Hampton Way, Greenville, DE 19807 (US).
- (74) **Agent:** SANTOPIETRO, Lois, A.; E. I. du Pont de Nemours and Company, Legal Patent Records Center, 1007 Market Street, Wilmington, DE 19898 (US).
- (81) **Designated States (unless otherwise indicated, for every kind of national protection available):** AE, AG, AL, AM,

AO, AT, AU, AZ, BA, BB, BG, BH, BR, BW, BY, BZ, CA, CH, CN, CO, CR, CU, CZ, DE, DK, DM, DO, DZ, EC, EE, EG, ES, FI, GB, GD, GE, GH, GM, GT, HN, HR, HU, ID, IL, IN, IS, JP, KE, KG, KM, KN, KP, KR, KZ, LA, LC, LK, LR, LS, LT, LU, LY, MA, MD, ME, MG, MK, MN, MW, MX, MY, MZ, NA, NG, NI, NO, NZ, OM, PG, PH, PL, PT, RO, RS, RU, SC, SD, SE, SG, SK, SL, SM, ST, SV, SY, TJ, TM, TN, TR, TT, TZ, UA, UG, US, UZ, VC, VN, ZA, ZM, ZW.

(84) **Designated States (unless otherwise indicated, for every kind of regional protection available):** ARIPO (BW, GH, GM, KE, LS, MW, MZ, NA, SD, SL, SZ, TZ, UG, ZM, ZW), Eurasian (AM, AZ, BY, KG, KZ, MD, RU, TJ, TM), European (AT, BE, BG, CH, CY, CZ, DE, DK, EE, ES, FI, FR, GB, GR, HR, HU, IE, IS, IT, LT, LU, LV, MC, MT, NL, NO, PL, PT, RO, SE, SI, SK, TR), OAPI (BF, BJ, CF, CG, CI, CM, GA, GN, GQ, GW, ML, MR, NE, SN, TD, TG).

**Published:**

- with international search report (Art. 21(3))
- before the expiration of the time limit for amending the claims and to be republished in the event of receipt of amendments (Rule 48.2(h))

(88) **Date of publication of the international search report:**  
9 December 2010

(54) **Title:** PHOTOVOLTAIC ARRAY AND INSTALLATION METHOD

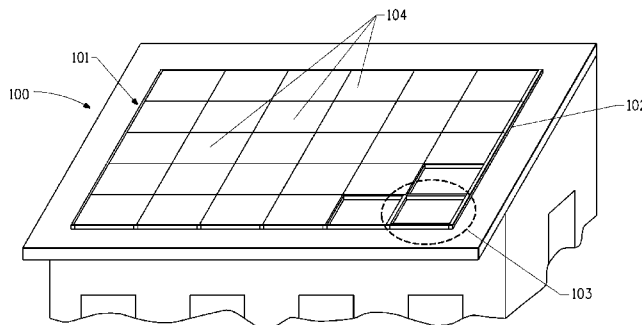


FIG. 1A

(57) **Abstract:** A photovoltaic array having a plurality of photovoltaic modules having first structural members. The photovoltaic modules are disposed upon and connected to a plurality of framework elements. The framework elements being interconnected to form a framework. The framework elements have electrically non-conductive second structural members with internally disposed electrical conductors. Electrical and mechanical connections to the photovoltaic module disposed upon the framework element and electrical connections among framework elements are internal to the framework elements. The output voltage of the photovoltaic array can be electrically referenced to an arbitrary voltage.



WO 2009/086238 A3

## INTERNATIONAL SEARCH REPORT

International application No

PCT/US2008/087888

A. CLASSIFICATION OF SUBJECT MATTER  
 INV. H01L31/02 H01L31/048  
 ADD.

According to International Patent Classification (IPC) or to both national classification and IPC

## B. FIELDS SEARCHED

Minimum documentation searched (classification system followed by classification symbols)  
 H01L

Documentation searched other than minimum documentation to the extent that such documents are included in the fields searched

Electronic data base consulted during the international search (name of data base and, where practical, search terms used)

EPO-Internal

## C. DOCUMENTS CONSIDERED TO BE RELEVANT

Category*	Citation of document, with indication, where appropriate, of the relevant passages	Relevant to claim No.
X	WO 2007/045695 A1 (SYSTAIC DEUTSCHLAND GMBH [DE]; KAMP MICHAEL VIKTOR [DE]; REWIG THOMAS) 26 April 2007 (2007-04-26) page 10, paragraph 4 - paragraph 5 page 12, paragraph 2 - page 13, paragraph 1 page 16, paragraph 2 - page 17, paragraph 2 page 19, paragraph 3 - page 21, paragraph 3	1-25
X	JP 11 022127 A (SEKISUI CHEMICAL CO LTD) 26 January 1999 (1999-01-26) paragraphs [0004], [0005], [0025] - [0027], [0031], [0034] - [0037]; figures 1-3,5-8 ----- -/--	1,4-6,9, 12-14

Further documents are listed in the continuation of Box C.

See patent family annex.

\* Special categories of cited documents:

- "A" document defining the general state of the art which is not considered to be of particular relevance  
 "E" earlier document but published on or after the international filing date  
 "L" document which may throw doubts on priority claim(s) or which is cited to establish the publication date of another citation or other special reason (as specified)  
 "O" document referring to an oral disclosure, use, exhibition or other means  
 "P" document published prior to the international filing date but later than the priority date claimed

"T" later document published after the international filing date or priority date and not in conflict with the application but cited to understand the principle or theory underlying the invention

"X" document of particular relevance; the claimed invention cannot be considered novel or cannot be considered to involve an inventive step when the document is taken alone

"Y" document of particular relevance; the claimed invention cannot be considered to involve an inventive step when the document is combined with one or more other such documents, such combination being obvious to a person skilled in the art.

"&" document member of the same patent family

Date of the actual completion of the international search

15 October 2010

Date of mailing of the international search report

21/10/2010

Name and mailing address of the ISA/

European Patent Office, P.B. 5818 Patentlaan 2  
 NL - 2280 HV Rijswijk  
 Tel. (+31-70) 340-2040,  
 Fax: (+31-70) 340-3016

Authorized officer

Ferro Pozo, José

## INTERNATIONAL SEARCH REPORT

International application No

PCT/US2008/087888

## C(Continuation). DOCUMENTS CONSIDERED TO BE RELEVANT

Category*	Citation of document, with indication, where appropriate, of the relevant passages	Relevant to claim No.
A	WO 00/12839 A1 (PACIFIC SOLAR PTY LTD [AU]; BRAGAGNOLO JULIO [AU]; WOOD NOEL SYDNEY DA) 9 March 2000 (2000-03-09) page 1, line 30 - page 4, line 26 page 5, line 25 - page 6, line 2 page 7, line 3 - page 9, line 2; figures .. 1,6-8	1,2,5,7, 9,10,13, 15,18,24
A	----- WO 2004/017424 A2 (W B T S A WORLD BUSINESS TECHN [LU]; HAHN UWE [LU]; HUMMES DETLEF [DE]) 26 February 2004 (2004-02-26) * abstract page 7, line 31 - page 8, line 6 page 8, line 18 - page 9, line 28 page 10, line 23 - page 11, line 9; figures 1-3,6,7 -----	1,4-6,9, 12-14, 18,21-23

## INTERNATIONAL SEARCH REPORT

Information on patent family members

International application No

PCT/US2008/087888

Patent document cited in search report	Publication date	Patent family member(s)	Publication date
WO 2007045695	A1	26-04-2007	AT 426249 T 15-04-2009
			AU 2006303235 A1 26-04-2007
			CA 2626501 A1 26-04-2007
			EP 1941550 A1 09-07-2008
			EP 2056358 A1 06-05-2009
			JP 2009513008 T 26-03-2009
			KR 20080078807 A 28-08-2008
			US 2008257402 A1 23-10-2008
JP 11022127	A	26-01-1999	NONE
WO 0012839	A1	09-03-2000	EP 1112423 A1 04-07-2001
			JP 2002523659 T 30-07-2002
WO 2004017424	A2	26-02-2004	AU 2003285631 A1 03-03-2004