



- (51) **International Patent Classification:**
E05C 3/24 (2006.01) *A47L 15/42* (2006.01)
- (21) **International Application Number:**
PCT/US2013/021673
- (22) **International Filing Date:**
16 January 2013 (16.01.2013)
- (25) **Filing Language:** English
- (26) **Publication Language:** English
- (30) **Priority Data:**
2012100159502 18 January 2012 (18.01.2012) CN
- (71) **Applicant: ILLINOIS TOOL WORKS INC.** [US/US];
3600 West Lake Avenue, Glenview, Illinois 60026 (US).
- (72) **Inventor: WANG, Yang;** Nanmian Industrial Park, Hu-
men Town, Dongguan City, Guangdong 523910 (CN).
- (74) **Agent: HAUPTMAN, Benjamin J.;** Lowe Hauptman
Ham & Berner, LLP, 1700 Diagonal Road, Suite 300, Al-
exandria, Virginia 22314 (US).
- (81) **Designated States** (unless otherwise indicated, for every
kind of national protection available): AE, AG, AL, AM,
AO, AT, AU, AZ, BA, BB, BG, BH, BN, BR, BW, BY,
BZ, CA, CH, CL, CN, CO, CR, CU, CZ, DE, DK, DM,
DO, DZ, EC, EE, EG, ES, FI, GB, GD, GE, GH, GM, GT,
HN, HR, HU, ID, IL, IN, IS, JP, KE, KG, KM, KN, KP,
KR, KZ, LA, LC, LK, LR, LS, LT, LU, LY, MA, MD,

ME, MG, MK, MN, MW, MX, MY, MZ, NA, NG, NI,
NO, NZ, OM, PA, PE, PG, PH, PL, PT, QA, RO, RS, RU,
RW, SC, SD, SE, SG, SK, SL, SM, ST, SV, SY, TH, TJ,
TM, TN, TR, TT, TZ, UA, UG, US, UZ, VC, VN, ZA,
ZM, ZW.

- (84) **Designated States** (unless otherwise indicated, for every
kind of regional protection available): ARIPO (BW, GH,
GM, KE, LR, LS, MW, MZ, NA, RW, SD, SL, SZ, TZ,
UG, ZM, ZW), Eurasian (AM, AZ, BY, KG, KZ, RU, TJ,
TM), European (AL, AT, BE, BG, CH, CY, CZ, DE, DK,
EE, ES, FI, FR, GB, GR, HR, HU, IE, IS, IT, LT, LU, LV,
MC, MK, MT, NL, NO, PL, PT, RO, RS, SE, SI, SK, SM,
TR), OAPI (BF, BJ, CF, CG, CI, CM, GA, GN, GQ, GW,
ML, MR, NE, SN, TD, TG).

Declarations under Rule 4.17:

- as to applicant's entitlement to apply for and be granted a
patent (Rule 4.17(ii))

Published:

- with international search report (Art. 21(3))
— before the expiration of the time limit for amending the
claims and to be republished in the event of receipt of
amendments (Rule 48.2(h))

(88) **Date of publication of the international search report:**

17 October 2013

(54) **Title:** LOCK DEVICE AND APPARATUS MOUNTED WITH THE SAME

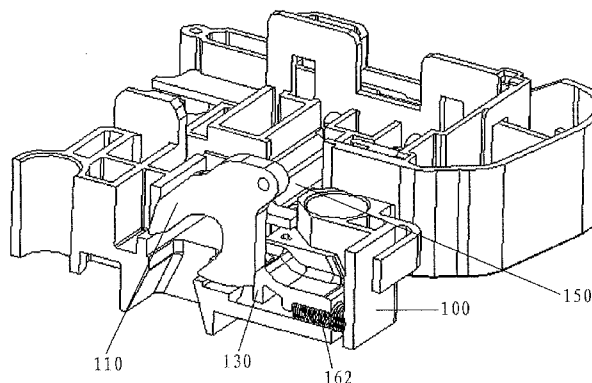


FIG. 4b

(57) **Abstract:** The present invention relates to a lock device, comprising a housing including a lock hook (110) mounted in the housing, the lock hook (110) pivotally moves to and away from a lock hook locked position; a locking slider (130) for locking the lock hook (110), the locking slider (130) having a locking slider first end (131a) which abuts against an axial surface (111) of the lock hook, the locking slider is reciprocatingly slideable in a first direction parallel to the lock hook pivoting plane following pivoting of the lock hook to move to or away from a locking slider locked position; a slider locking device (150) for locking the locking slider (130), the slider locking device (150) is reciprocatingly slideable in a second direction following the reciprocatingly sliding of the locking slider (130) in the first direction, the second direction crosses the lock hook pivoting plane. The present invention further relates to an apparatus mounted with said lock device.



INTERNATIONAL SEARCH REPORT

International application No

PCT/US2013/021673

A. CLASSIFICATION OF SUBJECT MATTER
 INV. E05C3/24 A47L15/42
 ADD.

According to International Patent Classification (IPC) or to both national classification and IPC

B. FIELDS SEARCHED

Minimum documentation searched (classification system followed by classification symbols)
 E05C A47L

Documentation searched other than minimum documentation to the extent that such documents are included in the fields searched

Electronic data base consulted during the international search (name of data base and, where practicable, search terms used)

EPO-Internal

C. DOCUMENTS CONSIDERED TO BE RELEVANT

Category*	Citation of document, with indication, where appropriate, of the relevant passages	Relevant to claim No.
A	EP 1 469 147 A2 (BITRON SPA [IT]) 20 October 2004 (2004-10-20) the whole document -----	1
A	EP 2 087 829 A1 (BITRON SPA [IT]) 12 August 2009 (2009-08-12) the whole document -----	1
A	WO 2011/132213 A1 (ELETTROTECNICA ROLD S R L [IT]; ROCCHITELLI ONOFRIO [IT]) 27 October 2011 (2011-10-27) the whole document -----	1



Further documents are listed in the continuation of Box C.



See patent family annex.

* Special categories of cited documents :

"A" document defining the general state of the art which is not considered to be of particular relevance

"E" earlier application or patent but published on or after the international filing date

"L" document which may throw doubts on priority claim(s) or which is cited to establish the publication date of another citation or other special reason (as specified)

"O" document referring to an oral disclosure, use, exhibition or other means

"P" document published prior to the international filing date but later than the priority date claimed

"T" later document published after the international filing date or priority date and not in conflict with the application but cited to understand the principle or theory underlying the invention

"X" document of particular relevance; the claimed invention cannot be considered novel or cannot be considered to involve an inventive step when the document is taken alone

"Y" document of particular relevance; the claimed invention cannot be considered to involve an inventive step when the document is combined with one or more other such documents, such combination being obvious to a person skilled in the art

"&" document member of the same patent family

Date of the actual completion of the international search

29 August 2013

Date of mailing of the international search report

04/09/2013

Name and mailing address of the ISA/

European Patent Office, P.B. 5818 Patentlaan 2
 NL - 2280 HV Rijswijk
 Tel. (+31-70) 340-2040,
 Fax: (+31-70) 340-3016

Authorized officer

Geerts, Arnold

INTERNATIONAL SEARCH REPORT

Information on patent family members

International application No

PCT/US2013/021673

Patent document cited in search report	Publication date	Patent family member(s)	Publication date
EP 1469147	A2	20-10-2004	EP 1469147 A2
			ES 2348791 T3
			20-10-2004
			14-12-2010

EP 2087829	A1	12-08-2009	NONE

WO 2011132213	A1	27-10-2011	CN 102859102 A
			EP 2561168 A1
			US 2013127181 A1
			WO 2011132213 A1
			02-01-2013
			27-02-2013
			23-05-2013
			27-10-2011
