



US00D749181S

(12) **United States Design Patent**
Hu

(10) **Patent No.:** **US D749,181 S**

(45) **Date of Patent:** **** Feb. 9, 2016**

(54) **GUN BODY**

(71) Applicant: **Shih-Che Hu**, Tainan (TW)

(72) Inventor: **Shih-Che Hu**, Tainan (TW)

(**) Term: **14 Years**

(21) Appl. No.: **29/502,615**

(22) Filed: **Sep. 18, 2014**

(51) **LOC (10) Cl.** **22-01**

(52) **U.S. Cl.**
USPC **D22/103**

(58) **Field of Classification Search**
USPC D22/103, 108; D21/572-575
CPC F41A 5/18; F41A 5/24; F41A 21/28;
F41C 23/00; F41C 27/00; F41C 27/06
See application file for complete search history.

(56) **References Cited**

U.S. PATENT DOCUMENTS

4,856,410	A *	8/1989	Anderson	F41A 3/76 89/155
D611,111	S *	3/2010	Hajjar	D22/103
D693,420	S *	11/2013	Abbott	D22/103
D702,797	S *	4/2014	Donnelly	D22/108
8,931,393	B1 *	1/2015	Vincent	F41A 17/46 42/70.06
D723,128	S *	2/2015	Hu	D22/103
9,021,935	B1 *	5/2015	Kellgren	F41A 15/12 89/193

D736,337	S *	8/2015	Kielsmeier	D22/108
2011/0209607	A1 *	9/2011	St. George	F41A 3/26 89/191.01
2015/0107143	A1 *	4/2015	Coetzee	F41G 11/003 42/14

* cited by examiner

Primary Examiner — Michael A Pratt

(74) *Attorney, Agent, or Firm* — Raymond Y. Chan; David and Raymond Patent Firm

(57) **CLAIM**

The ornamental design for a gun body, as shown and described.

DESCRIPTION

FIG. 1 is a perspective view of gun body showing my new design.

FIG. 2 is a left view thereof.

FIG. 3 is a right view thereof.

FIG. 4 is a front view thereof.

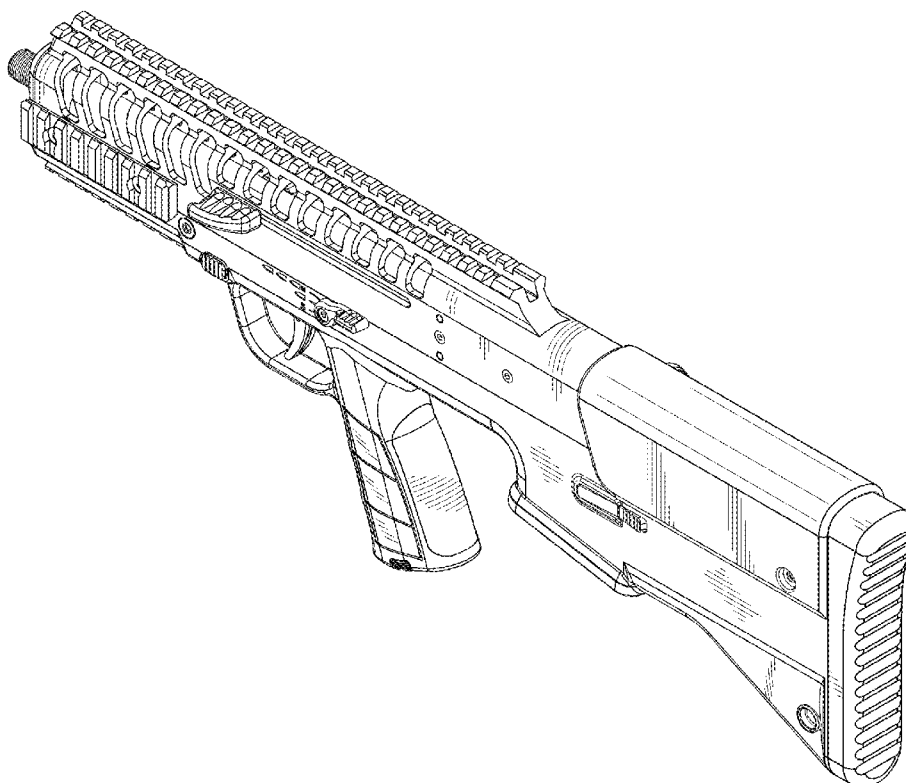
FIG. 5 is a rear view thereof.

FIG. 6 is a top view thereof.

FIG. 7 is a bottom view thereof; and,

FIG. 8 is a referential operational and referential left side view of the gun body with a front sight, a rear sight, a magazine and a support grip, wherein the broken lines in the drawing is for illustrative purpose only and shows the portion that forms no part of the design to be claimed.

1 Claim, 6 Drawing Sheets



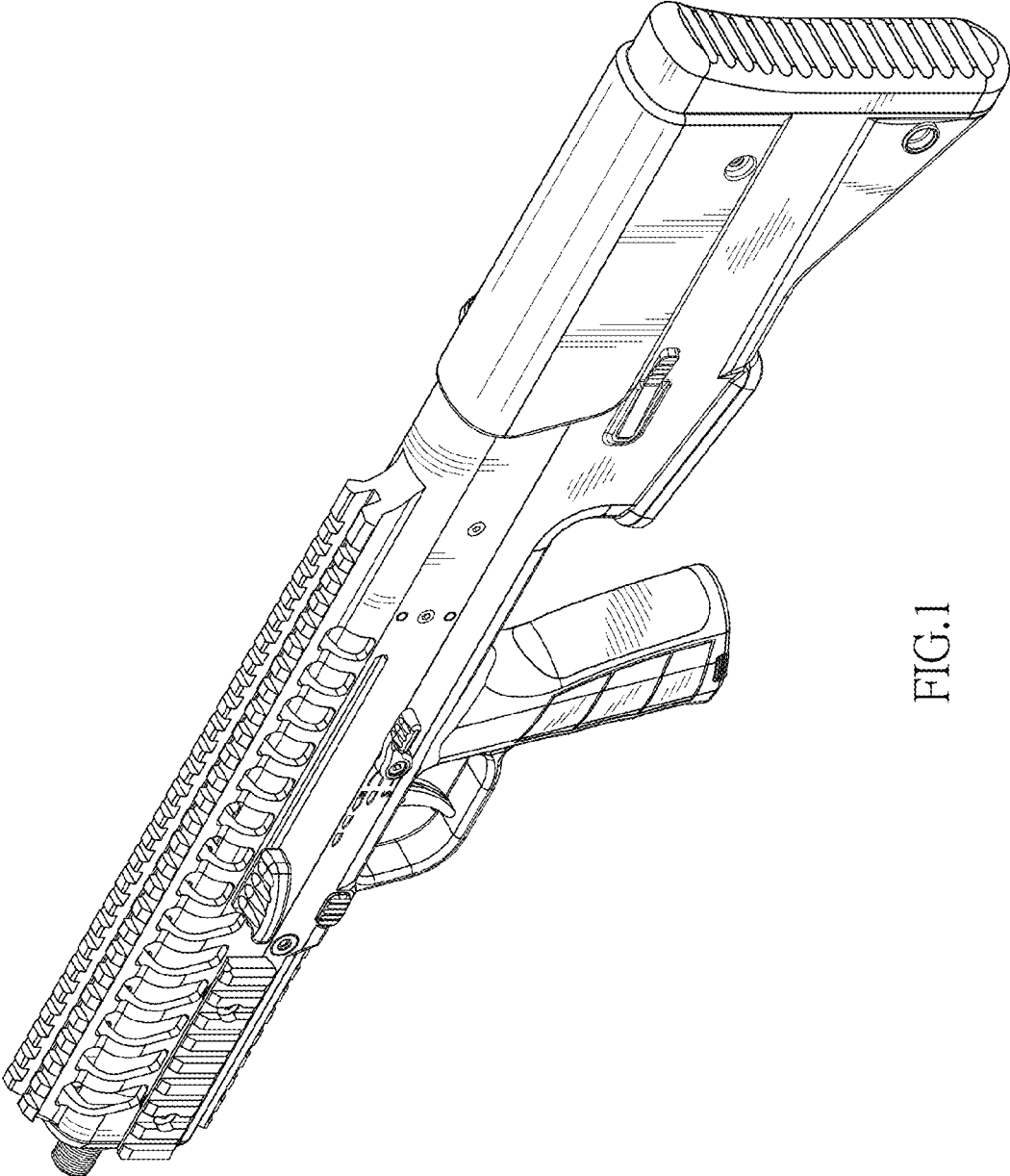


FIG.1

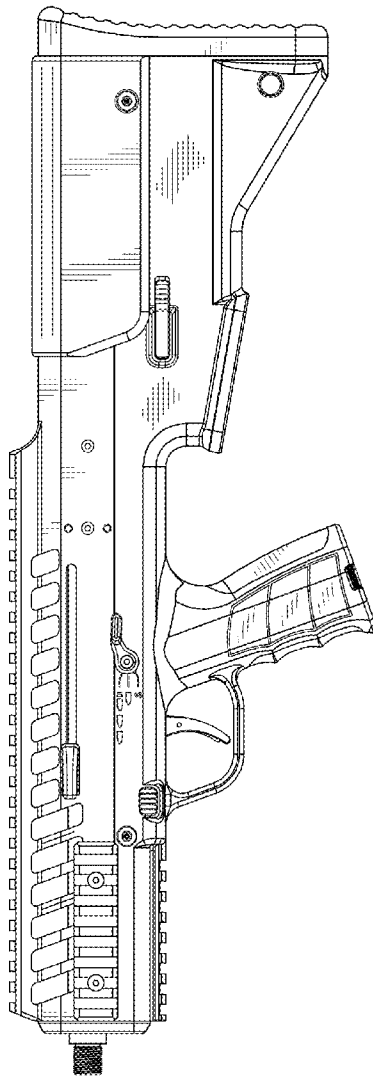


FIG.2

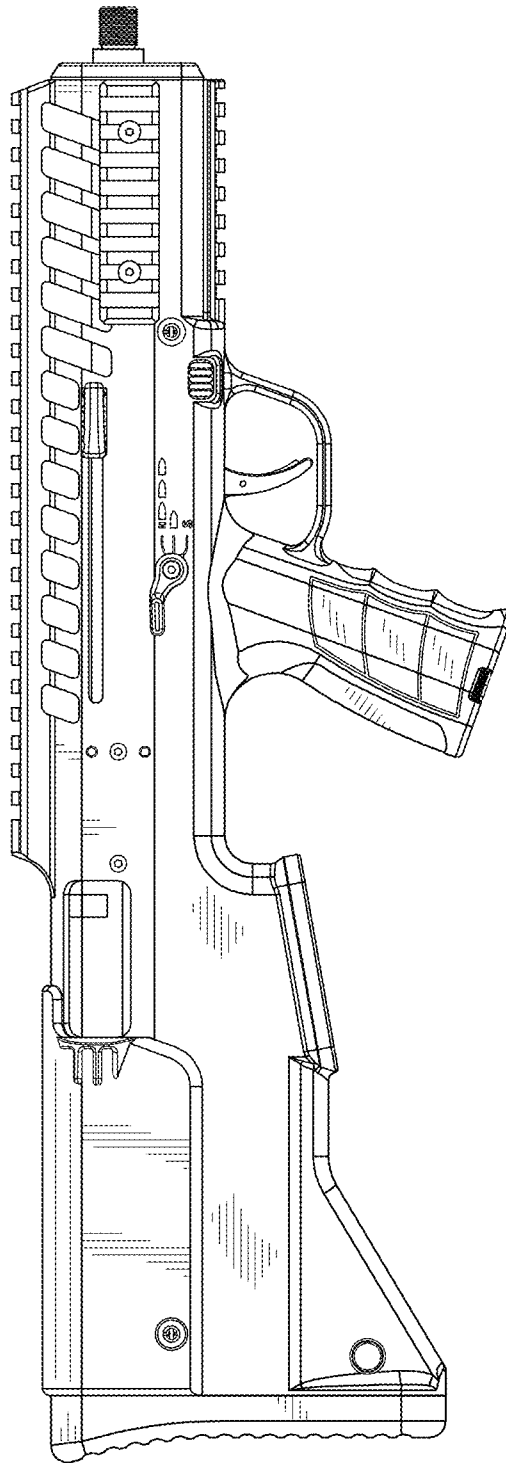


FIG.3

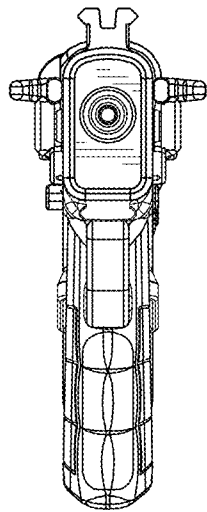


FIG.4

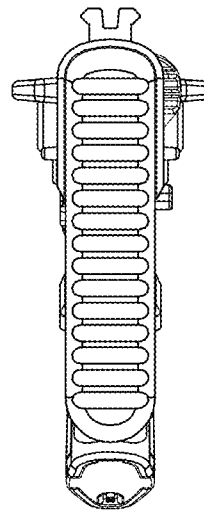


FIG.5

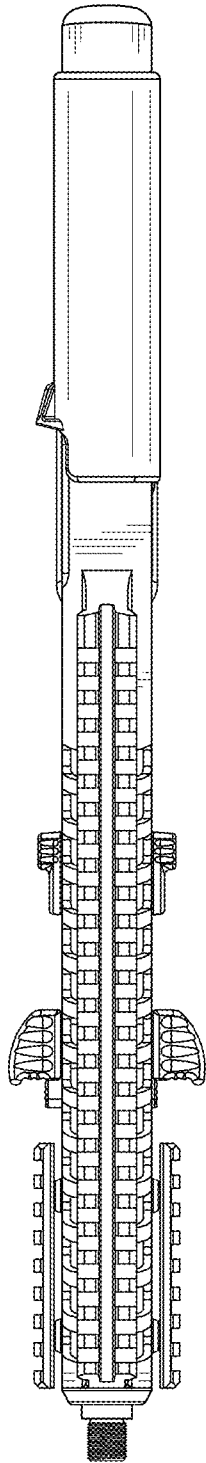


FIG. 6

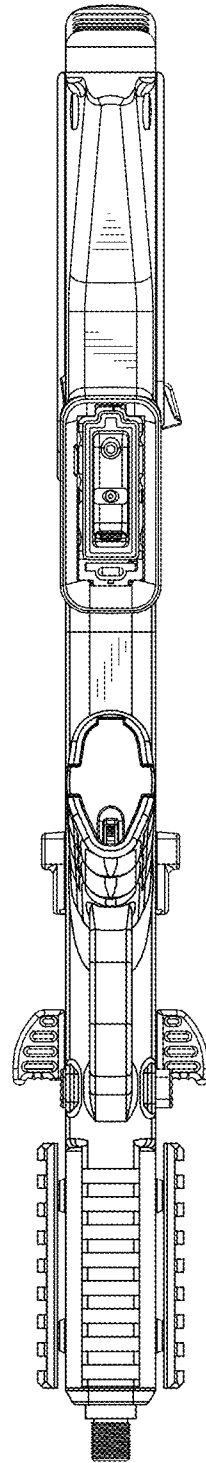


FIG. 7

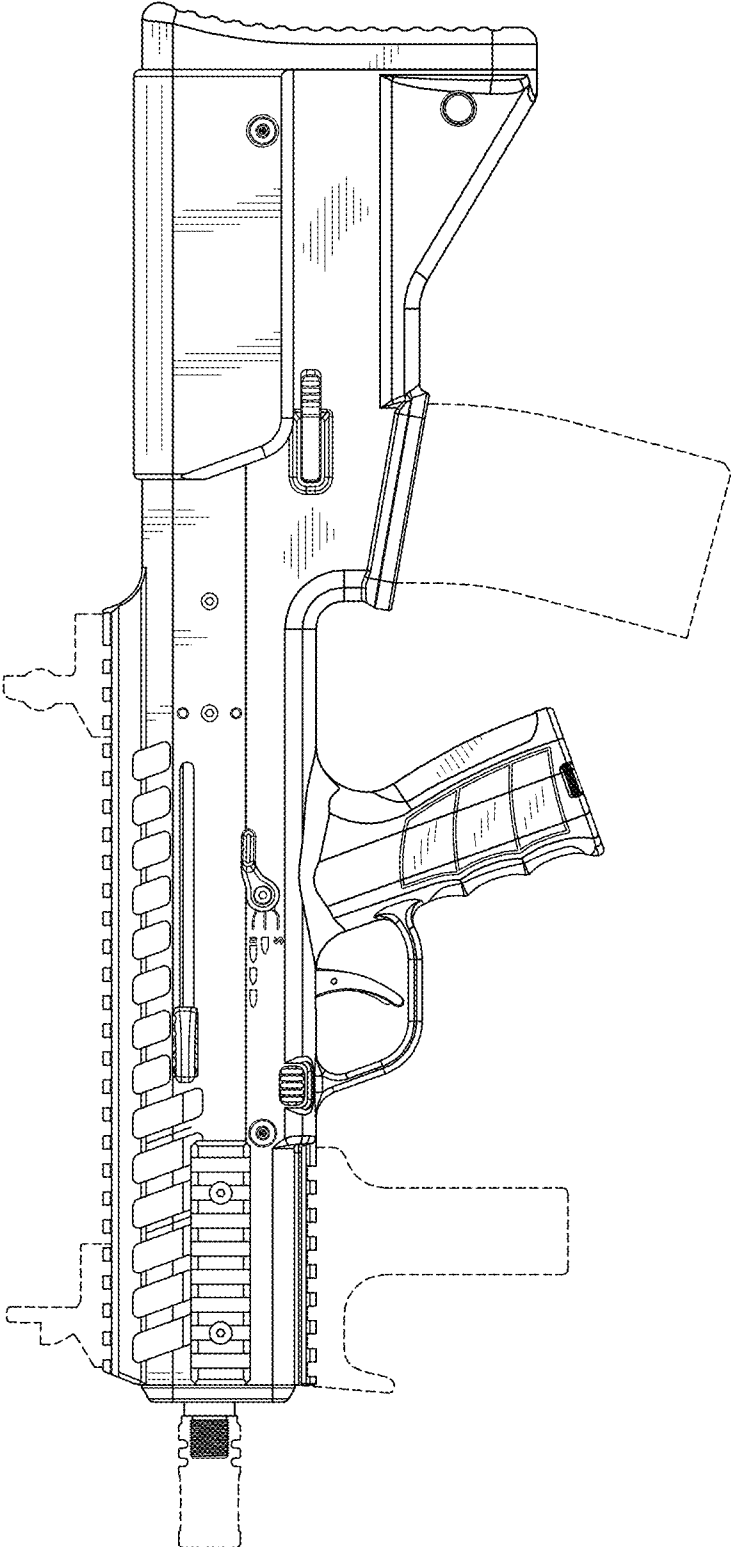


FIG. 8