



US00D810233S

(12) **United States Design Patent**
Winter et al.

(10) **Patent No.:** **US D810,233 S**

(45) **Date of Patent:** **** Feb. 13, 2018**

(54) **SHOWER WAND AND ADJUSTABLE MOUNT**

(71) Applicant: **Nebia Inc.**, San Francisco, CA (US)

(72) Inventors: **Philip Winter**, San Francisco, CA (US); **Carlos Gomez Andonaegui**, San Francisco, CA (US); **Gabriel Parisi-Amon**, San Francisco, CA (US); **Corey Murphey**, San Francisco, CA (US); **David Shulman**, San Francisco, CA (US); **Emilio Gomez**, San Francisco, CA (US); **Bret Recor**, San Francisco, CA (US); **Seth Murray**, San Francisco, CA (US); **Merric French**, San Francisco, CA (US); **Scott Steber**, San Francisco, CA (US); **Ace Shelandier**, San Francisco, CA (US); **Yoav Ben-Haim**, San Francisco, CA (US); **Diane Lee**, San Francisco, CA (US); **Andrew Windler**, San Francisco, CA (US); **Philippe Manoux**, San Francisco, CA (US)

(73) Assignee: **Nebia, Inc.**, San Francisco, CA (US)

(**) Term: **15 Years**

(21) Appl. No.: **29/573,933**

(22) Filed: **Aug. 10, 2016**

(51) **LOC (11) Cl.** **23-01**

(52) **U.S. Cl.**
USPC **D23/213; D23/228**

(58) **Field of Classification Search**
USPC D23/213, 223, 226, 228, 229, 230, 304,
D23/532; 239/436, 447, 587.1
(Continued)

(56) **References Cited**

U.S. PATENT DOCUMENTS

D313,267 S * 12/1990 Lenci D23/213
D357,972 S * 5/1995 Huen D23/223
(Continued)

Primary Examiner — Robin V Webster
(74) *Attorney, Agent, or Firm* — Run8 Patent Group, LLC; Peter Miller

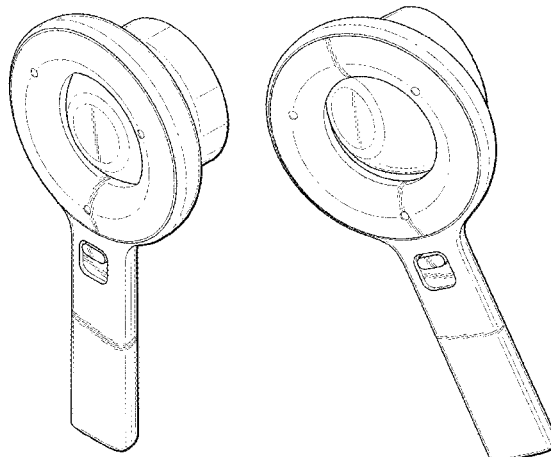
(57) **CLAIM**

We claim the ornamental design for a shower wand and adjustable mount, as shown and described.

DESCRIPTION

FIG. 1 is a front view of a shower wand and adjustable mount in a straight position.
FIG. 2 is a rear view of the shower wand and adjustable mount in the straight position.
FIG. 3 is a bottom view of the shower wand and adjustable mount in the straight position.
FIG. 4 is a top view of the shower wand and adjustable mount in the straight position.
FIG. 5 is a right side view of the shower wand and adjustable mount in the straight position.
FIG. 6 is an upper-right-front perspective view of the shower wand and adjustable mount in the straight position.
FIG. 7 is a right side view of the top portion in angled position.
FIG. 8 is an upper-right-front perspective view of the shower wand and adjustable mount in the angled and rotated position.
FIG. 9 is a front view of the shower wand removed from the adjustable mount.
FIG. 10 is a rear view of the shower wand removed from the adjustable mount.
FIG. 11 is a right side view of the shower wand removed from the adjustable mount.
FIG. 12 is an upper-right-front perspective view of the shower wand removed from the adjustable mount; and,
FIG. 13 is an exploded right, front perspective view.
The broken line showing in FIGS. 2-5 and 7 is included for the purpose of illustrating environment and forms no part of the claimed design.

1 Claim, 7 Drawing Sheets



(58) **Field of Classification Search**

CPC B05B 15/066; B05B 1/18; B05B 1/00;
B05B 15/061; B05B 9/01; A47K 3/28;
E03C 1/06; E03C 1/046

See application file for complete search history.

(56) **References Cited**

U.S. PATENT DOCUMENTS

D608,412	S	*	1/2010	Barnard	D23/223
D668,320	S	*	10/2012	Weihreter	D23/213
D674,046	S	*	1/2013	Berger	D23/223
D723,137	S	*	2/2015	Nikles	D23/223
D761,935	S	*	7/2016	McCutcheon	D23/213

* cited by examiner

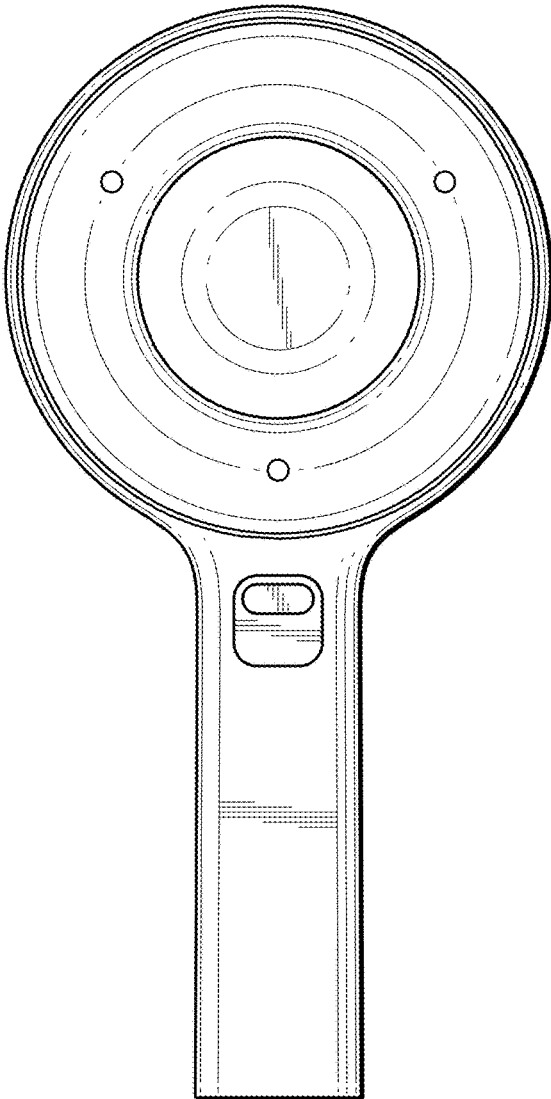


FIG. 1

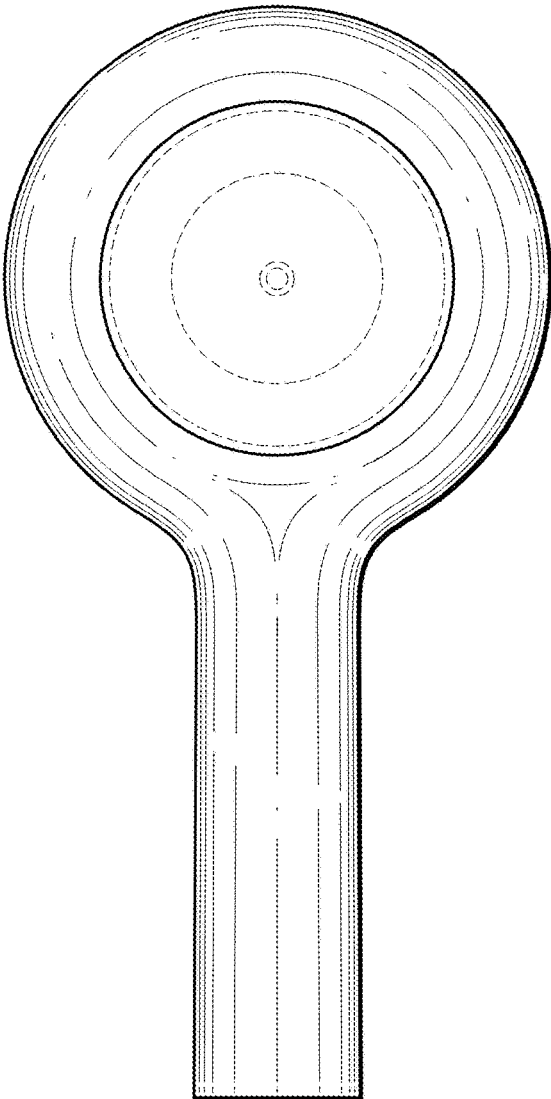


FIG. 2

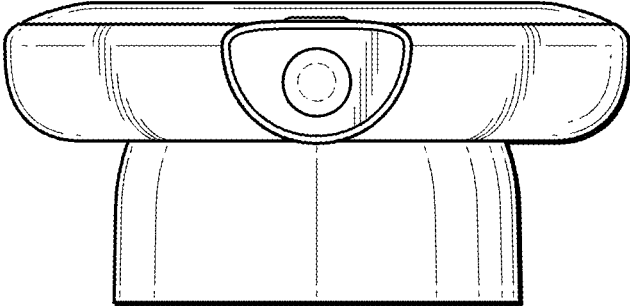


FIG. 3

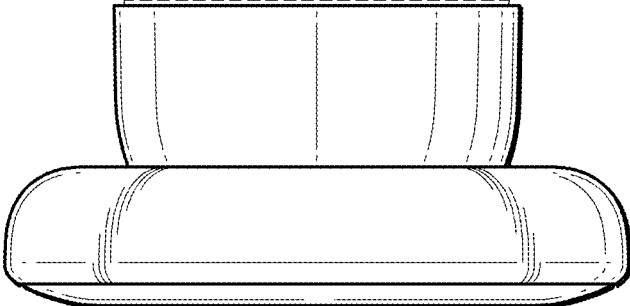


FIG. 4

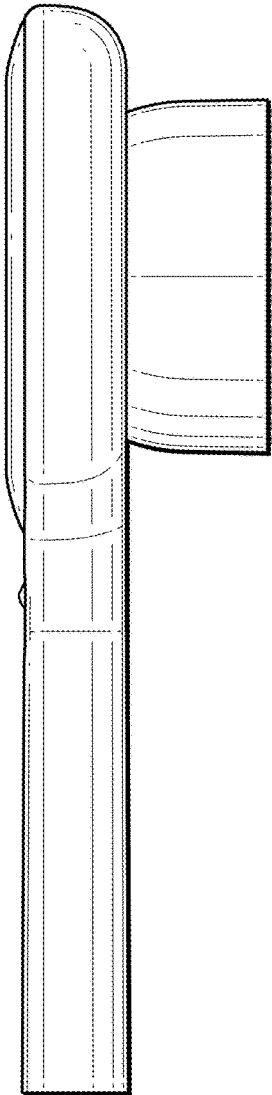


FIG. 5

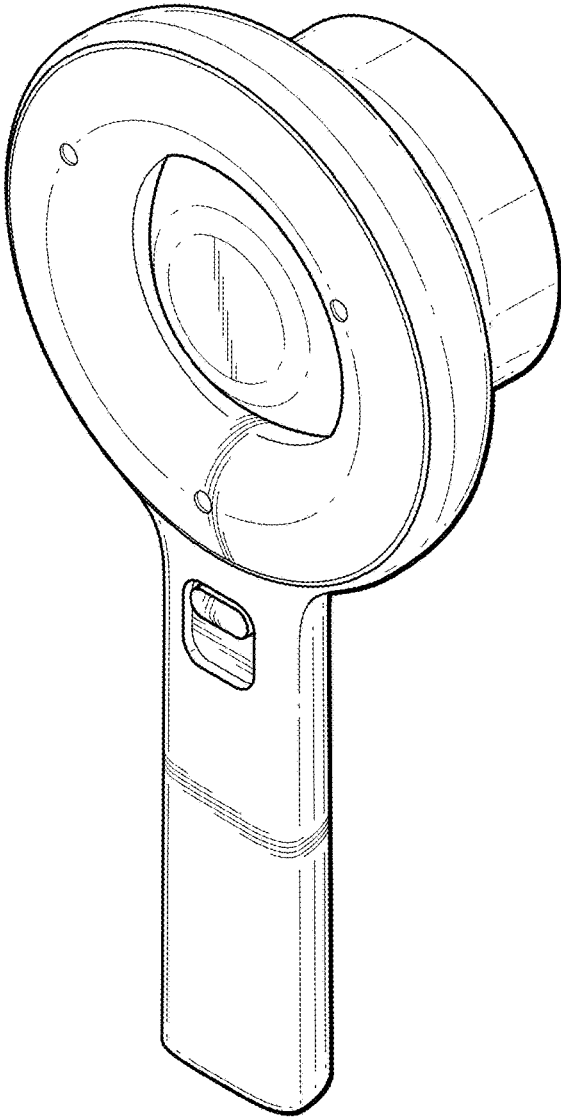


FIG. 6

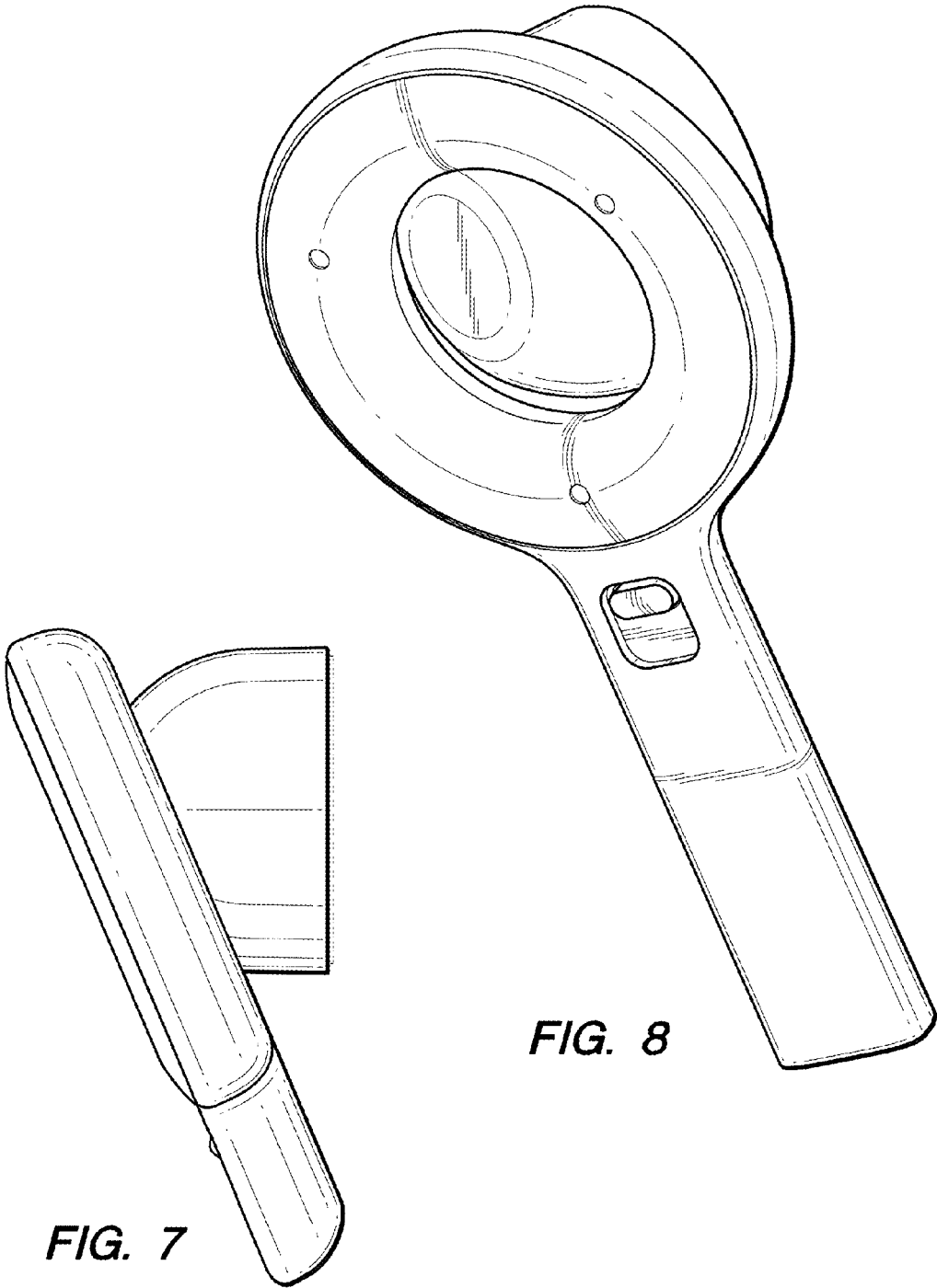


FIG. 7

FIG. 8

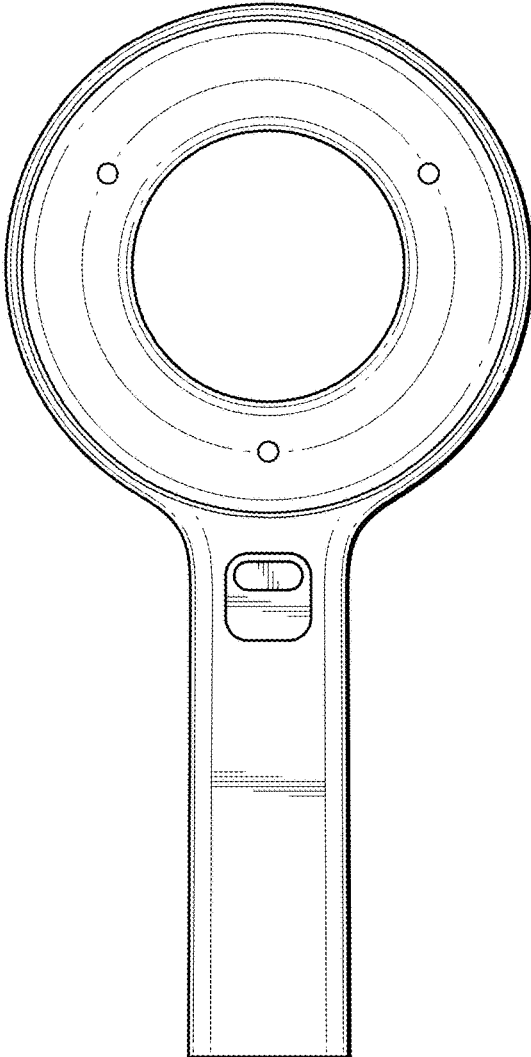


FIG. 9

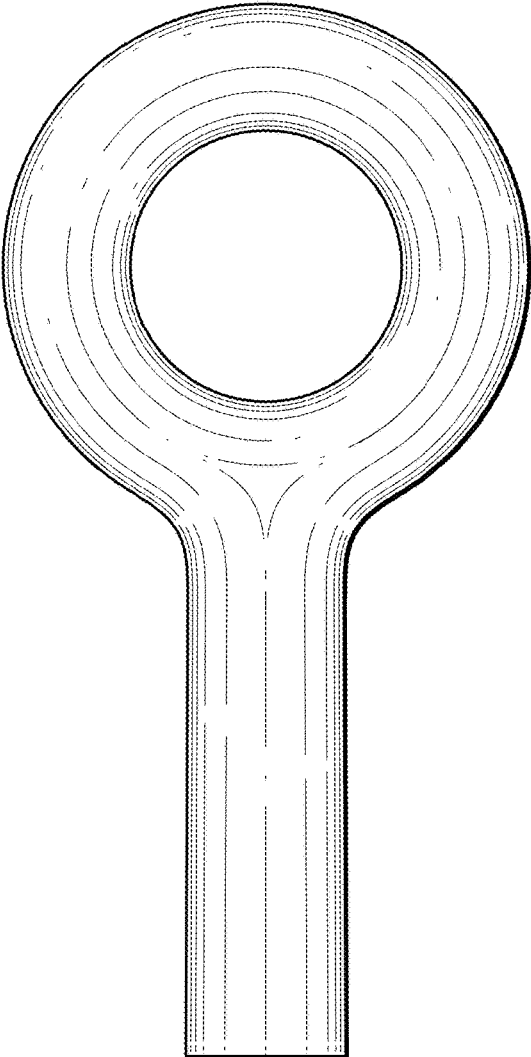


FIG. 10

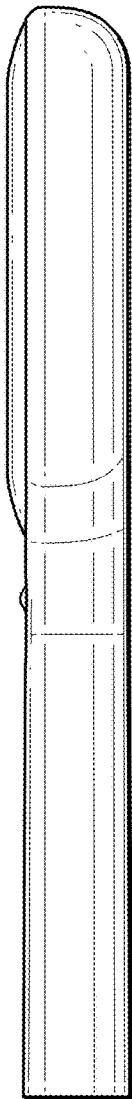


FIG. 11

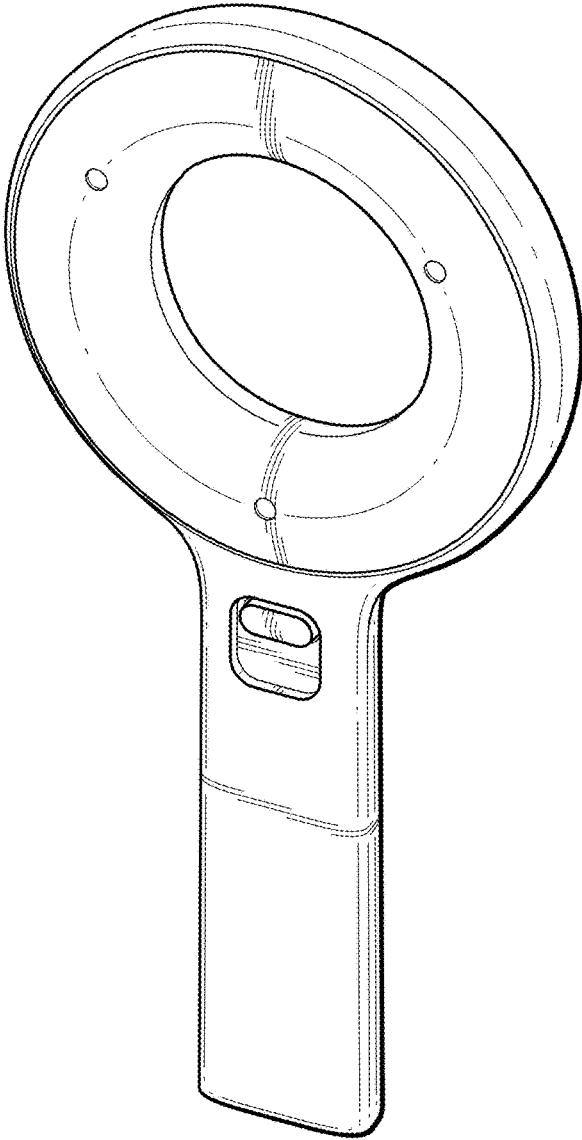


FIG. 12

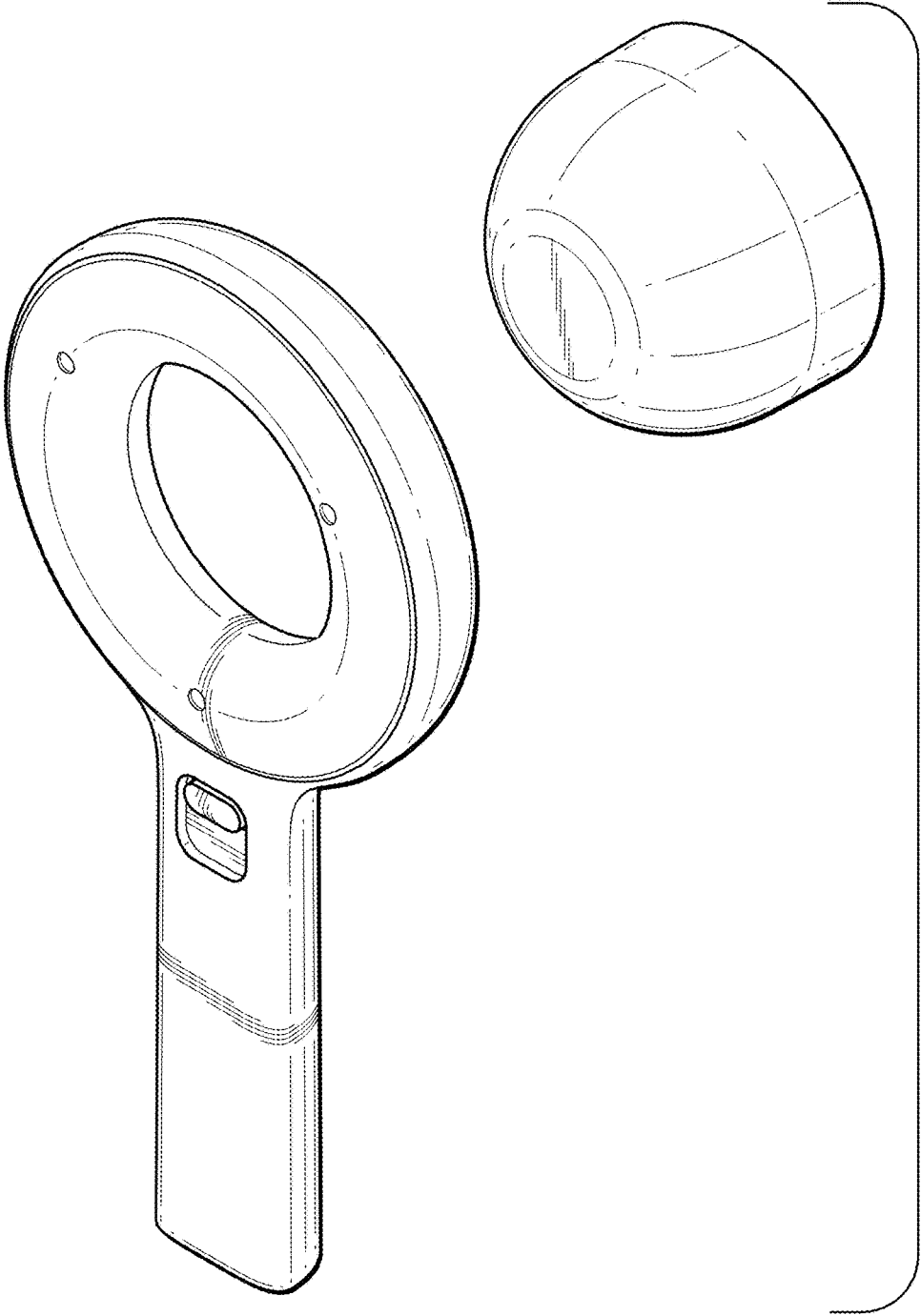


FIG. 13