



(12) **United States Design Patent**  
**Harris et al.**

(10) **Patent No.:** **US D768,445 S**  
(45) **Date of Patent:** **\*\* \*Oct. 11, 2016**

- (54) **FOOD CUTTING APPARATUS**
- (71) Applicant: **Columbia Insurance Company,**  
Omaha, NE (US)
- (72) Inventors: **E. Mark Harris,** McHenry, IL (US);  
**Roland Sudmalis,** Park Ridge, IL (US)
- (73) Assignee: **Columbia Insurance Company,**  
Omaha, NE (US)
- (\*) Notice: This patent is subject to a terminal disclaimer.
- (\*\*) Term: **14 Years**
- (21) Appl. No.: **29/512,261**
- (22) Filed: **Dec. 17, 2014**
- (51) **LOC (10) Cl.** ..... **07-04**
- (52) **U.S. Cl.**  
USPC ..... **D7/673; D7/693**
- (58) **Field of Classification Search**  
USPC ..... 99/484-485, 493, 509-511, 537;  
219/443.1, 450.1, 764, 771; 241/168,  
241/169, 199.12; 269/87.2; 366/96, 242,  
366/244; 83/745, 870  
CPC ..... A21C 15/04; A47J 43/00; A47J 43/085;  
B26B 29/063  
See application file for complete search history.

(56) **References Cited**

**U.S. PATENT DOCUMENTS**

- 2,166,624 A \* 7/1939 Cohn ..... B26D 1/553  
83/466.1
- 2,197,056 A \* 4/1940 Nelson ..... A47J 37/0611  
219/450.1
- 3,885,321 A \* 5/1975 Fouinetau ..... A47J 43/24  
210/360.1
- 4,674,404 A 6/1987 D'Erasmio
- D377,297 S \* 1/1997 Thompson ..... D7/673
- D379,907 S 6/1997 Israeli
- 5,819,629 A \* 10/1998 Sarich ..... B26B 29/063  
83/745

- 5,832,804 A \* 11/1998 Dudley ..... B26B 29/06  
269/288
- 5,946,998 A \* 9/1999 Thompson ..... B26B 29/063  
269/270
- D467,766 S \* 12/2002 Wanat ..... D7/352
- D527,588 S \* 9/2006 de Groote ..... D7/629
- D582,220 S \* 12/2008 Farnum ..... D7/672

(Continued)

**FOREIGN PATENT DOCUMENTS**

CN 201530199439 \* 11/2015

**OTHER PUBLICATIONS**

Pampered Chef, Close & Cut, Publication Date Unknown, [Site Visited Jan. 4, 2016], Available From the Internet URL: <<https://www.pamperedchef.com/shop/Cook%27s+Tools/Mandolines%2C+Slicers+%26+Choppers/Close+%26+Cut/1118>>.\*

(Continued)

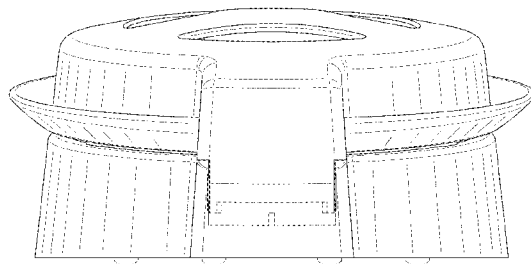
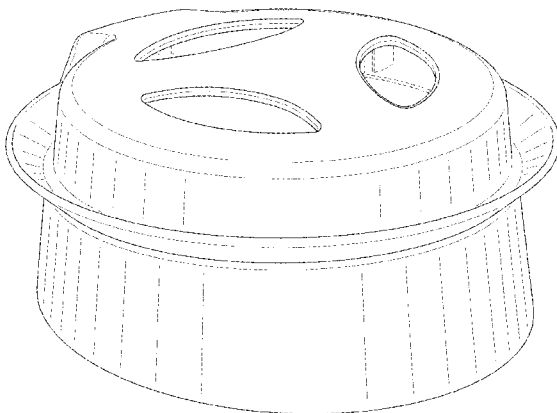
*Primary Examiner* — Jeffrey D Asch  
*Assistant Examiner* — S. Bryan Reinholdt, Jr.  
(74) *Attorney, Agent, or Firm* — Neal, Gerber & Eisenberg, LLP

(57) **CLAIM**  
The ornamental design for a food cutting apparatus, as shown and described.

**DESCRIPTION**

FIG. 1 is a perspective view of the food cutting apparatus of the present invention;  
FIG. 2 is a top plan view thereof;  
FIG. 3 is a bottom plan view thereof;  
FIG. 4 is a first side elevational view thereof;  
FIG. 5 is a second side elevational view thereof, opposite from the first side elevational view;  
FIG. 6 is a front elevational view thereof; and,  
FIG. 7 is a rear elevational view thereof.  
The broken lines in the drawings illustrate the portions of the food cutting apparatus that form no part of the claim. The interior surfaces, within the almond-shaped openings at the top, form no part of the claimed design.

**1 Claim, 7 Drawing Sheets**



(56)

**References Cited**

U.S. PATENT DOCUMENTS

D599,176 S 9/2009 Seehoff et al.  
D618,517 S \* 6/2010 Wong ..... D7/672  
D673,006 S \* 12/2012 Kent ..... D7/372  
8,474,359 B2 \* 7/2013 George ..... A47J 47/005  
269/287  
2003/0101878 A1 \* 6/2003 Muldoon ..... B26B 29/063  
99/422  
2009/0282990 A1 \* 11/2009 Farnum ..... B26D 3/26  
99/537

OTHER PUBLICATIONS

Pampered Chef. "Close and Cut." YouTube. YouTube, Mar. 2, 2015.  
Site visited Jan. 6, 2016. <<https://www.youtube.com/watch?v=6xTcuZiJksw>>.\*  
U.S. Appl. No. 29/512,259, filed Dec. 17, 2014; title: Food Cutting  
Apparatus; Inventor(s): E. Mark Harris et al.  
U.S. Appl. No. 29/512,260, filed Dec. 17, 2014; title: Food Cutting  
Apparatus; Inventor(s): E. Mark Harris et al.

\* cited by examiner

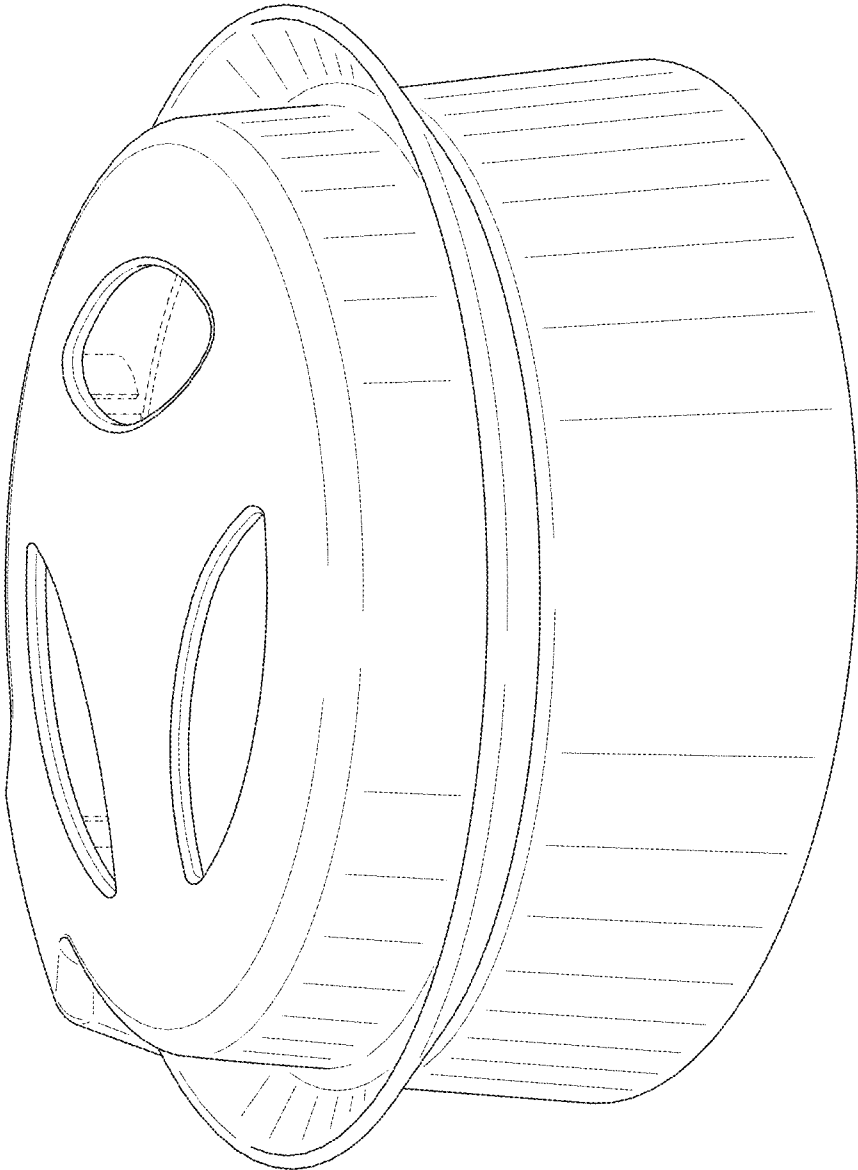


FIG. 1

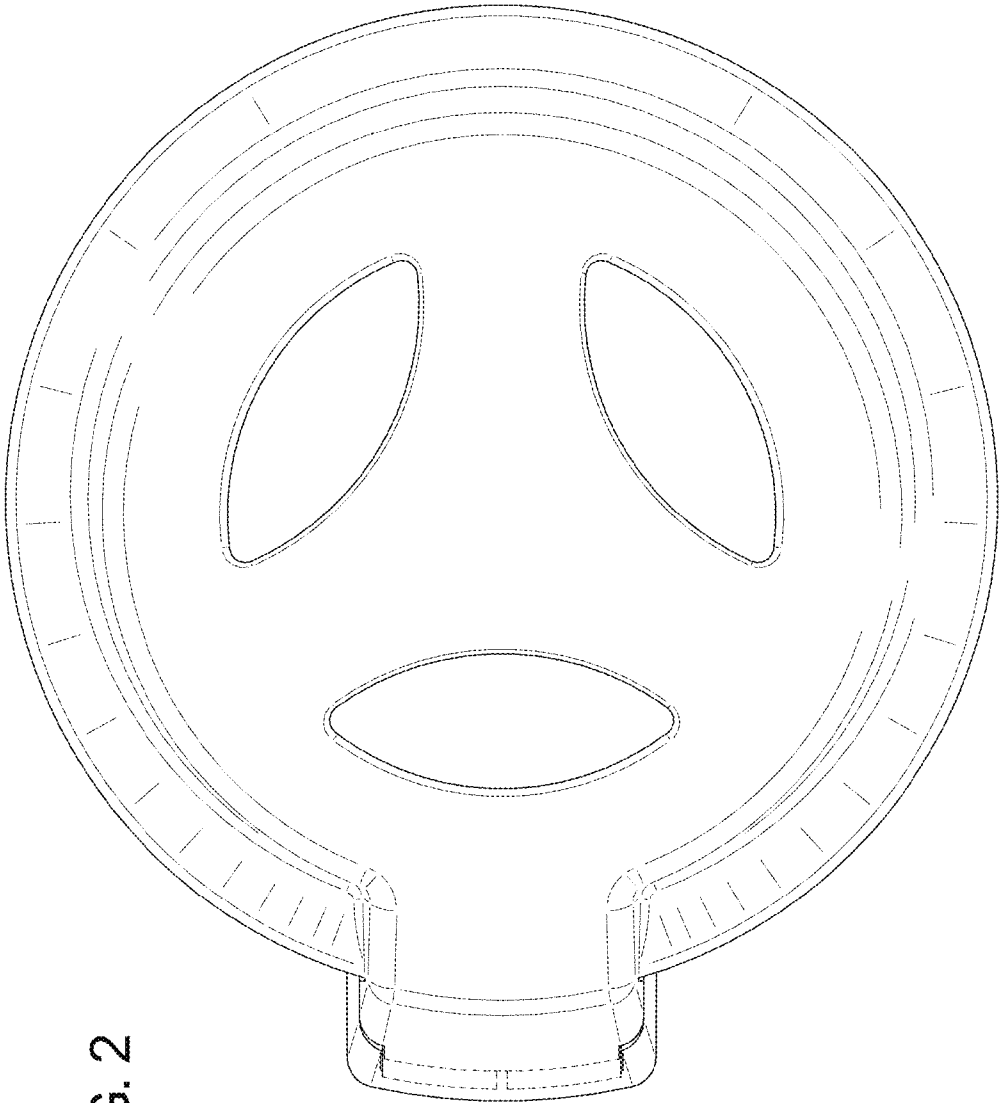


FIG. 2

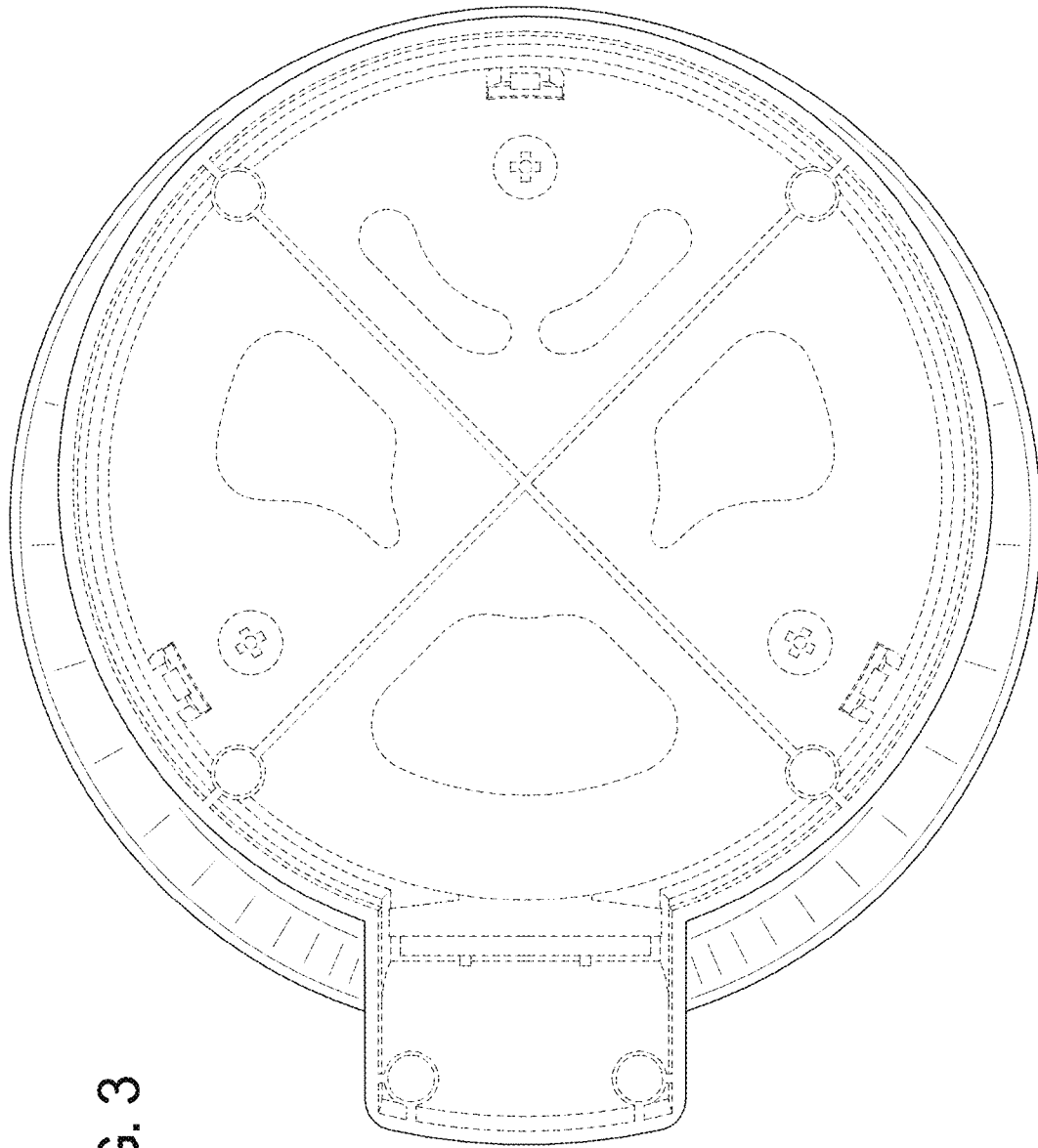


FIG. 3

FIG. 4

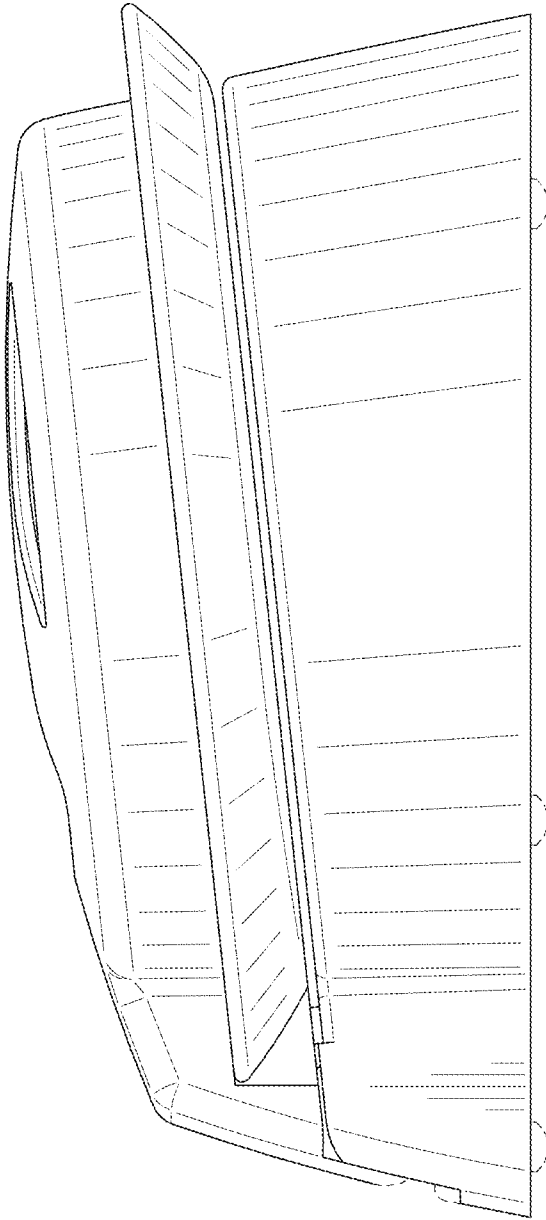


FIG. 5

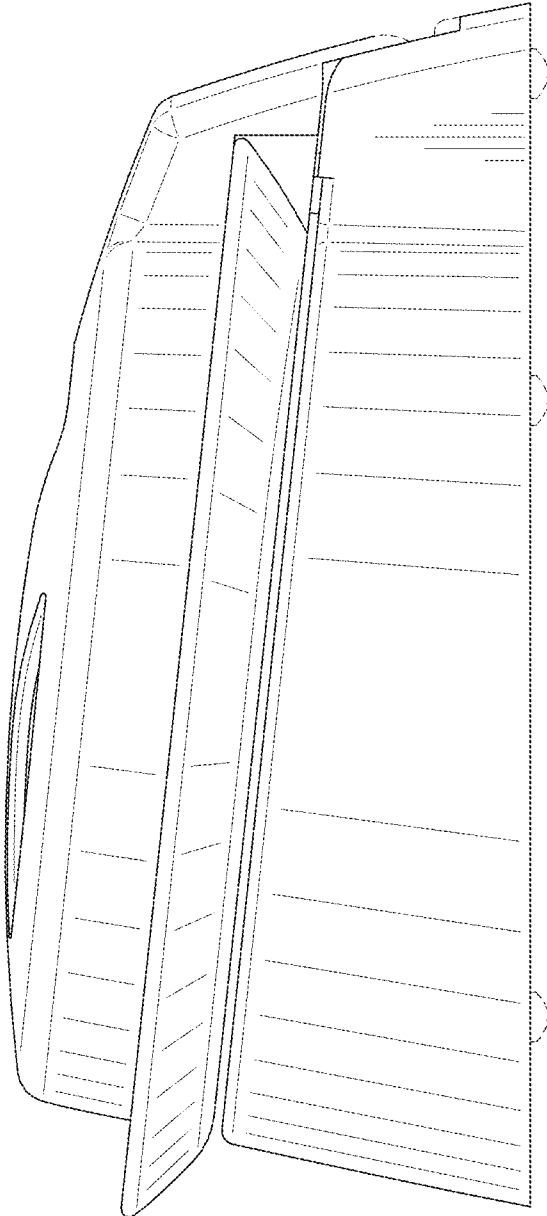


FIG. 6

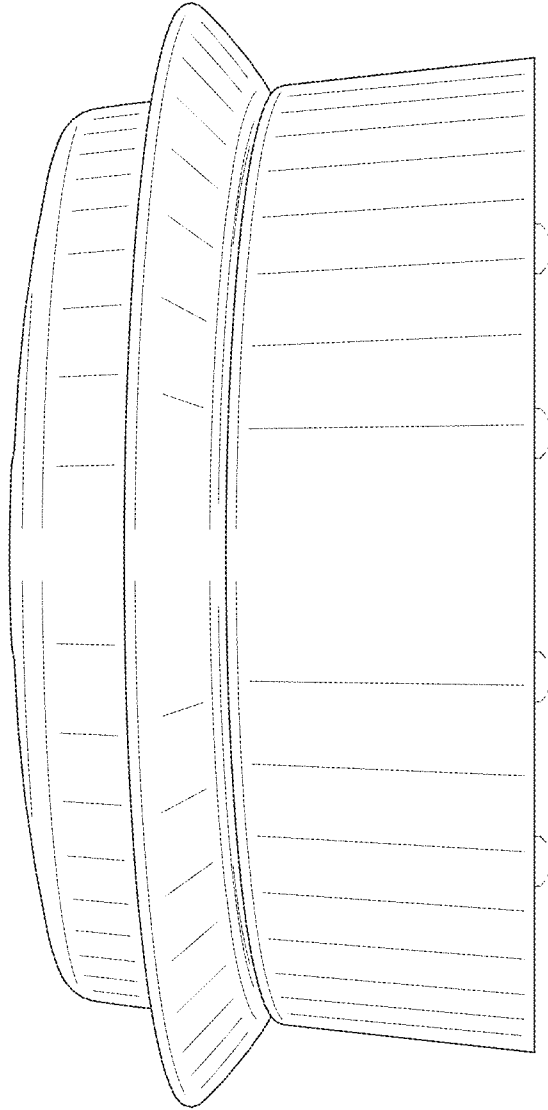


FIG. 7

