



US00D557136S

(12) **United States Design Patent**
Bengtzelius et al.

(10) **Patent No.:** **US D557,136 S**

(45) **Date of Patent:** **** Dec. 11, 2007**

(54) **CONTAINER**

(75) Inventors: **Bjorn Bengtzelius**, Gothenburg (SE);
Richi Collet, Venray (SE); **Kent Engstrom**, Malmö (SE); **Niklas Hofverberg**, Gothenburg (SE)

(73) Assignee: **Astra Tech AB**, Moindal (SE)

(**) Term: **14 Years**

(21) Appl. No.: **29/225,209**

(22) Filed: **Mar. 14, 2005**

(30) **Foreign Application Priority Data**

Sep. 15, 2004 (EM) 000226410

(51) **LOC (8) Cl.** **09-03**

(52) **U.S. Cl.** **D9/426; D9/425; D9/418**

(58) **Field of Classification Search** D9/414-432,
D9/748-762, 449, 456; D7/601-602, 629;
206/484-484.2, 518, 557, 459.1, 524.3; 220/287,
220/556, 241-2, 780-1, 350; D3/258, 269,
D3/272, 294, 321

See application file for complete search history.

(56) **References Cited**

U.S. PATENT DOCUMENTS

3,400,873	A	9/1968	Bessett	
3,695,514	A	10/1972	Mascetti, Jr.	
3,800,998	A	4/1974	Gask	
4,872,551	A	10/1989	Theros	
D320,934	S *	10/1991	Cross et al.	D9/415
5,842,567	A *	12/1998	Rowe et al.	206/364
D430,015	S *	8/2000	Himbert et al.	D9/425
D472,140	S *	3/2003	Yang	D9/415
D497,547	S *	10/2004	Kumakura et al.	D9/415
D505,322	S *	5/2005	Guthrie et al.	D9/418
D506,925	S *	7/2005	Plumer	D9/415

* cited by examiner

Primary Examiner—Louis S Zarfaz
Assistant Examiner—Susan E Krakower

(74) *Attorney, Agent, or Firm*—Birch, Stewart, Kolasch & Birch, LLP

(57) **CLAIM**

The ornamental design for container, as shown and described.

DESCRIPTION

FIG. 1 is a perspective view of a container showing our new design;

FIG. 2 is a front elevational view thereof;

FIG. 3 is a left side elevational view thereof;

FIG. 4 is a top plan view thereof;

FIG. 5 is a bottom plan view thereof;

FIG. 6 is a rear elevational view thereof;

FIG. 7 is a right side elevational view thereof;

FIG. 8 is a top perspective view thereof, in an open position;

FIG. 9 is a bottom perspective view thereof, in an open position;

FIG. 10 is a perspective view of a second embodiment of a container showing our new design;

FIG. 11 is a front elevational view thereof;

FIG. 12 is a left side elevational view thereof;

FIG. 13 is a top plan view thereof;

FIG. 14 is a bottom plan view thereof;

FIG. 15 is a rear elevational view thereof;

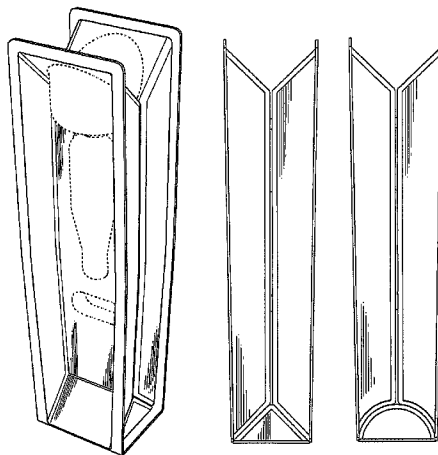
FIG. 16 is a right side elevational view thereof;

FIG. 17 is a top perspective view thereof, in an open position; and,

FIG. 18 is a bottom perspective view thereof, in an open position.

The broken line showing of a bottle and interior contours are included for the purpose of illustrating environmental structure and forms no part of the claimed design.

1 Claim, 8 Drawing Sheets



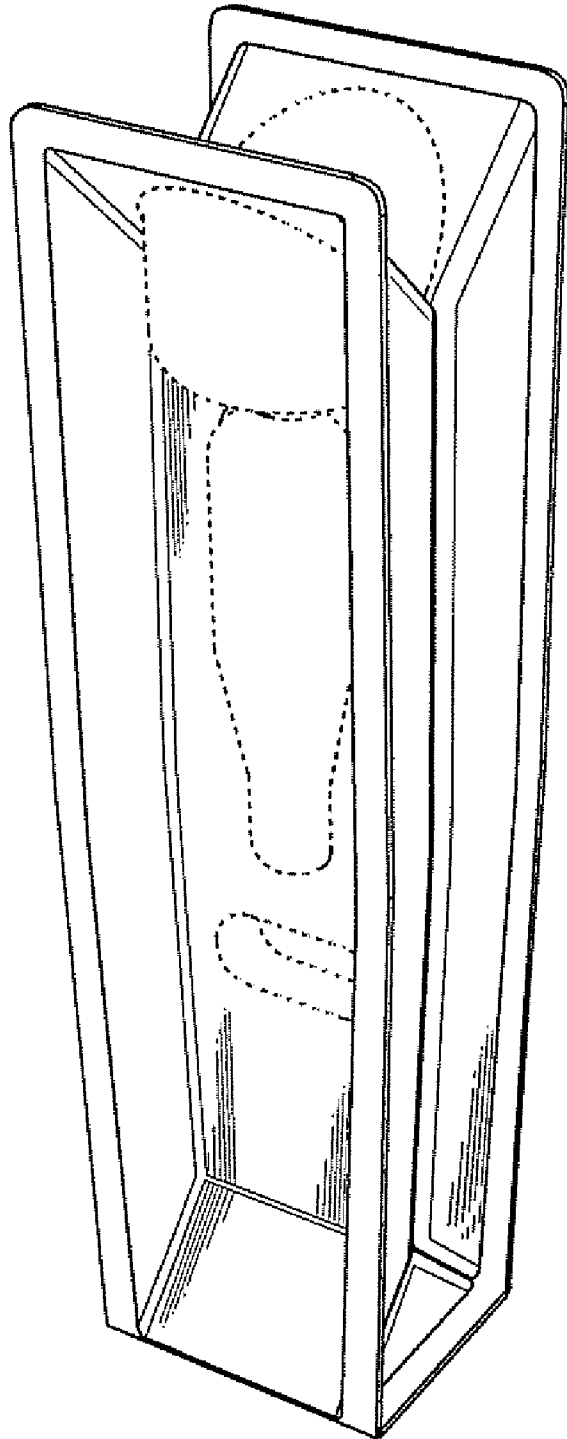


Figure 1

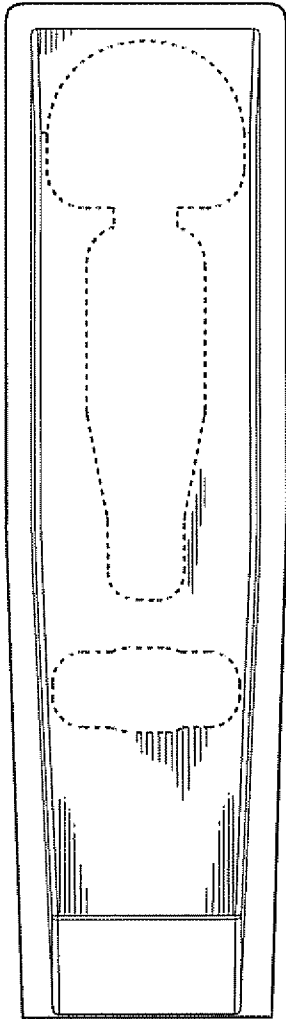


Figure 2

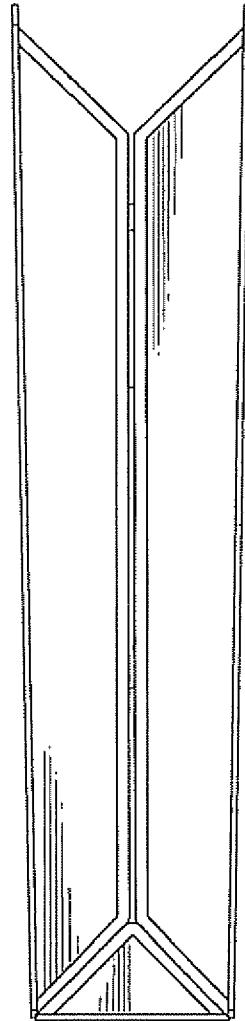


Figure 3

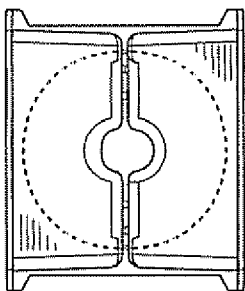


Figure 4

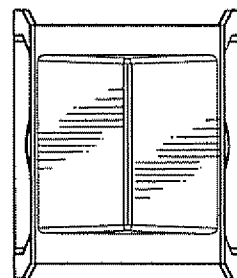


Figure 5

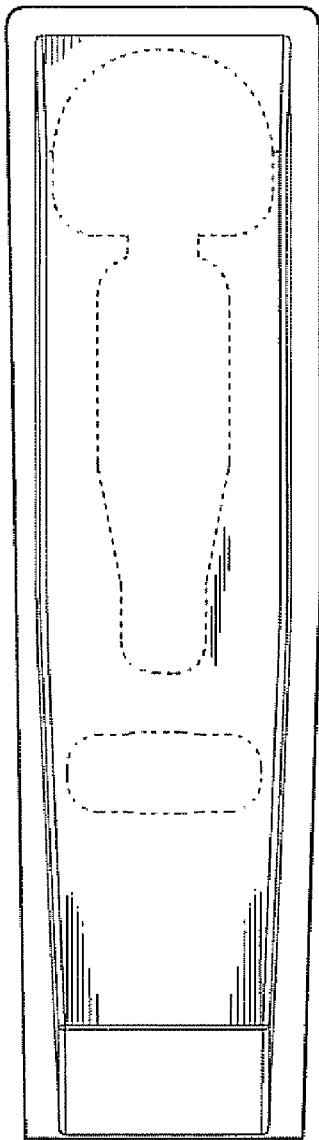


Figure 6

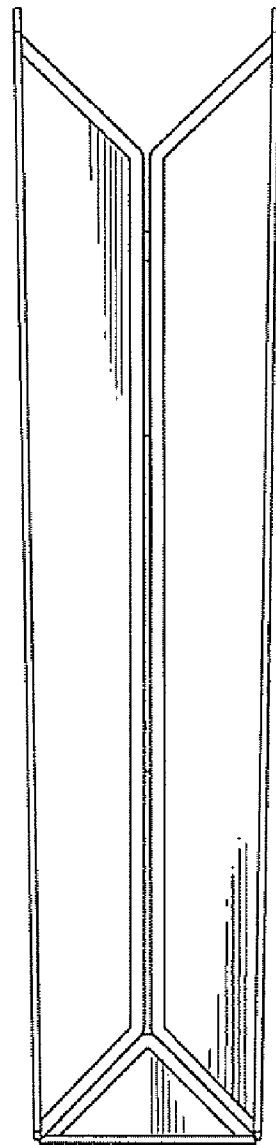


Figure 7

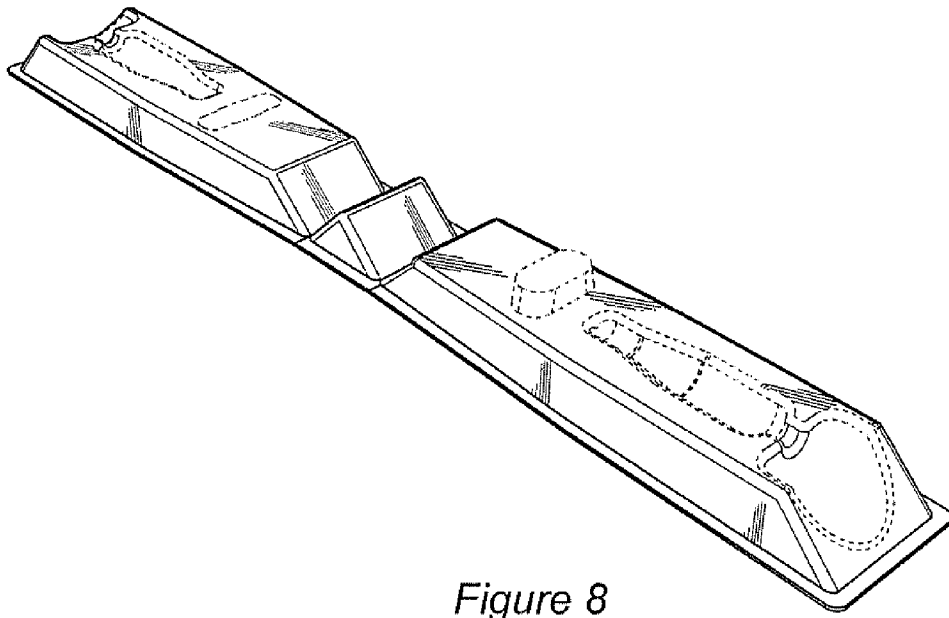


Figure 8

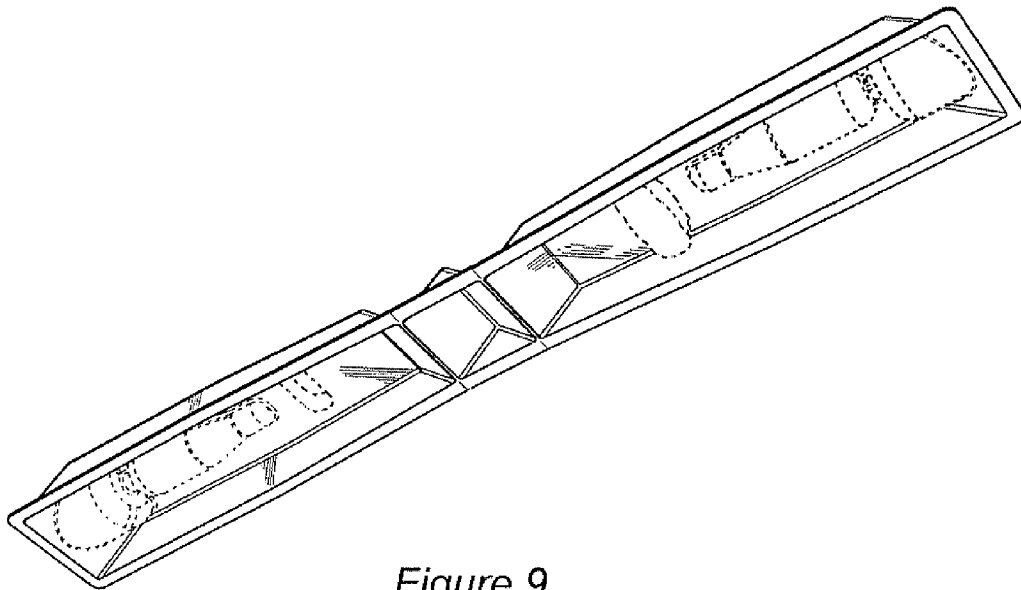


Figure 9

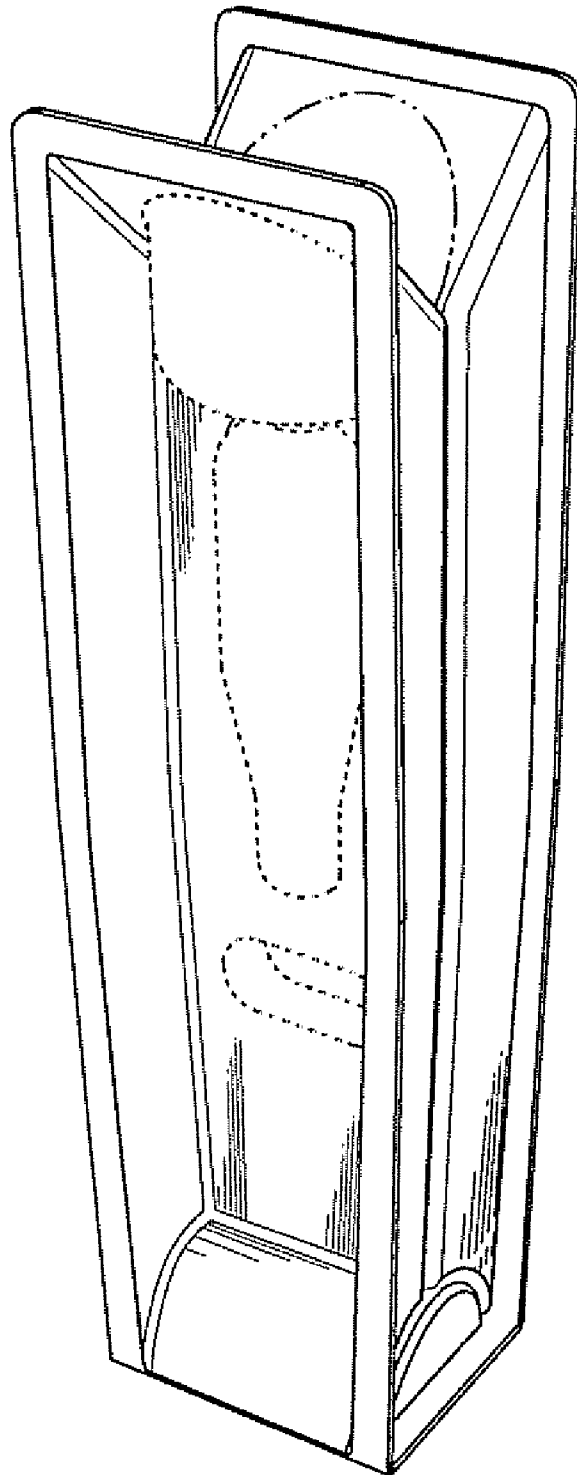


Figure 10

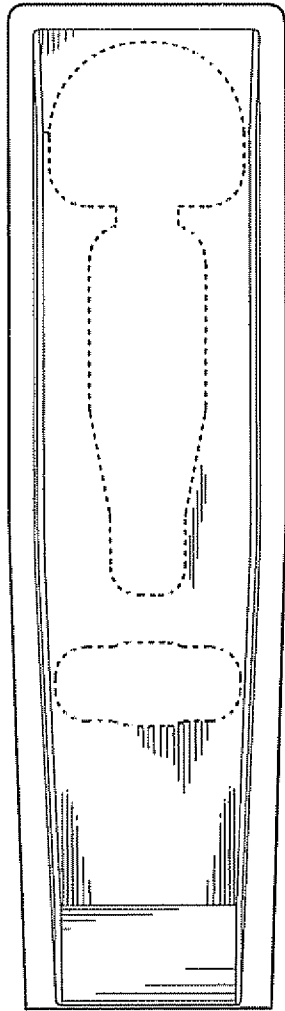


Figure 11

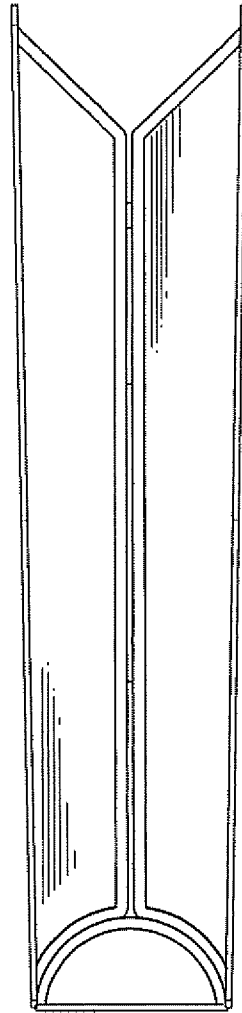


Figure 12

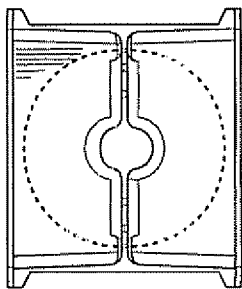


Figure 13

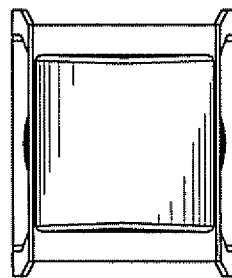


Figure 14

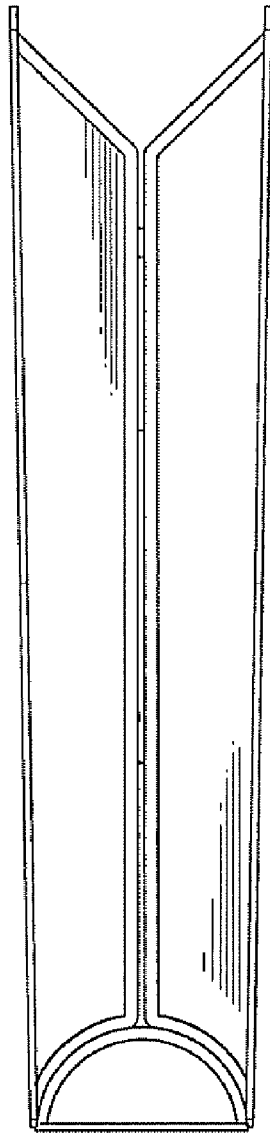


Figure 15

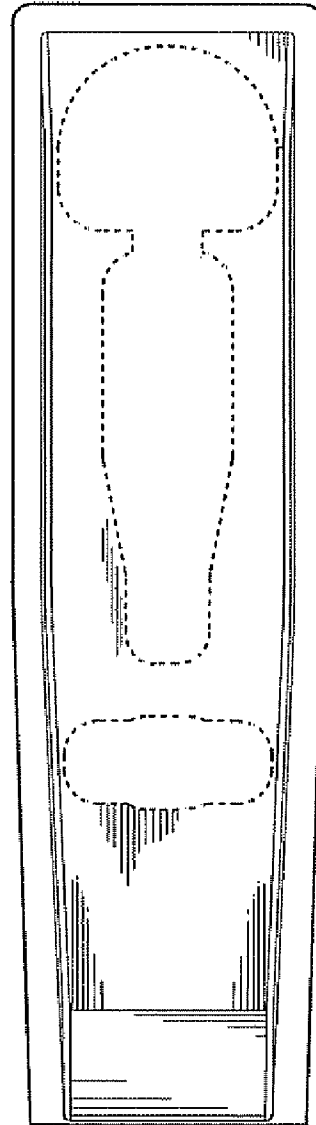


Figure 16

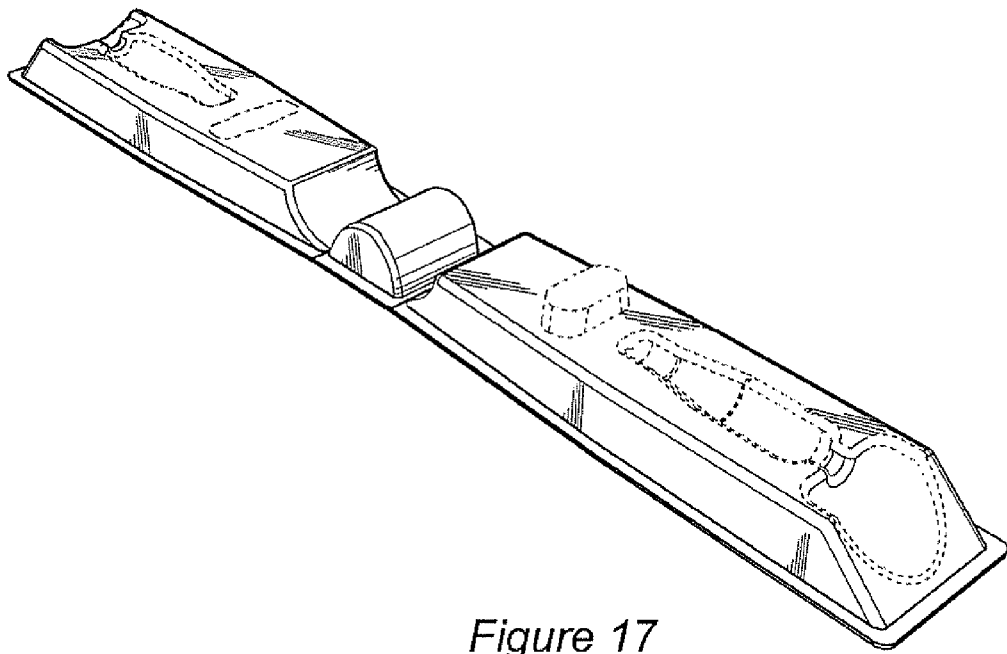


Figure 17

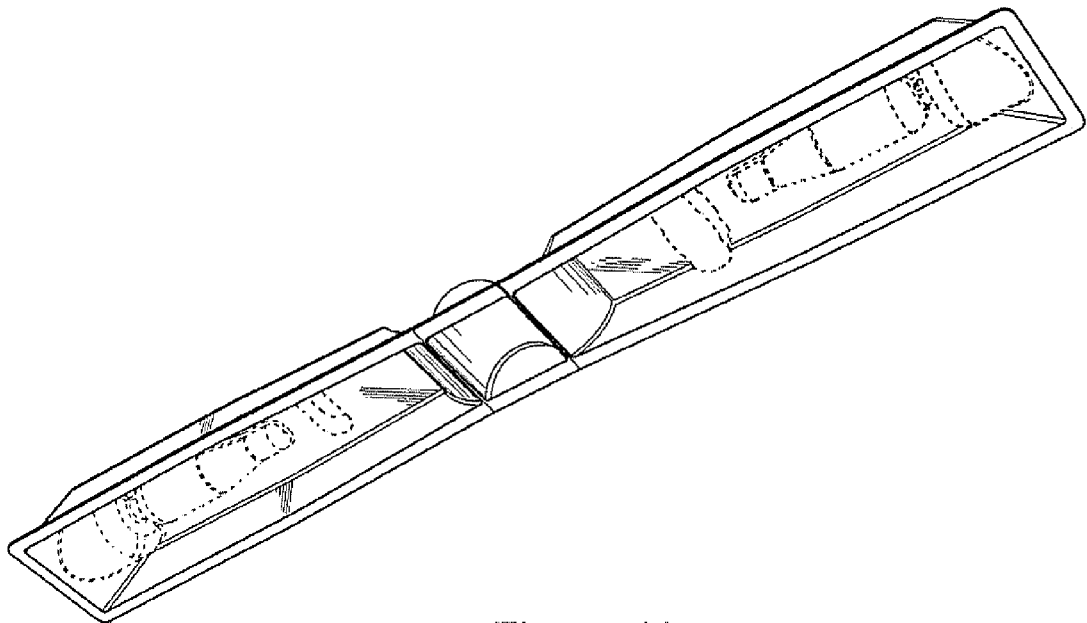


Figure 18