



US00D536683S

(12) **United States Design Patent** (10) **Patent No.:** **US D536,683 S**
Lim et al. (45) **Date of Patent:** **** *Feb. 13, 2007**

(54) **DVD RECORDER**

(75) Inventors: **Hyun-Teak Lim**, Seoul (KR); **Ju-Won Cho**, Seoul (KR)

(73) Assignee: **Samsung Electronics Co., Ltd.**, Suwon (KR)

(*) Notice: This patent is subject to a terminal disclaimer.

(**) Term: **14 Years**

(21) Appl. No.: **29/237,123**

(22) Filed: **Aug. 26, 2005**

(51) **LOC (8) Cl.** **14-01**

(52) **U.S. Cl.** **D14/136**

(58) **Field of Classification Search** D14/135-136,
D14/156-157, 167-168, 193-198, 188, 357,
D14/445; 360/99.02, 99.07, 137; 369/75.11,
369/75.21, 77.21, 77.11; 720/612, 619, 647,
720/655; 455/344, 347-351

See application file for complete search history.

(56) **References Cited**

U.S. PATENT DOCUMENTS

4,758,910 A * 7/1988 Kaneko et al. 360/137

(Continued)

OTHER PUBLICATIONS

U.S. Appl. No. 29/217,942, Applicant: Young-Sam Kwon, et al., filed Nov. 23, 2004 entitled Complex Image Player.
U.S. Appl. No. 29/217,943, Applicant: Bong-Chan Ko, et al., filed Nov. 23, 2004 entitled Complex Image Player.
U.S. Appl. No. 29/217,940, Applicant: Young-Sam Kwon, et al., filed Nov. 23, 2004 entitled Complex Image Player.
U.S. Appl. No. 29/217,946, Applicant: Young-Sam Kwon, et al., filed Nov. 23, 2004 entitled DVD Player.
U.S. Appl. No. 29/217,945, Applicant: Young-Sam Kwon, et al., filed Nov. 23, 2004 entitled Double-Deck DVD Recorder.
U.S. Appl. No. 29/217,947, Applicant: Young-Sam Kwon, et al., filed Nov. 23, 2004 entitled Complex Image Player.

U.S. Appl. No. 29/226,437, Applicant: Min-Geun Kim, et al., filed Mar. 29, 2005 entitled Digital Video Recorder.
U.S. Appl. No. 29/228,009, Applicant: Han Kim, et al., filed Apr. 19, 2005 entitled Complex Image Player.
U.S. Appl. No. 29/228/003, Applicant: Hyun-Teak Lim, et al., filed Apr. 19, 2005 entitled DVD Recorder.
U.S. Appl. No. 29/228,001, Applicant: Hyun-Teak Lim, filed Apr. 19, 2005 entitled DVD Recorder.
U.S. Appl. No. 29/228,005, Applicant: Han Kim, et al., filed Apr. 19, 2005 entitled Complex Image Player.
U.S. Appl. No. 29/228,023, Applicant: Han Kim, et al., filed Apr. 19, 2005 entitled Blu-Ray Player.
U.S. Appl. No. 29/228,020, Applicant: Hyun-Teak Lim, filed Apr. 19, 2005 entitled DVD Recorder.
U.S. Appl. No. 29/228,006, Applicant: Han Kim, et al., filed Apr. 19, 2005 entitled Complex Image Player.
U.S. Appl. No. 29/228,036, Applicant: Young-Sam Kwon, et al., filed Apr. 19, 2005 entitled Complex Image Player.
U.S. Appl. No. 29/228,002, Applicant: Hyun-Teak Lim, filed Apr. 19, 2005 entitled Blu-Ray Player.
U.S. Appl. No. 29/228,008, Applicant: Young-Sam Kwon, et al., filed Apr. 19, 2005 entitled Complex Image Player.

(Continued)

Primary Examiner—Nanda Bondade
(74) *Attorney, Agent, or Firm*—Flynn, Thiel, Boutell & Tanis, P.C.

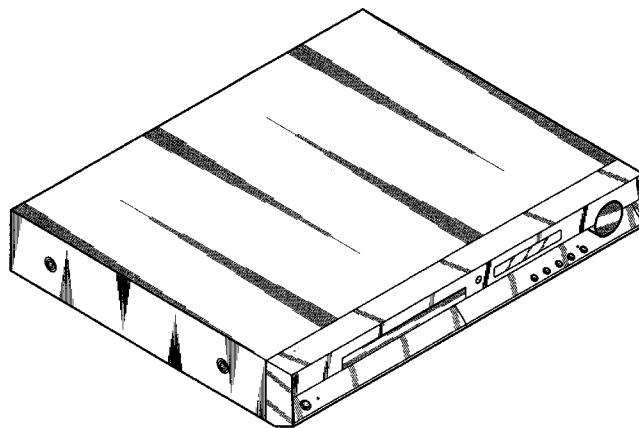
(57) **CLAIM**

The ornamental design for a DVD recorder, as shown and described.

DESCRIPTION

FIG. 1 is a top front perspective view of a DVD recorder showing our new design;
FIG. 2 is a front elevational view thereof;
FIG. 3 is a rear elevational view thereof;
FIG. 4 is a left side elevational view thereof, the right side being a mirror image;
FIG. 5 is a top plan view thereof; and,
FIG. 6 is a bottom plan view thereof.

1 Claim, 5 Drawing Sheets



U.S. PATENT DOCUMENTS

D448,741 S * 10/2001 Makino et al. D14/136
D480,373 S * 10/2003 Oda et al. D14/136
D485,814 S * 1/2004 Winkler D14/136
D487,571 S * 3/2004 Kuo et al. D14/136
D494,555 S * 8/2004 Wu D14/136

OTHER PUBLICATIONS

U.S. Appl. No. 29/228,033, Applicant: Young-Sam Kwon, et al., filed Apr. 19, 2005 entitled Complex Image Player.
U.S. Appl. No. 29/228,011, Applicant: Young-Sam Kwon, et al., filed Apr. 19, 2005 entitled Complex Image Player.
U.S. Appl. No. 29/228,000, Applicant: Young-Sam Kwon, et al., filed Apr. 19, 2005 entitled DVD Player.
U.S. Appl. No. 29/227,995, Applicant: Hyun-Teak Lim, et al., filed Apr. 19, 2005 entitled DVD Player.
U.S. Appl. No. 29/231,247, Applicant: Ju-Won Cho, et al., filed Jun. 2, 2005 entitled DVD Player.

U.S. Appl. No. 29/237,117, Applicant: Hyun-Teak Lim, et al., filed Aug. 26, 2005 entitled Blu-Ray Disk Player.
U.S. Appl. No. 29/237,118, Applicant: Hyun-Teak Lim, et al., filed Aug. 26, 2005 entitled DVD Recorder.
U.S. Appl. No. 29/237,119, Applicant: Hyun-Teak Lim, et al., filed Aug. 26, 2005 entitled Blu-Ray Disk Player.
U.S. Appl. No. 29/237,120, Applicant: Jung-Hyun Park, et al., filed Aug. 26, 2005 entitled DVD Recorder.
U.S. Appl. No. 29/237,121, Applicant: Hyun-Teak Lim, et al., filed Aug. 26, 2005 entitled Complex Image Player.
U.S. Appl. No. 29/237,122, Applicant: Jung-Hyun Park, et al., filed Aug. 26, 2005 entitled DVD Player.
U.S. Appl. No. 29/237,124, Applicant: Hyun-Teak Lim, et al., filed Aug. 26, 2005 entitled DVD Recorder.

* cited by examiner

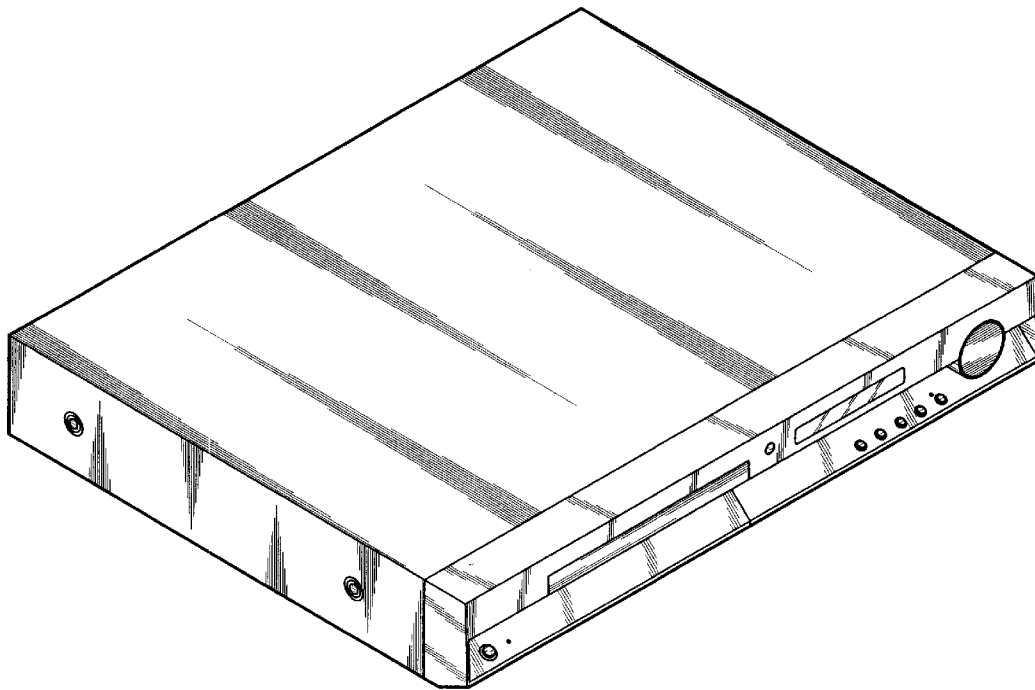


FIG. 1

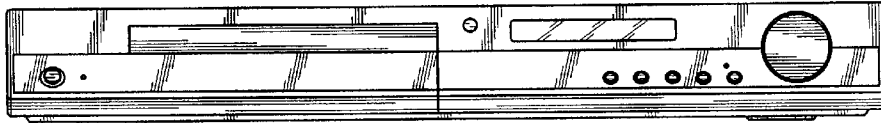


FIG. 2

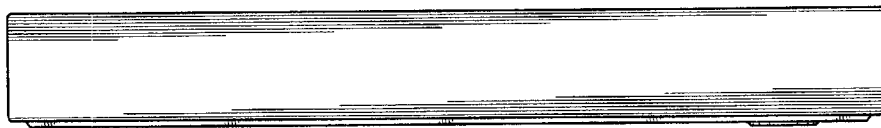


FIG. 3

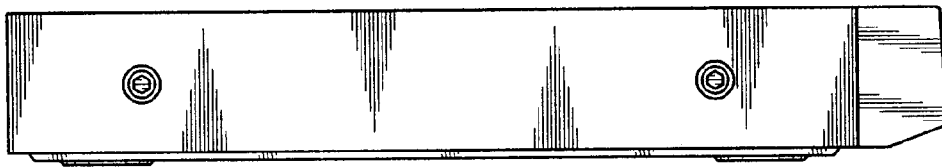


FIG. 4

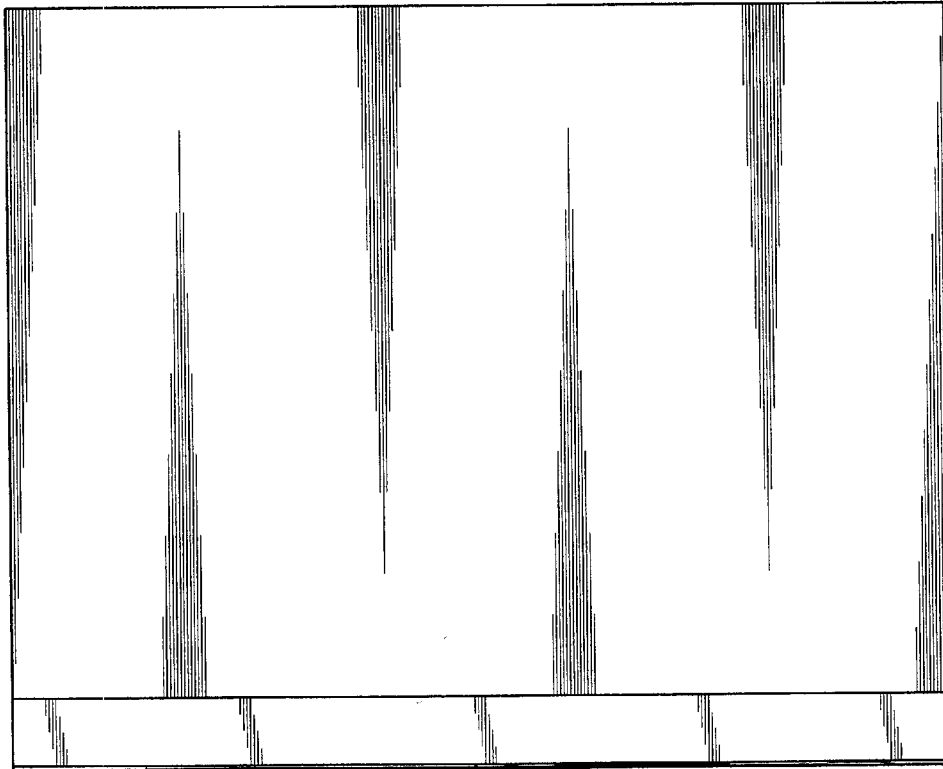


FIG. 5

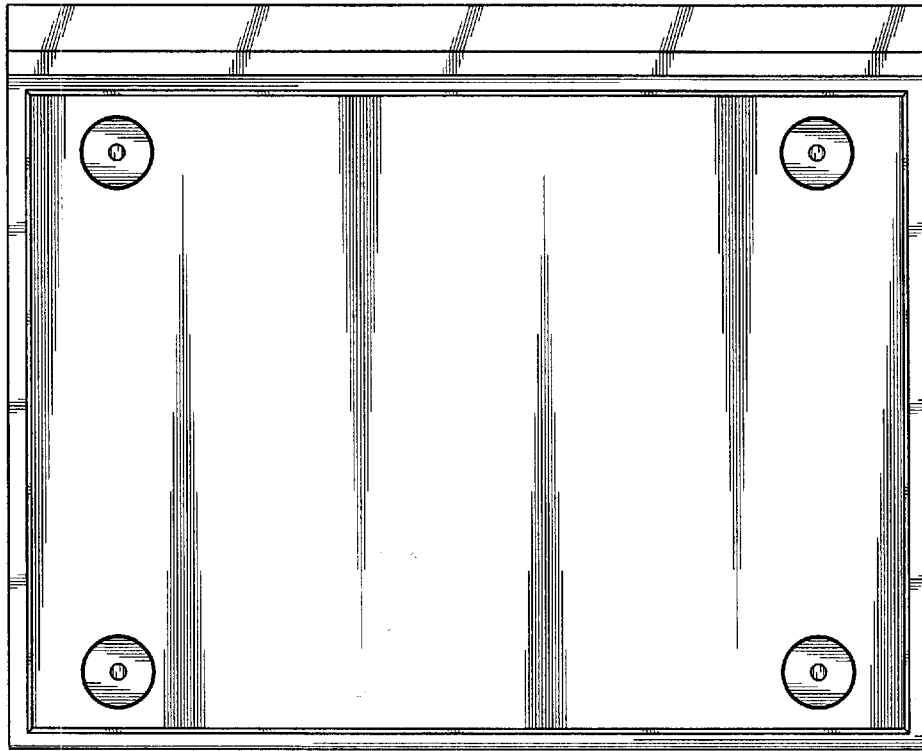


FIG. 6