



US00D347229S

United States Patent [19] Smith

[11] Patent Number: **Des. 347,229**
[45] Date of Patent: **** May 24, 1994**

- [54] TELEPHONE NETWORK INTERFACE MODULE
- [75] Inventor: **Thomas J. Smith**, Bay Shore, N.Y.
- [73] Assignee: **TII Industries, Inc.**, Copiague, N.Y.
- [**] Term: **14 Years**
- [21] Appl. No.: **733,388**
- [22] Filed: **Jul. 22, 1991**

D. 313,417	1/1991	Graham et al.	D14/240
D. 320,796	10/1991	Smith	D14/240
4,729,059	3/1988	Wang	379/412 X
4,732,919	2/1988	Crane	D13/152 X
4,749,359	6/1988	White	379/419 X
4,800,588	1/1989	Poster, Jr.	D13/184 X
4,850,014	7/1989	Gillis et al.	379/399

Related U.S. Application Data

- [63] Continuation-in-part of Ser. No. 418,473, Oct. 6, 1989, Pat. No. Des. 320,796.
- [52] U.S. Cl. **D14/240; D14/256**
- [58] Field of Search 379/399, 412, 419, 437, 379/441; 361/356, 331, 332, 380, 381, 111, 119, 415, 426; D14/240, 256, 100, 107, 241, 114; D13/152, 184, 199, 160, 162

References Cited

U.S. PATENT DOCUMENTS

- [56] D. 287,583 1/1987 Smith et al. D14/240 X
- D. 297,136 8/1988 Collins et al. D13/184 X
- D. 304,339 10/1989 Collins et al. D13/184 X
- D. 312,460 11/1990 Smith D14/240

OTHER PUBLICATIONS

Kedtel Advertisement, ©1987, article shown at top of page.

T11 Advertisement, T11 3400 Telephone network interface.

Primary Examiner—Nelson C. Holtje

Assistant Examiner—Jeffrey Asch

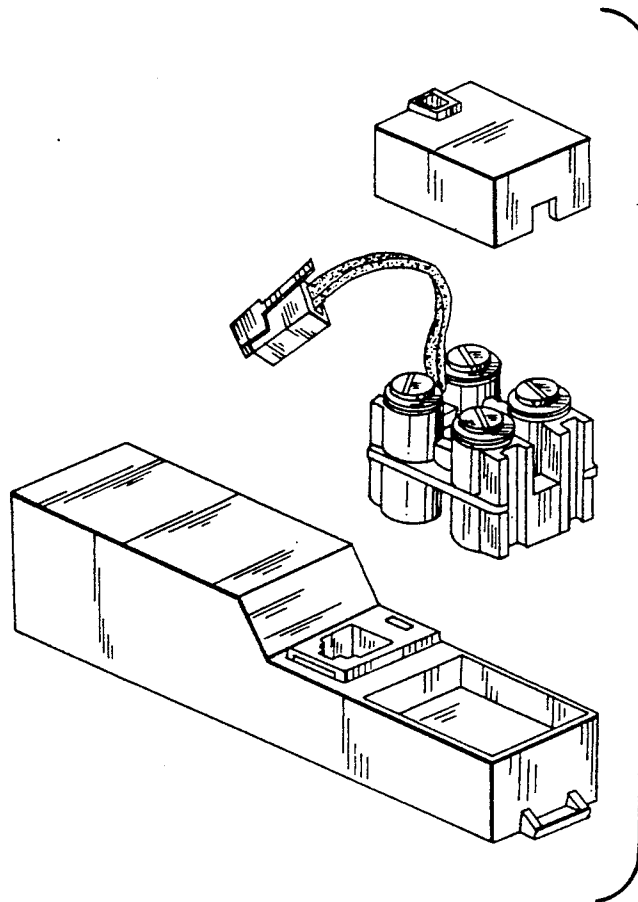
Attorney, Agent, or Firm—Sachs & Sachs

[57] CLAIM

The ornamental design for a telephone network interface module, as shown and described.

DESCRIPTION

FIG. 1 is an exploded perspective view of a telephone network interface module showing my new design; FIG. 2 is a front, left side, top perspective view; FIG. 3 is a right side elevational view; and, FIG. 4 is a rear elevational view thereof.



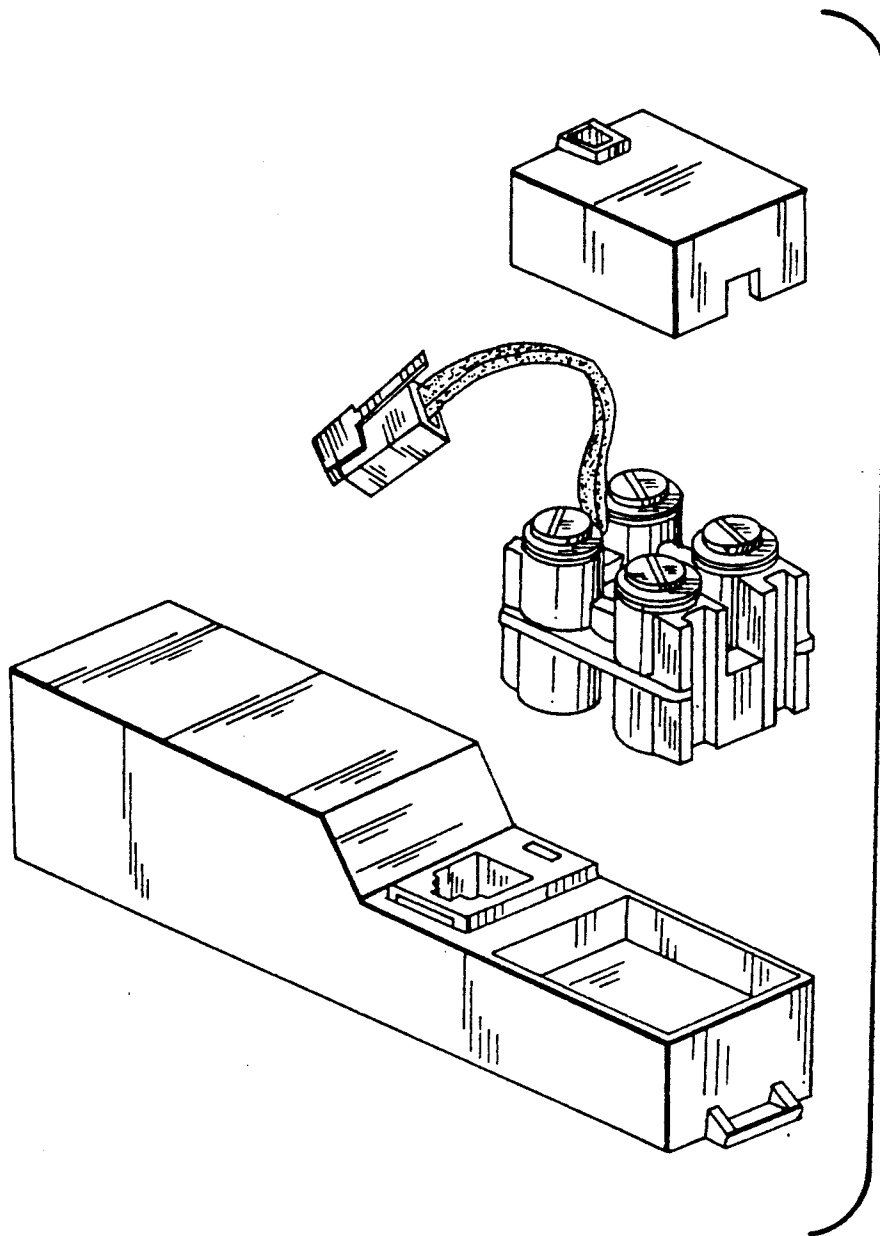


FIGURE 1

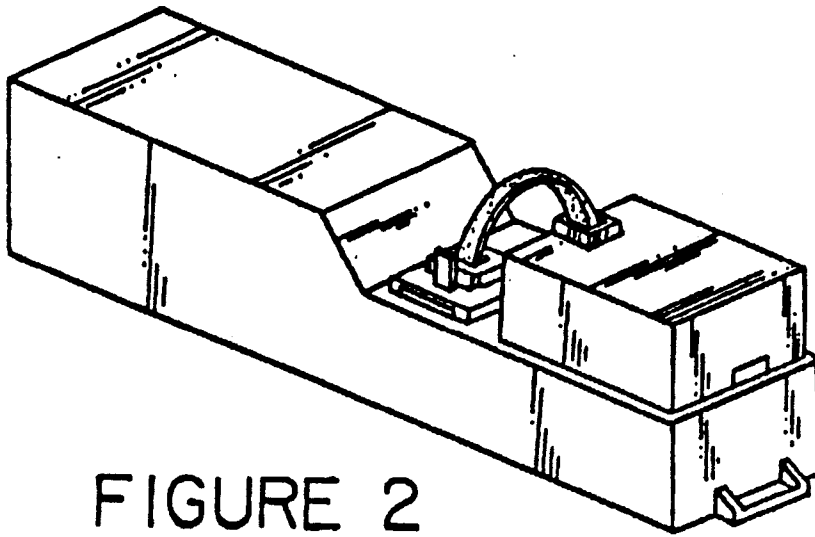


FIGURE 2

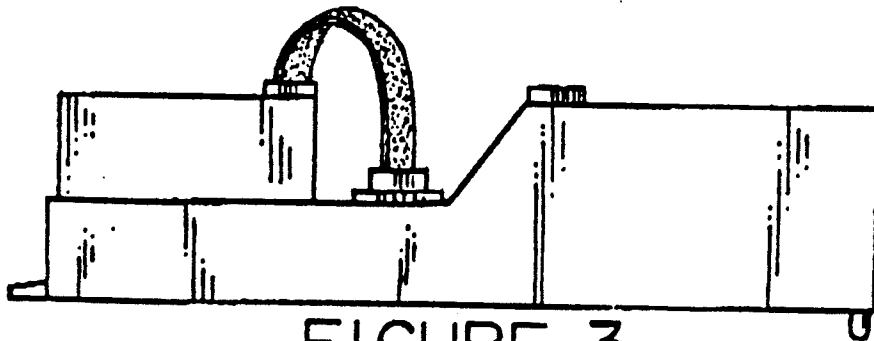


FIGURE 3

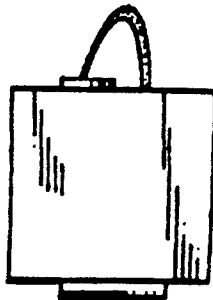


FIGURE 4