



US00D794692S

(12) **United States Design Patent**
Haranaka et al.

(10) **Patent No.:** **US D794,692 S**
(45) **Date of Patent:** **** Aug. 15, 2017**

(54) **ROBOT**

(71) Applicants: **Sharp Kabushiki Kaisha**, Osaka-shi,
Osaka (JP); **Kabushiki Kaisha Robo**
Garage, Otsu, Shiga (JP)

(72) Inventors: **Akira Haranaka**, Osaka (JP);
Yasuyuki Sugino, Osaka (JP);
Tomotaka Takahashi, Otsu (JP)

(73) Assignee: **Sharp Kabushiki Kaisha**, Osaka (JP)

(**) Term: **15 Years**

(21) Appl. No.: **29/554,520**

(22) Filed: **Feb. 12, 2016**

(30) **Foreign Application Priority Data**

Aug. 17, 2015 (JP) 2015-018028

(51) **LOC (10) Cl.** **15-99**

(52) **U.S. Cl.**
USPC **D15/199; D21/578**

(58) **Field of Classification Search**
USPC D15/199; D21/578-583, 621, 622
CPC . B25J 9/044; B25J 9/102; B25J 9/0078; B25J
15/0033; B25J 15/0038; B25J 15/0253;
B25J 18/00; B66C 1/42; G01N 35/0099;
G01N 2035/0405; Y10S 901/31
See application file for complete search history.

(56) **References Cited**

U.S. PATENT DOCUMENTS

D371,174 S *	6/1996	Tsai	D21/578
D453,199 S *	1/2002	Sawai	D21/578
D453,361 S *	2/2002	Tsai	D21/578
D460,131 S *	7/2002	Koshiishi	D21/578
D460,503 S *	7/2002	Koshiishi	D21/578
D534,971 S *	1/2007	Chung	D21/578
D536,010 S *	1/2007	Takahashi	D15/199

D541,353 S *	4/2007	Takahashi	D21/578
D550,735 S *	9/2007	Takahashi	D15/199
D574,404 S *	8/2008	Maisonnier	D15/199
D677,743 S *	3/2013	Koshiishi	D15/199
D696,324 S *	12/2013	Takahashi	D15/199
D712,983 S *	9/2014	Gan	D15/199
D715,380 S *	10/2014	Ito	A63H 3/00 D21/578

(Continued)

FOREIGN PATENT DOCUMENTS

JP	D1288358	12/2006
JP	D1330696	5/2008

(Continued)

OTHER PUBLICATIONS

English translations of Bibliographic data of the publications listed above (JP 001288358, JP 001330696, JP 001477914, KR 30-0637192001 and KR 30-06371920000).

Primary Examiner — Patricia Palasik
(74) *Attorney, Agent, or Firm* — Nixon & Vanderhye P.C.

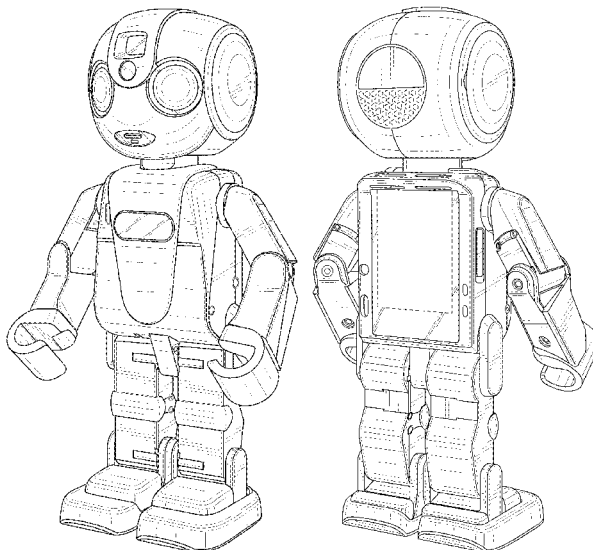
(57) **CLAIM**

The ornamental design for “robot,” as shown and described.

DESCRIPTION

FIG. 1 is a front, right perspective view of a robot in accordance with our new design;
FIG. 2 is a front elevation view thereof;
FIG. 3 is a rear elevation view thereof;
FIG. 4 is top plan view thereof;
FIG. 5 is a bottom plan view thereof;
FIG. 6 is a right-side elevation view thereof;
FIG. 7 is a left-side elevation view thereof; and,
FIG. 8 is a left, rear perspective view thereof.
The broken lines in the drawings depict unclaimed environmental subject matter.

1 Claim, 7 Drawing Sheets



(56)

References Cited

U.S. PATENT DOCUMENTS

8,892,257 B2 * 11/2014 Roh B25J 13/085
700/258
D719,620 S * 12/2014 Clerc B25J 5/007
D15/199
9,327,400 B2 * 5/2016 Serre B25J 9/161
9,334,002 B2 * 5/2016 Seo B62D 57/032
9,346,175 B2 * 5/2016 Krumbacher B25J 18/06
D774,148 S * 12/2016 Hong D21/578
2009/0149992 A1 * 6/2009 Ohno B25J 9/1664
700/253
2009/0321150 A1 * 12/2009 Kwon B25J 5/00
180/8.6

FOREIGN PATENT DOCUMENTS

JP D1477914 8/2013
KR 30-0637192000 3/2012
KR 30-0637192000 5/2012

* cited by examiner

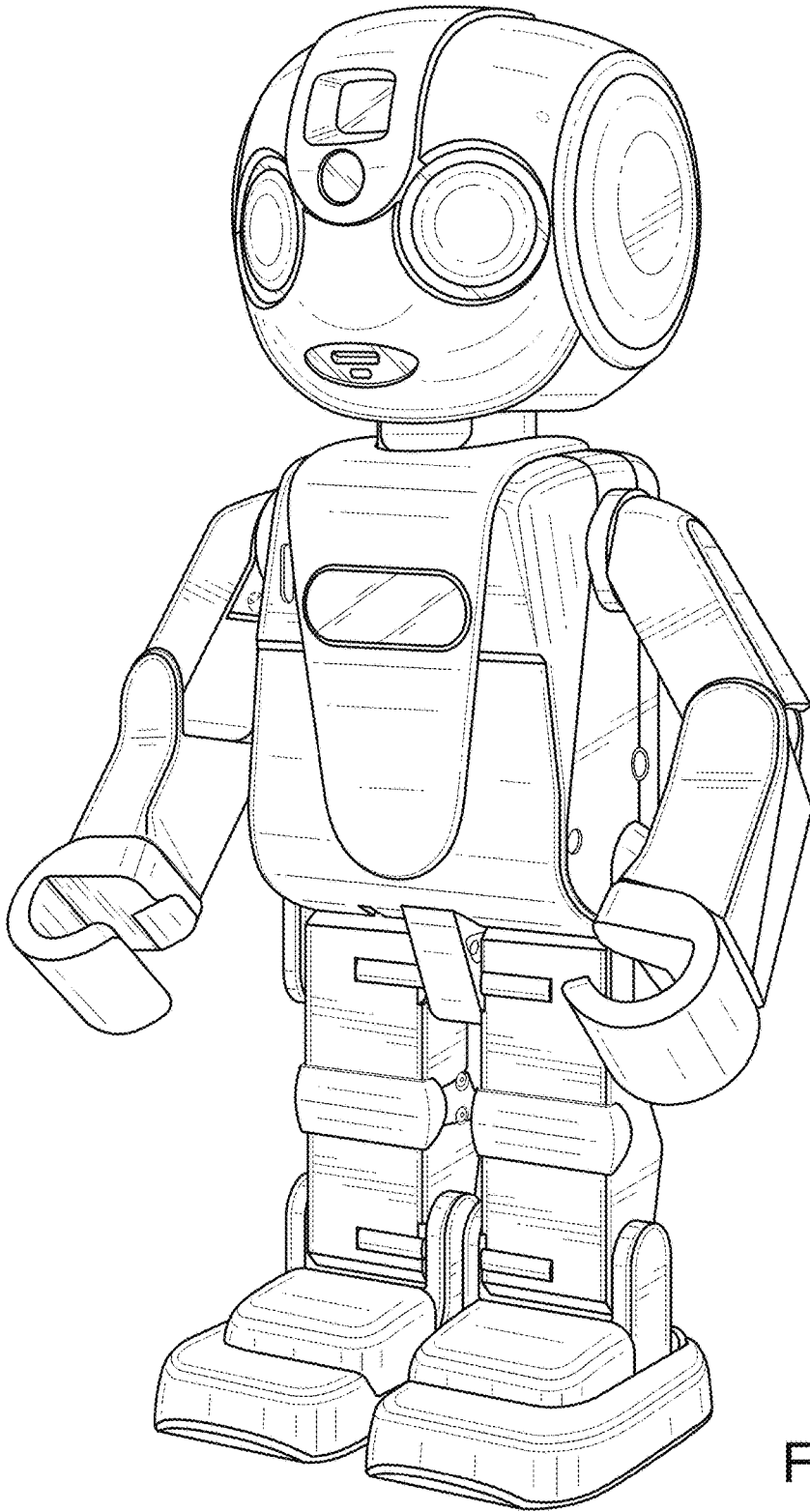


Fig. 1

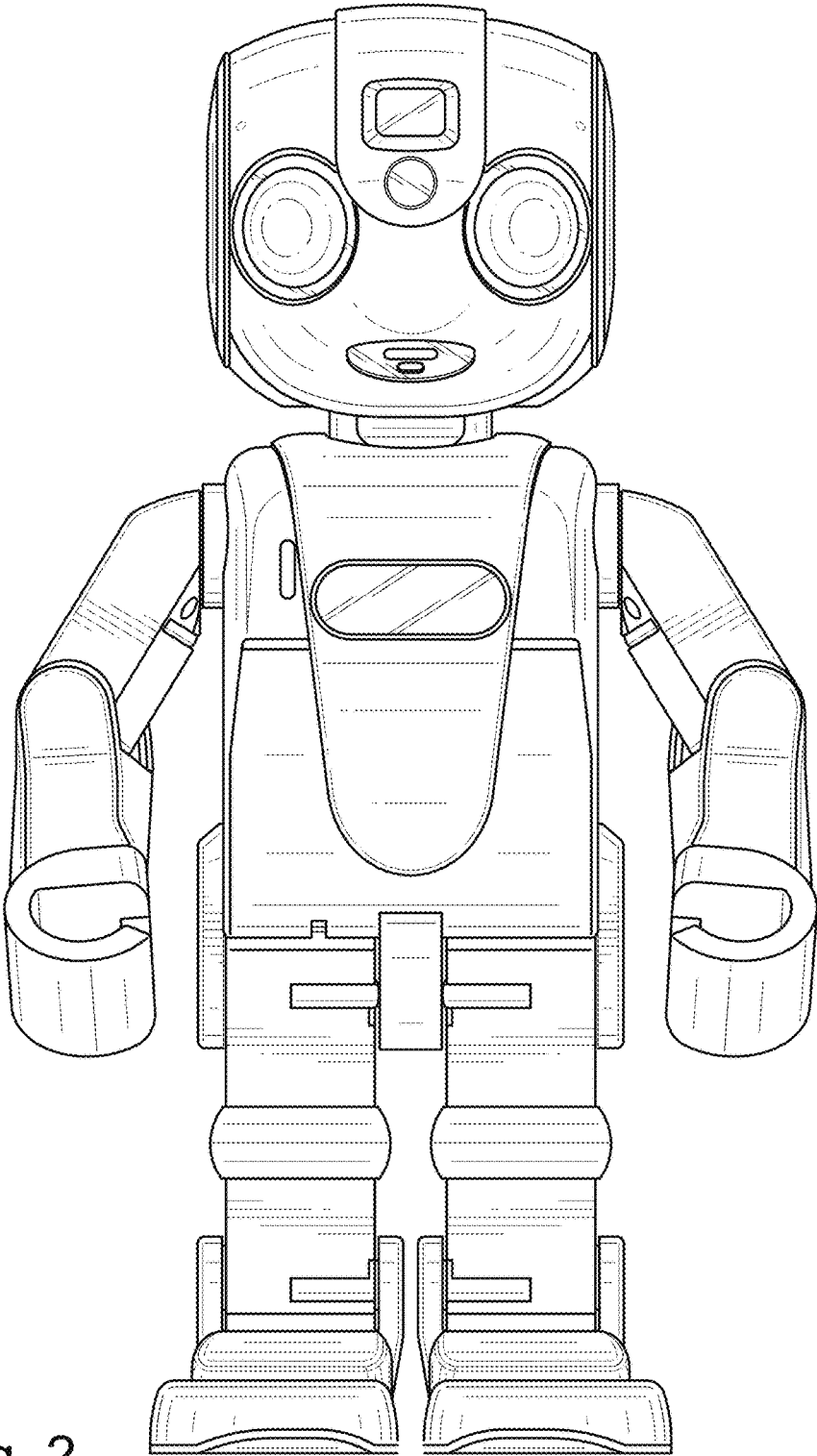


Fig. 2

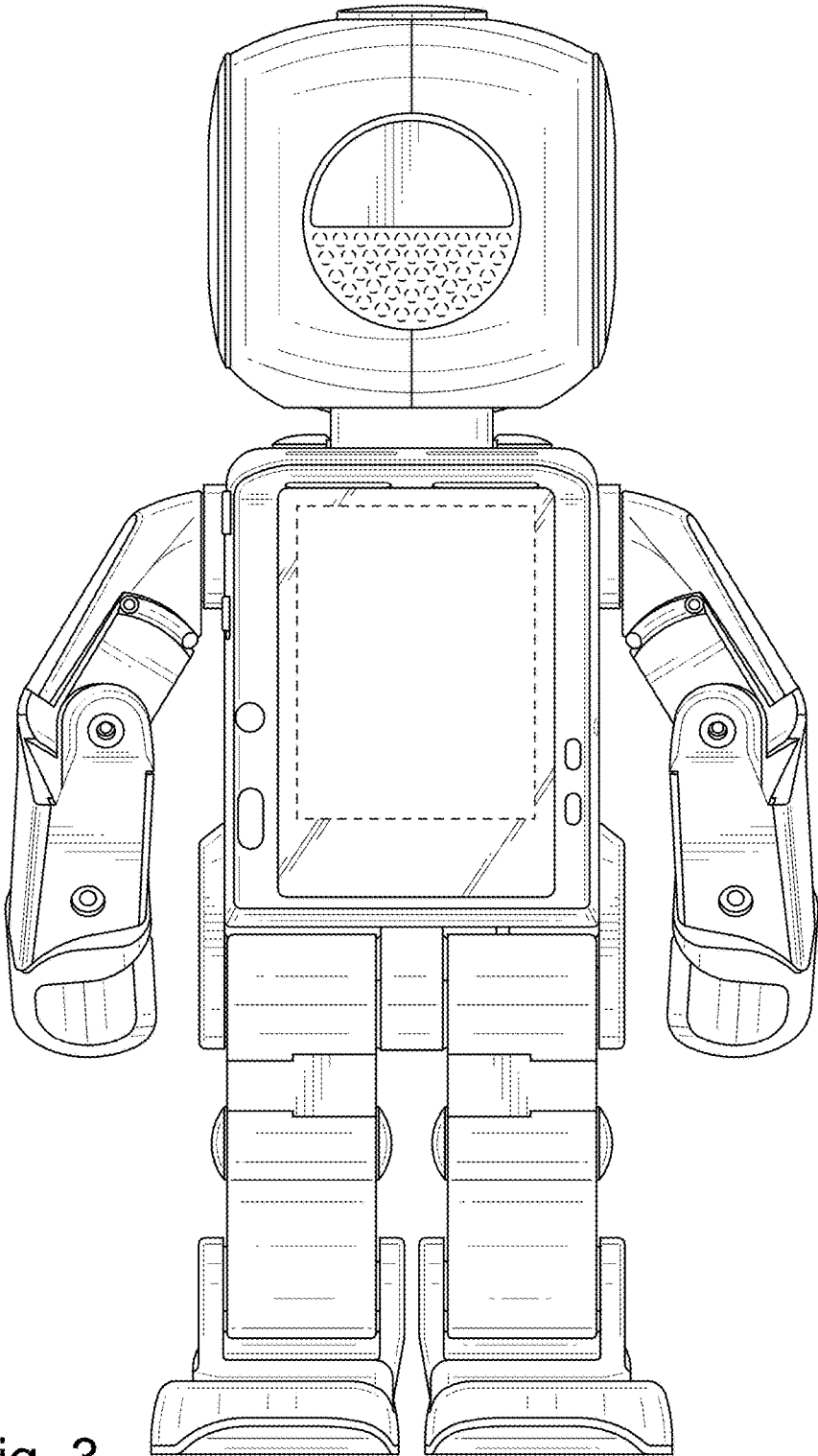


Fig. 3

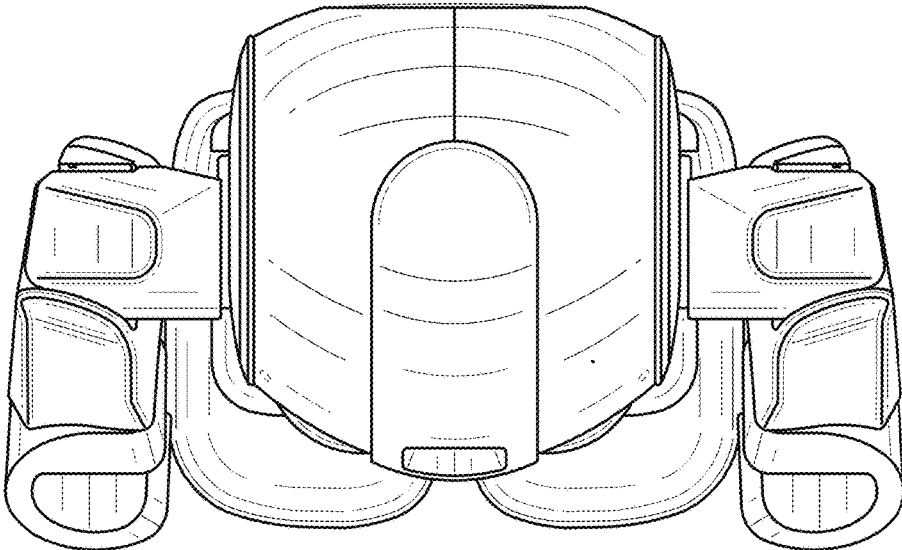


Fig. 4

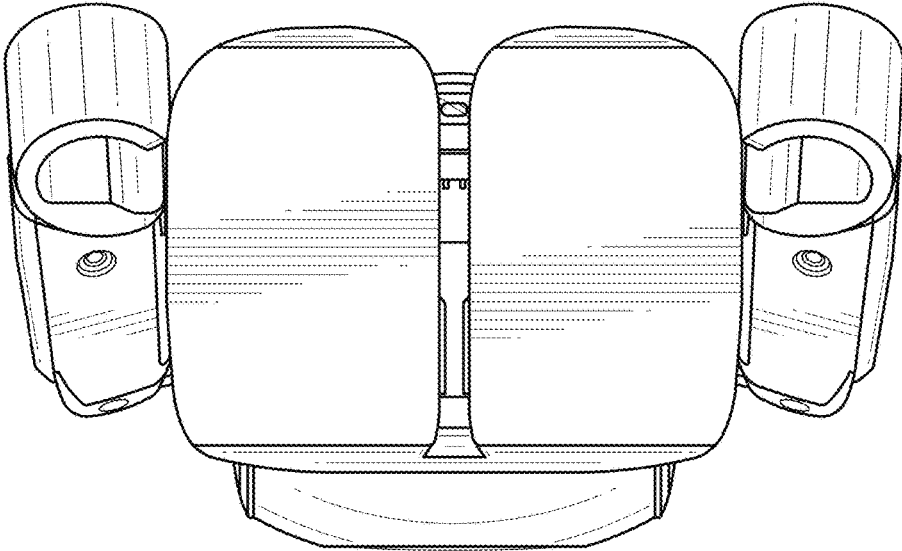


Fig. 5

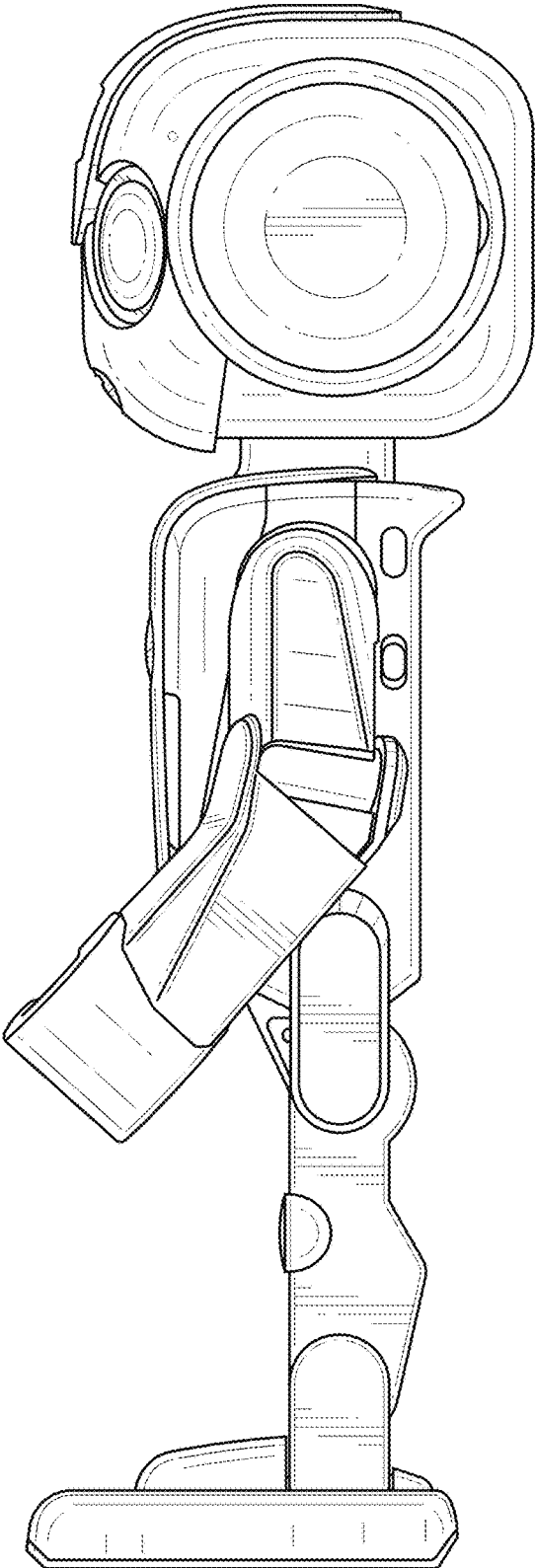


Fig. 6

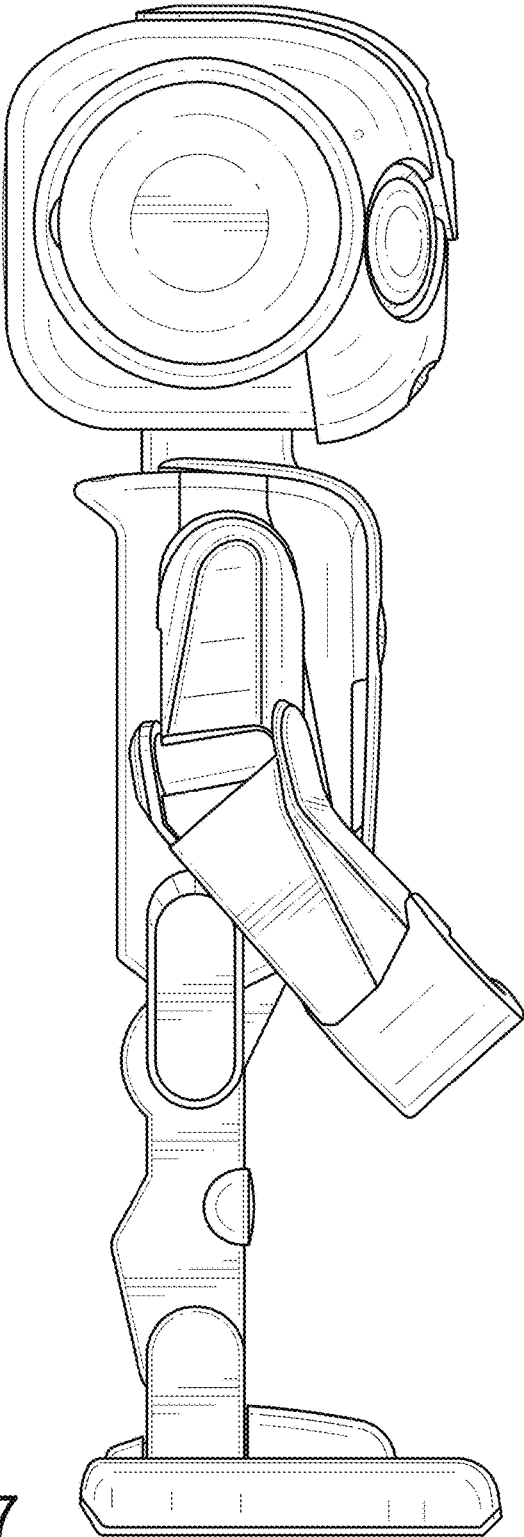


Fig. 7

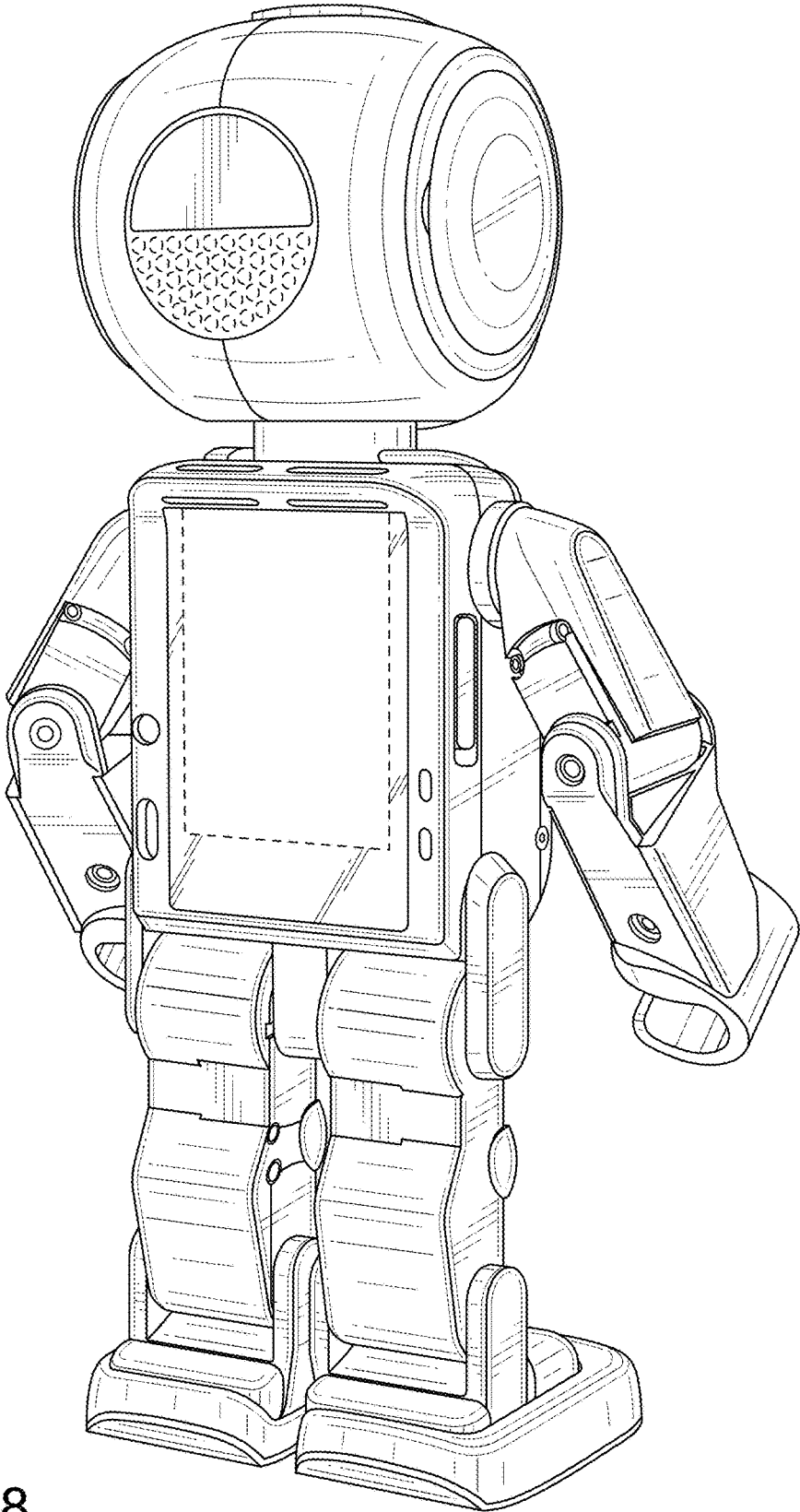


Fig. 8