



US00D828832S

(12) **United States Design Patent**
Wang

(10) **Patent No.:** **US D828,832 S**

(45) **Date of Patent:** **** Sep. 18, 2018**

(54) **WEARABLE DEVICE**

(71) Applicant: **HUAWEI TECHNOLOGIES CO., LTD.**, Shenzhen (CN)

(72) Inventor: **Xudong Wang**, Shenzhen (CN)

(73) Assignee: **Huawei Technologies Co., Ltd.** (CN)

(**) Term: **15 Years**

(21) Appl. No.: **29/549,944**

(22) Filed: **Dec. 29, 2015**

(30) **Foreign Application Priority Data**

Jun. 30, 2015 (CN) 2015 3 0226327

(51) **LOC (11) Cl.** **14-02**

(52) **U.S. Cl.**
USPC **D14/344**

(58) **Field of Classification Search**
USPC D14/344, 138 R, 144, 358; D24/167, D24/169, 186-187; D11/3, 93-94; D10/30-39, 70, 98; 379/433.1; 361/679.03

CPC G06F 1/163; G06F 1/1628; G06F 1/1626; G06F 1/1635; G06F 1/08; G06F 1/10; G06F 1/04; G06F 1/14; G06F 1/3203; A41D 1/002; H04M 1/02; H04M 1/03; H04M 1/04; H04M 1/05; H04M 1/667; H04M 1/6058; Y02B 60/12; H04B 1/385; H04B 1/3888; H04B 1/3833; G06Q 20/10; G06Q 20/108; G06Q 20/12; G06Q 20/145

See application file for complete search history.

(56) **References Cited**

U.S. PATENT DOCUMENTS

3,427,800 A * 2/1969 Blum G04B 19/283 368/223
5,255,248 A * 10/1993 Goodmon G04B 19/28 368/108

D355,613 S * 2/1995 Takani D10/30
D381,584 S * 7/1997 Kennedy D10/30
D382,815 S * 8/1997 Riley D10/30

(Continued)

FOREIGN PATENT DOCUMENTS

CN 301299806 S 8/2010
CN 301640319 S 8/2011

(Continued)

OTHER PUBLICATIONS

Google's smartwatches get one critical thing wrong, posted Oct. 1, 2015, [retrieved Jun. 24, 2017]. Retrieved from Internet, <URL: <http://www.businessinsider.com/android-wear-notifications-are-bad-on-smartwatches-2015-9>>.*

(Continued)

Primary Examiner — Barbara Fox
Assistant Examiner — Kristin E Reed
(74) *Attorney, Agent, or Firm* — Design IP

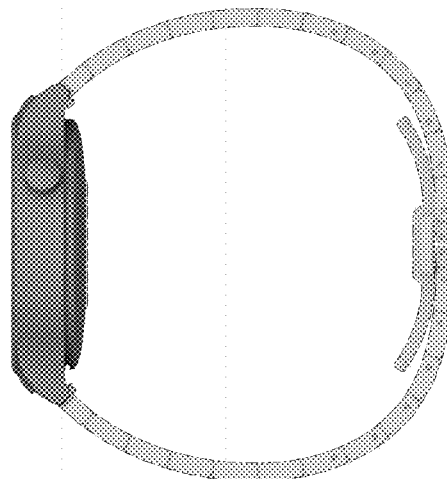
(57) **CLAIM**

The ornamental design for a wearable device, as shown and described.

DESCRIPTION

FIG. 1 is a perspective view of a wearable device showing my new design;
FIG. 2 is a front view thereof;
FIG. 3 is a rear view thereof;
FIG. 4 is a left side view thereof;
FIG. 5 is a right side view thereof;
FIG. 6 is a top view thereof; and,
FIG. 7 is a bottom view thereof.
The dash-dot lines in the figures and the areas within the dash-dot lines show portions of the wearable device that form no part of the claimed design.

1 Claim, 7 Drawing Sheets



(56)

References Cited

U.S. PATENT DOCUMENTS

D433,949	S	*	11/2000	Helleu	D10/30
D599,680	S	*	9/2009	Schoepfer	D10/32
D600,145	S	*	9/2009	Schoepfer	D10/38
D624,442	S	*	9/2010	Clerc	D10/38
D630,530	S	*	1/2011	Nunes	D10/38
D658,518	S	*	5/2012	Behling	D10/39
D672,664	S	*	12/2012	Monachon	D10/32
D707,572	S	*	6/2014	Calvani	D10/39
D714,661	S	*	10/2014	Calvani	D10/39
D726,676	S	*	4/2015	Park	D10/38
D742,260	S	*	11/2015	Park	D10/30
D751,929	S	*	3/2016	Ette	D10/126
D767,566	S	*	9/2016	Morgenroth	D14/344
D768,512	S	*	10/2016	Ruffieux	D10/32

FOREIGN PATENT DOCUMENTS

CN	302121778	S	10/2012
CN	302942775	S	9/2014
CN	303067873	S	1/2015

JP	D1263858	2/2006
JP	D1293592	2/2007
JP	D1321959	2/2008
JP	D1435606	S 3/2012
WO	DM0729490002	2/2010

OTHER PUBLICATIONS

Alcatel OneTouch's new device family has a pretty tempting smartwatch, posted Sep. 4, 2014, [retrieved Jun. 24, 2017]. Retrieved from Internet, <URL: <https://www.engadget.com/2014/09/04/alcatel-hero-2-hero-8-smartwatch/>>.*

Thread: What can you tell me about Rip Curl watches?, posted Sep. 30, 2012, [retrieved Jun. 24, 2017]. Retrieved from Internet, <URL: <http://forums.watchuseek.com/f71/what-can-you-tell-me-about-rip-curl-watches-755833.html>>.*

Rolex Datejust II and Rolex Day-Date II Watch Reviews p. 3, posted Jul. 8, 2013, [retrieved Jul. 23, 2017]. Retrieved from Internet, <URL: <http://www.ablogtowatch.com/rolex-datejust-ii-watch-review/3/>>.*

* cited by examiner



FIG. 1



FIG. 2

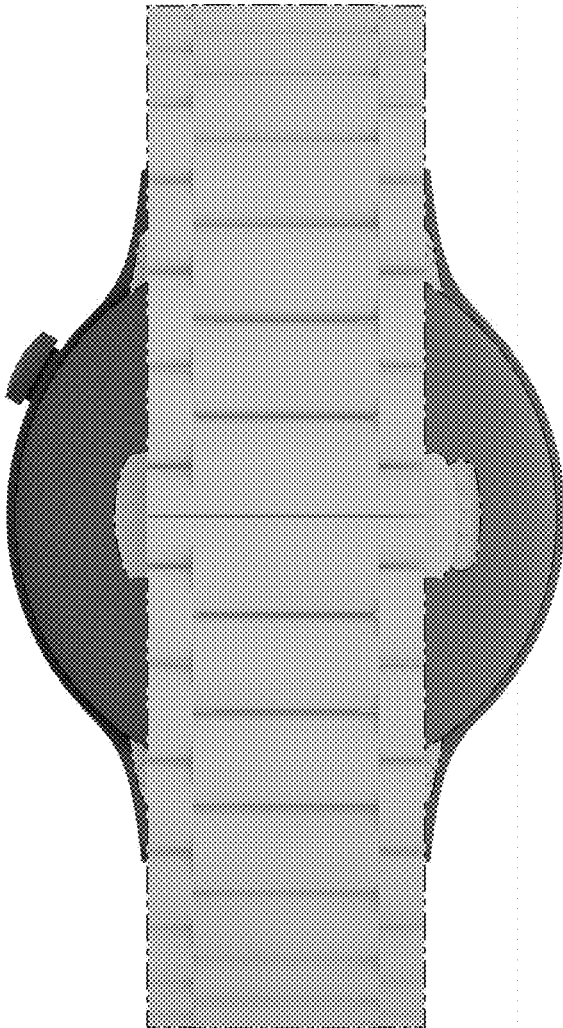


FIG. 3

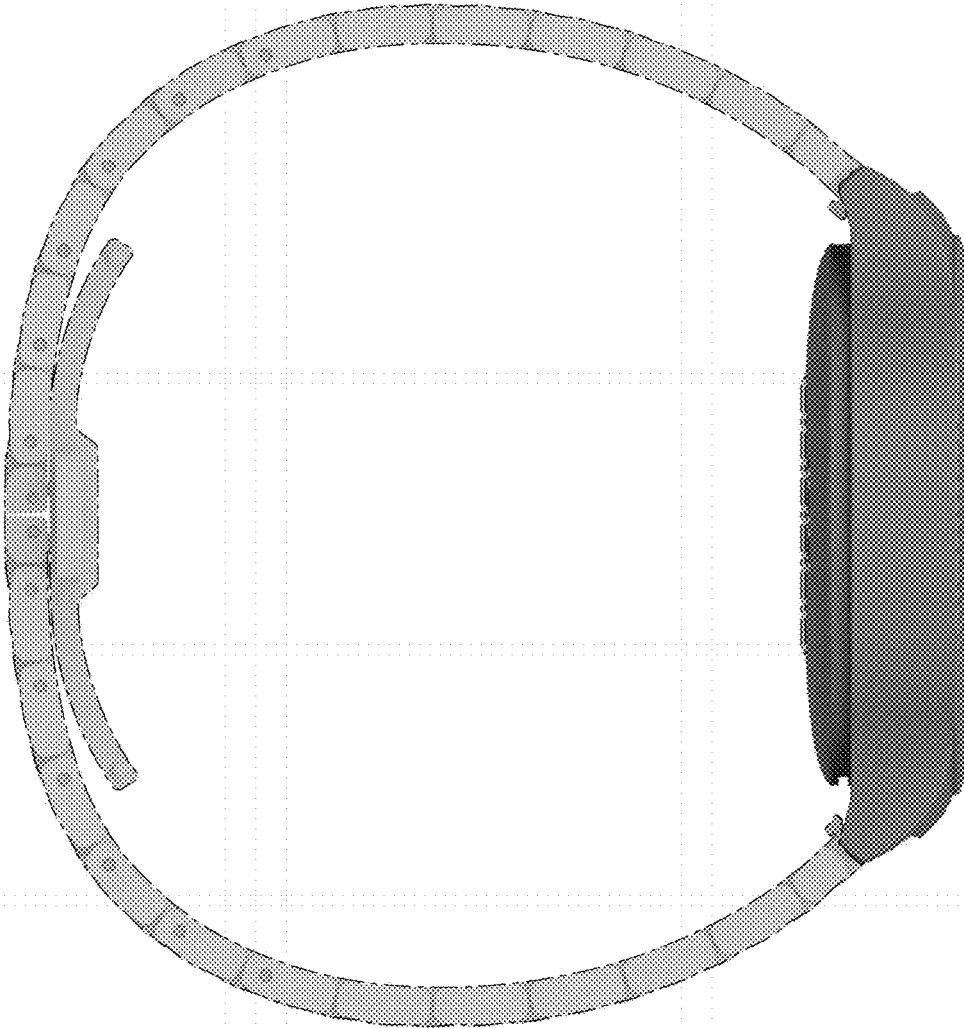


FIG. 4

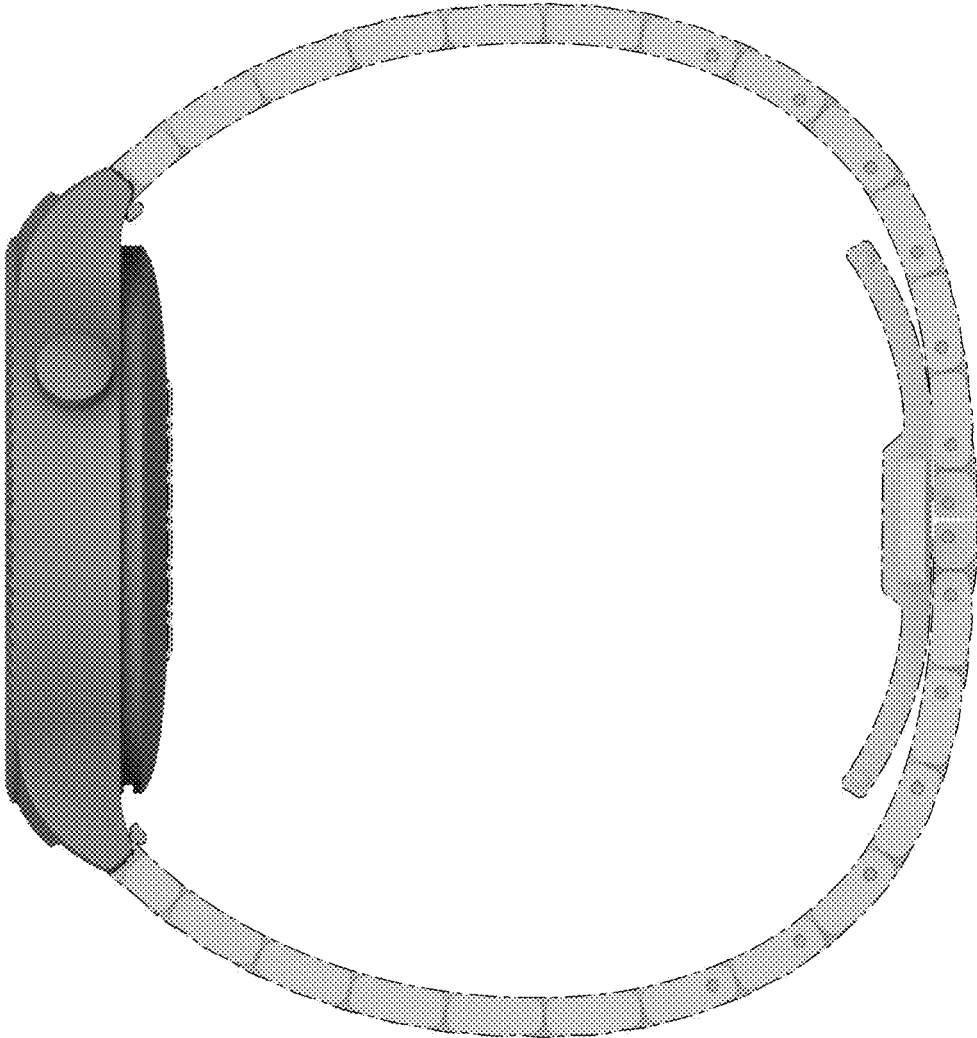


FIG. 5

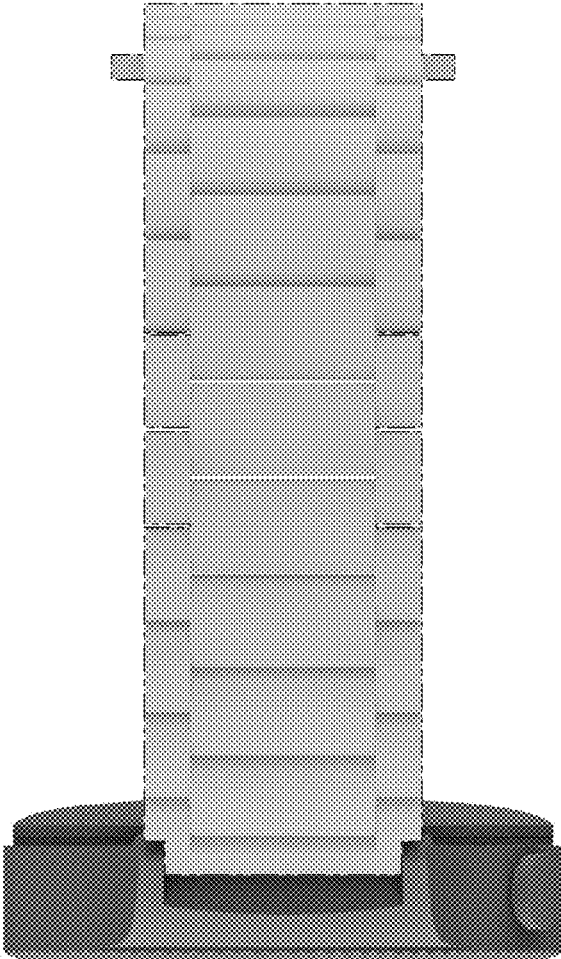


FIG. 6

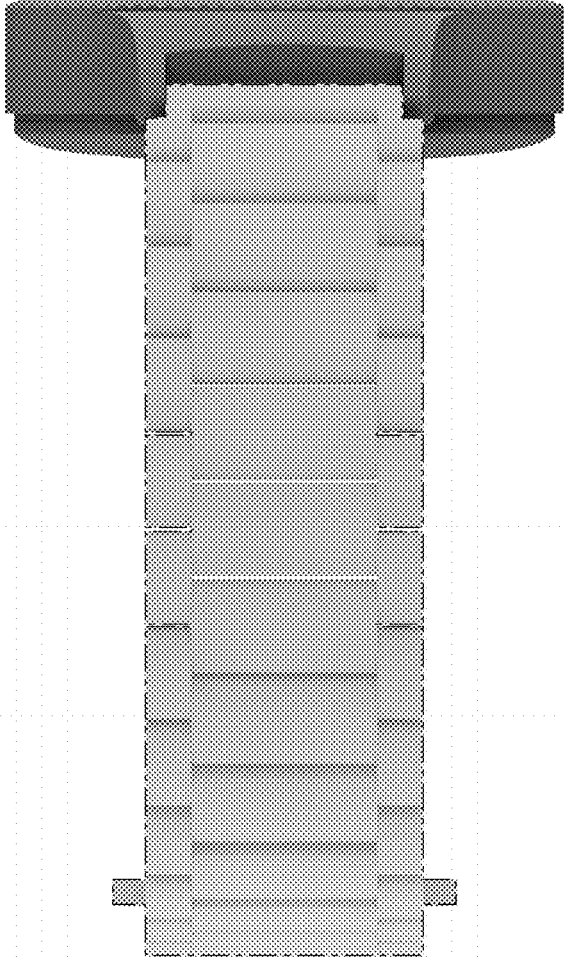


FIG. 7