



US00D710645S

(12) **United States Design Patent**
Kim et al.

(10) **Patent No.:** **US D710,645 S**

(45) **Date of Patent:** **** Aug. 12, 2014**

(54) **ELECTRIC OVEN RANGE**
(71) Applicant: **LG Electronics Inc.**, Seoul (KR)
(72) Inventors: **Soo Yeon Kim**, Seoul (KR); **Jae Hun Chung**, Seoul (KR); **So Jin Park**, Seoul (KR); **Seon Il Yu**, Seoul (KR)
(73) Assignee: **LG Electronics Inc.**, Seoul (KR)
(**) Term: **14 Years**
(21) Appl. No.: **29/466,195**
(22) Filed: **Sep. 5, 2013**

(30) **Foreign Application Priority Data**
Mar. 6, 2013 (KR) 30-2013-0011429
(51) **LOC (10) Cl.** **07-02**
(52) **U.S. Cl.** **D7/340**
(58) **Field of Classification Search**
USPC D7/323, 339, 340, 341, 342, 346, 347, D7/348, 349, 402-409, 387; 126/1 R, 19 R, 126/39 R, 39 J, 39 E, 41 R, 211, 273 R, 198, 126/152 R, 214 A, 214 C, 215-218, 39 A, 126/299 D; 219/460.1-464.1, 506, 219/621-624, 627, 480, 483, 445.1, 660, 219/665, 448.1, 452.12, 538, 552; 307/104; 99/339, 340, 342; 432/176
See application file for complete search history.

(56) **References Cited**
U.S. PATENT DOCUMENTS
4,020,821 A * 5/1977 Reid et al. 126/39 E
4,024,839 A * 5/1977 Reid et al. 126/39 J

4,869,231 A * 9/1989 Rice et al. 126/214 R
D375,867 S * 11/1996 Sparks D7/340
D521,317 S * 5/2006 Hessen et al. D7/405
D536,208 S * 2/2007 Ostlund et al. D7/340
D536,568 S * 2/2007 Ostlund et al. D7/340
D555,976 S * 11/2007 Baldwin D7/405
D564,282 S * 3/2008 Suh et al. D7/340
D604,987 S * 12/2009 Jung et al. D7/348
D612,678 S * 3/2010 Baker et al. D7/405
D612,680 S * 3/2010 Baker et al. D7/405
D612,683 S * 3/2010 Baker et al. D7/405
D612,685 S * 3/2010 Baker et al. D7/405
7,766,005 B2 * 8/2010 Lee et al. 126/39 J
7,878,189 B2 * 2/2011 Lee et al. 126/299 D

* cited by examiner

Primary Examiner — Martie K Holtje
(74) *Attorney, Agent, or Firm* — Birch, Stewart, Kolasch & Birch, LLP

(57) **CLAIM**
We claim the ornamental design for an electric oven range, as shown and described.

DESCRIPTION
FIG. 1 is a perspective view of an electric oven range showing the new design;
FIG. 2 is a front elevation view thereof;
FIG. 3 is a rear elevation view thereof;
FIG. 4 is a left-side elevation view thereof;
FIG. 5 is a right-side elevation view thereof;
FIG. 6 is a top plan view thereof; and
FIG. 7 is a bottom plan view thereof.
The structural elements depicted by broken lines in FIG. 7 have been shown for the purpose of illustrating portions of the electric oven range that form no part of the claimed design. The broken lines in FIG. 3 represent boundaries, the areas within which form no part of the claimed design.

1 Claim, 6 Drawing Sheets

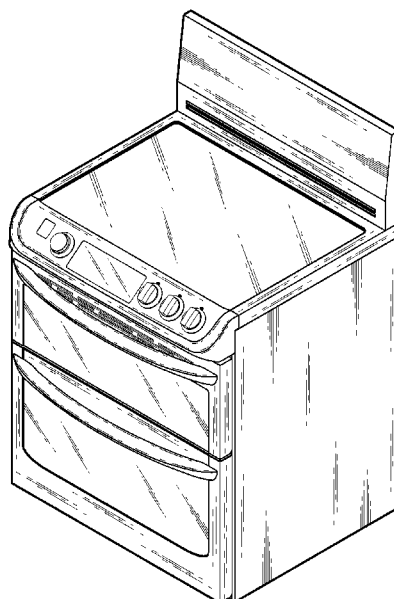


FIG. 1

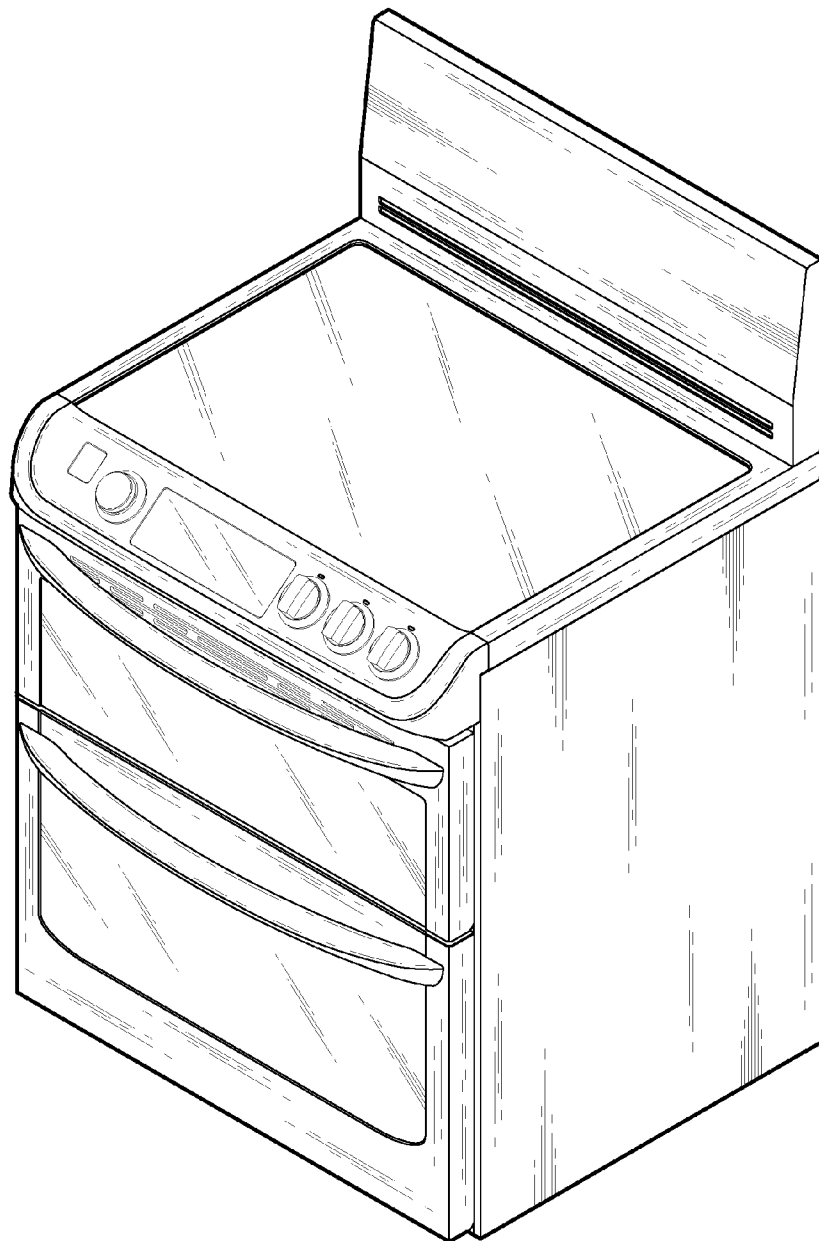


FIG. 2

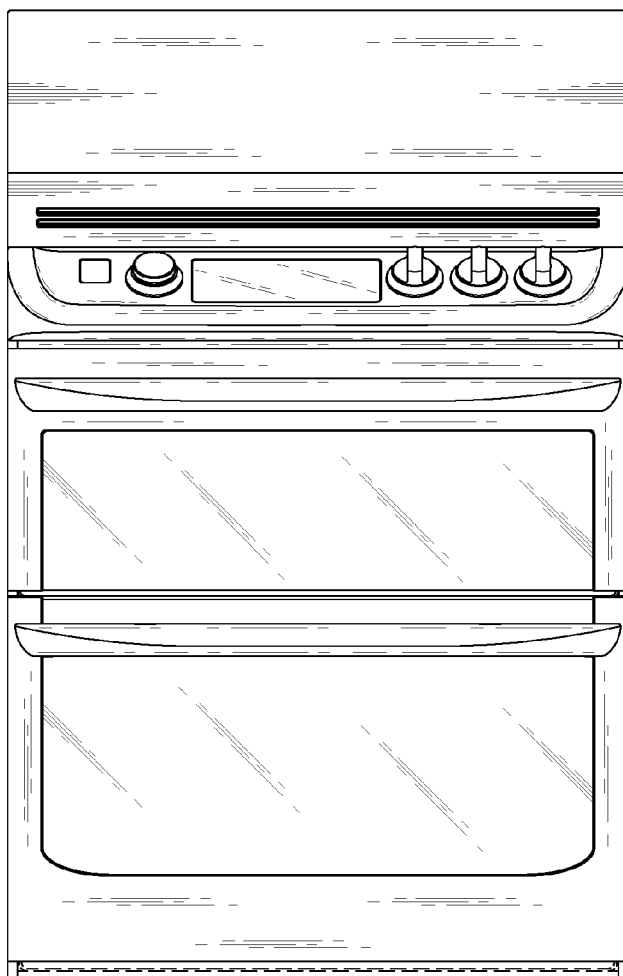


FIG. 3

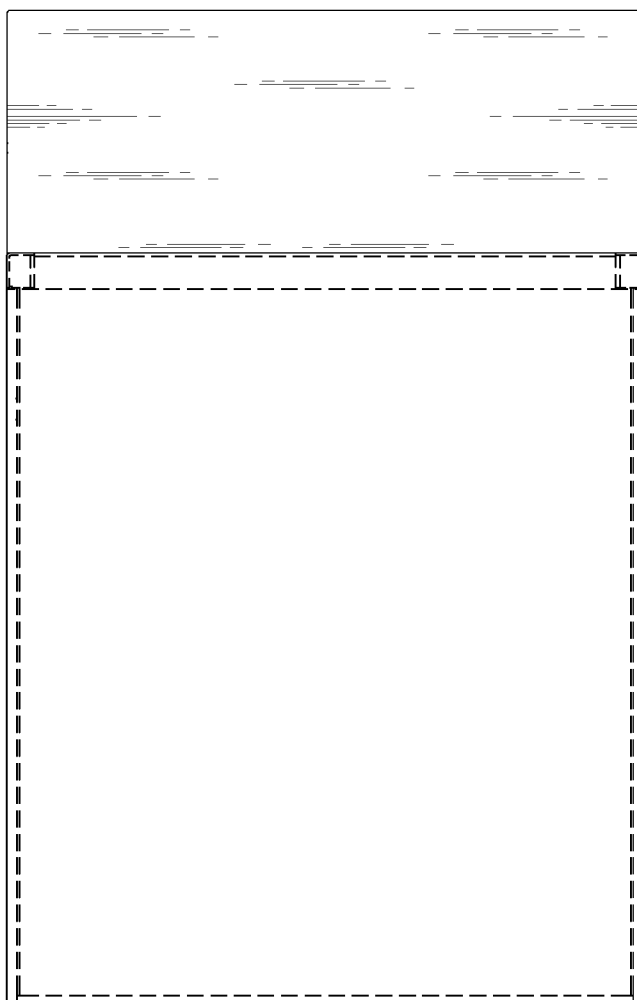


FIG. 4

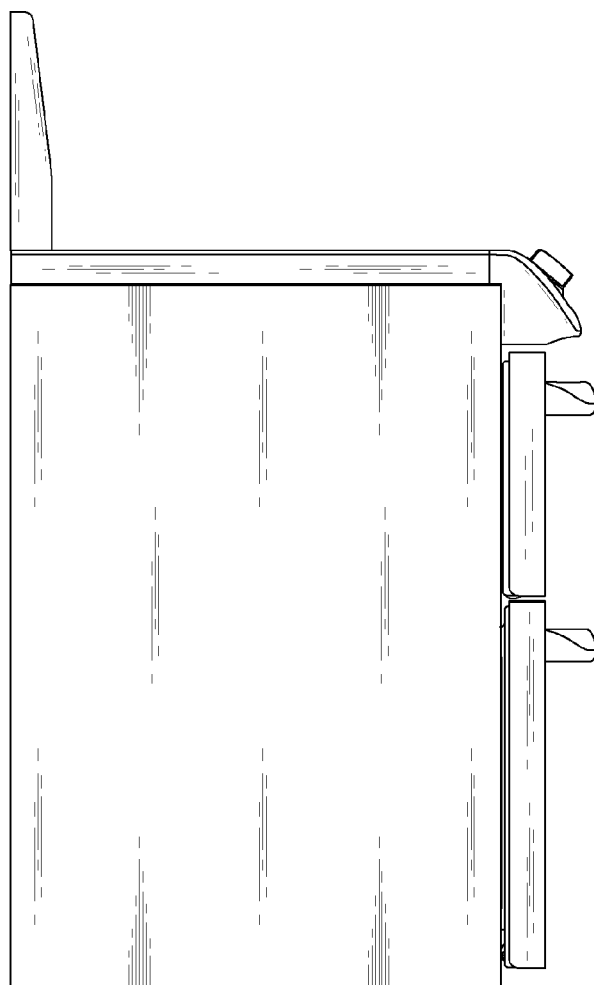


FIG. 5

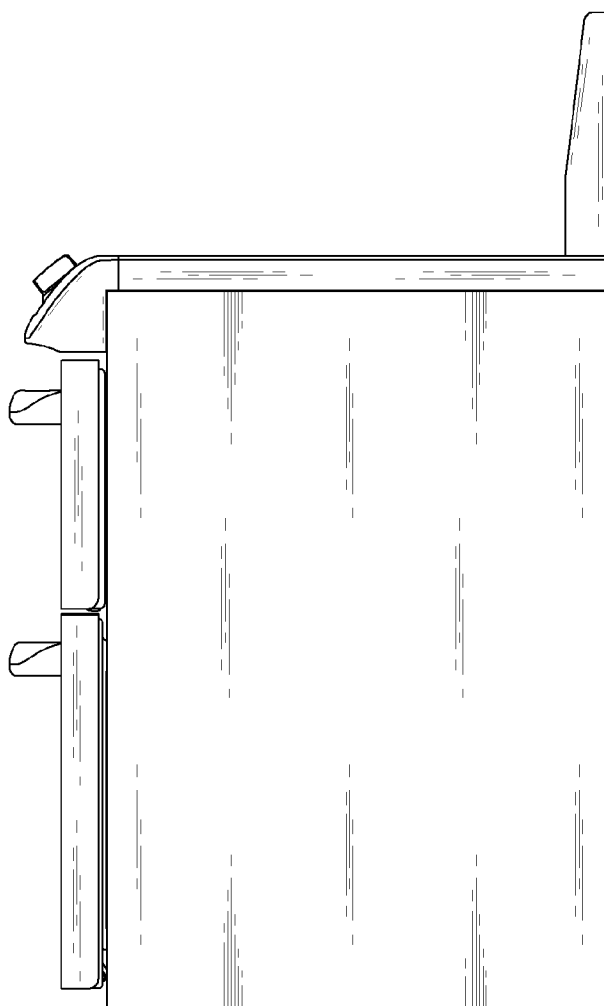


FIG. 6

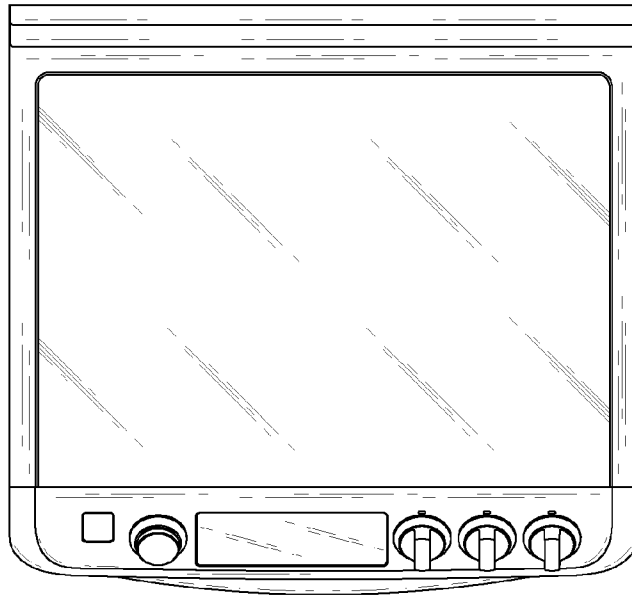


FIG. 7

