

(19) World Intellectual Property Organization
International Bureau



(43) International Publication Date
22 July 2004 (22.07.2004)

PCT

(10) International Publication Number
WO 2004/061551 A3

- (51) International Patent Classification:
G06Q 40/00 (2006.01) G06F 11/08 (2006.01)
- (21) International Application Number:
PCT/US2003/027727
- (22) International Filing Date:
4 September 2003 (04.09.2003)
- (25) Filing Language: English
- (26) Publication Language: English
- (30) Priority Data:
60/434,712 18 December 2002 (18.12.2002) US
10/636,864 7 August 2003 (07.08.2003) US
- (71) Applicant: BITFONE CORPORATION [US/US];
32451 Golden Lantern, Suite 301, Laguna Niguel, CA
92677 (US).
- (72) Inventor: RAO, Bindu, Rama; 21 Henley Drive, Laguna
Niguel, CA 92677 (US).
- (74) Agent: BORG, Kevin, E.; McAndrews, Held & Malloy,
Ltd., 500 West Madison Street, 34th Floor, Chicago, IL
60661 (US).

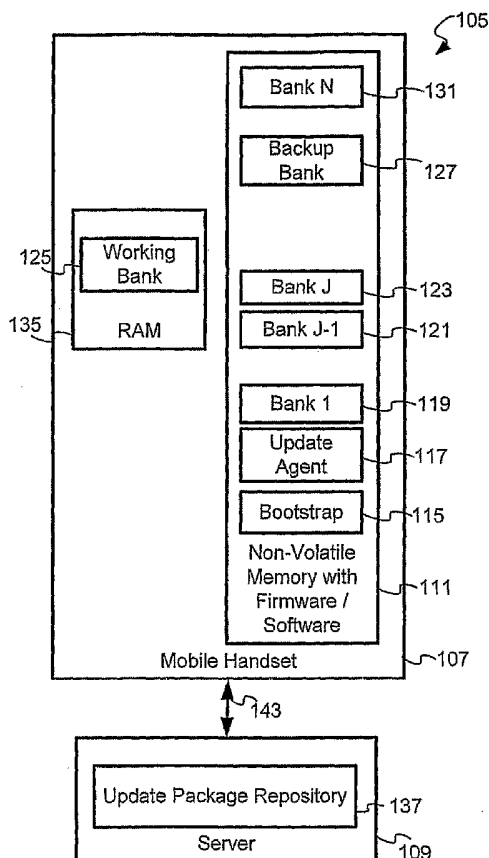
- (81) Designated States (national): AE, AG, AL, AM, AT, AU, AZ, BA, BB, BG, BR, BY, BZ, CA, CH, CN, CO, CR, CU, CZ, DE, DK, DM, DZ, EC, EE, ES, FI, GB, GD, GE, GH, GM, HR, HU, ID, IL, IN, IS, JP, KE, KG, KP, KR, KZ, LC, LK, LR, LS, LT, LU, LV, MA, MD, MG, MK, MN, MW, MX, MZ, NI, NO, NZ, OM, PG, PH, PL, PT, RO, RU, SC, SD, SE, SG, SK, SL, SY, TJ, TM, TN, TR, TT, TZ, UA, UG, UZ, VC, VN, YU, ZA, ZM, ZW.
- (84) Designated States (regional): ARIPO patent (GH, GM, KE, LS, MW, MZ, SD, SL, SZ, TZ, UG, ZM, ZW), Eurasian patent (AM, AZ, BY, KG, KZ, MD, RU, TJ, TM), European patent (AT, BE, BG, CH, CY, CZ, DE, DK, EE, ES, FI, FR, GB, GR, HU, IE, IT, LU, MC, NL, PT, RO, SE, SI, SK, TR), OAPI patent (BF, BJ, CF, CG, CI, CM, GA, GN, GQ, GW, ML, MR, NE, SN, TD, TG).

Published:

- with international search report
- before the expiration of the time limit for amending the claims and to be republished in the event of receipt of amendments

[Continued on next page]

(54) Title: MOBILE HANDSET WITH A FAULT TOLERANT UPDATE AGENT



(57) Abstract: Methods for updating an electronic device having a non-volatile memory are disclosed. An embodiment of the present invention may permit the update of an electronic device from a first code version to a second code version using a fault-tolerant, bank-by-bank method. An update package comprising update instructions may be received via a public and/or wireless network, and the update instructions may be used to convert the first code version to the second code version. The bank order of the conversion may be specified in the update package, and may be non-sequential.

WO 2004/061551 A3



(88) Date of publication of the international search report:

31 August 2006

For two-letter codes and other abbreviations, refer to the "Guidance Notes on Codes and Abbreviations" appearing at the beginning of each regular issue of the PCT Gazette.

INTERNATIONAL SEARCH REPORT

International application No.

PCT/US03/27727

A. CLASSIFICATION OF SUBJECT MATTER

IPC: G06Q 40/00(2006.01)
G06F 11/08(2006.01)

USPC: 705/39,40,42;714/6;707/203

According to International Patent Classification (IPC) or to both national classification and IPC

B. FIELDS SEARCHED

Minimum documentation searched (classification system followed by classification symbols)
U.S. : 705/39,40,42; 714/6; 707/203

Documentation searched other than minimum documentation to the extent that such documents are included in the fields searched
NONE

Electronic data base consulted during the international search (name of data base and, where practicable, search terms used)
WEST, DIALOG

C. DOCUMENTS CONSIDERED TO BE RELEVANT

Category *	Citation of document, with indication, where appropriate, of the relevant passages	Relevant to claim No.
A,P	US 2002/0099950 A1 (SMITH) 25 July 2002 (25.07.2002), entire document.	1-33
A,P	US 2002/0131404 A1 (MEHTA et al) 19 September 2002 (19.09.2002), entire document.	1-33
A,P	US 2002/0188886 A1 (LIU et al) 12 December 2002 (12.12.2002), entire document.	1-33

Further documents are listed in the continuation of Box C. See patent family annex.

* Special categories of cited documents:	"T"
"A" document defining the general state of the art which is not considered to be of particular relevance	later document published after the international filing date or priority date and not in conflict with the application but cited to understand the principle or theory underlying the invention
"E" earlier application or patent published on or after the international filing date	"X" document of particular relevance; the claimed invention cannot be considered novel or cannot be considered to involve an inventive step when the document is taken alone
"L" document which may throw doubts on priority claim(s) or which is cited to establish the publication date of another citation or other special reason (as specified)	"Y" document of particular relevance; the claimed invention cannot be considered to involve an inventive step when the document is combined with one or more other such documents, such combination being obvious to a person skilled in the art
"O" document referring to an oral disclosure, use, exhibition or other means	"&" document member of the same patent family
"P" document published prior to the international filing date but later than the priority date claimed	

Date of the actual completion of the international search: 23 June 2006 (23.06.2006)
Date of mailing of the international search report: 20 JUL 2006

Name and mailing address of the ISA/US: Mail Stop PCT, Attn: ISA/US, Commissioner of Patents, P.O. Box 1450, Alexandria, Virginia 22313-1450
Facsimile No. (571) 273-3201
Authorized officer: Hani Kazimi
Telephone No. (571) 272-6745