

(19) World Intellectual Property Organization
International Bureau



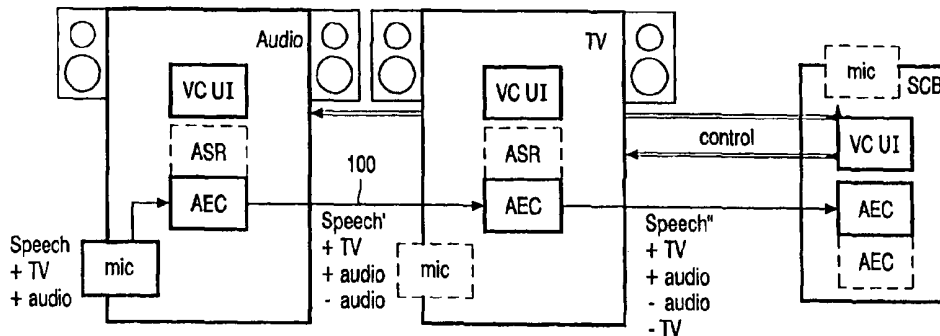
(43) International Publication Date
21 February 2002 (21.02.2002)

PCT

(10) International Publication Number
WO 02/15169 A1

- (51) International Patent Classification⁷: **G10L 21/02** (74) Agent: **HOEKSTRA, Jelle**: Internationaal Octrooibureau B.V., Prof Holstlaan 6, NL-5656 AA Eindhoven (NL).
- (21) International Application Number: PCT/EP01/08929
- (22) International Filing Date: 2 August 2001 (02.08.2001) (81) Designated States (national): CN, JP, KR.
- (25) Filing Language: English (84) Designated States (regional): European patent (AT, BE, CH, CY, DE, DK, ES, FI, FR, GB, GR, IE, IT, LU, MC, NL, PT, SE, TR).
- (26) Publication Language: English
- (30) Priority Data: 00202856.1 15 August 2000 (15.08.2000) EP
Published:
— with international search report
— before the expiration of the time limit for amending the claims and to be republished in the event of receipt of amendments
- (71) Applicant: **KONINKLIJKE PHILIPS ELECTRONICS N.V.** [NL/NL]; Groenewoudseweg 1, NL-5621 BA Eindhoven (NL).
- (72) Inventor: **KAUFHOLZ, Paul, A., P.**; Prof. Holstlaan 6, NL-5656 AA Eindhoven (NL).
- For two-letter codes and other abbreviations, refer to the "Guidance Notes on Codes and Abbreviations" appearing at the beginning of each regular issue of the PCT Gazette.*

(54) Title: MULTI-DEVICE AUDIO-VIDEO WITH COMMON ECHO CANCELING



(57) Abstract: A multi-device audio-video system contains speech recognizing facilities and echo canceling facilities. In particular, plural and functionally separate such speech recognizing facilities and echo canceling facilities are present. Now, the echo canceling facilities combine their forces for by one or more thereof canceling one or more mutually unique cancelable speech entities and combining such cancelled entities for overall non-recognition by the system.



WO 02/15169 A1

MULTI-DEVICE AUDIO-VIDEO WITH COMMON ECHO CANCELING

BACKGROUND OF THE INVENTION

The invention relates to a method for operating a multi-device audio-video system that contains speech recognizing and echo canceling facilities. More in particular, the invention relates to a method as recited in the preamble of Claim 1. Now, speech recognition
5 has gotten in wide use, such including applications in consumer systems for the general market. The echo canceling in this respect functions on an operational level in that a particular device will not recognize speech that it is presently producing itself. A human or other external user must nevertheless receive the full spectral sound being produced by the device. Thus, the canceling is effected internally in the device, whereby the sound emitted by
10 the device itself is functionally blocked from consideration. Now, systems may be composed from various devices that each may have to recognize certain speech items from the user, it being impossible, however, to predict which items should not be recognized. In particular, the problem is aggravated in that the various devices of a particular system may come from different manufacturers. In other cases, devices may be combined that had never been
15 intended to be operated as a combination. Devices originating from the same manufacturer or originating from different manufacturers may contain various audio sources.

SUMMARY TO THE INVENTION

In consequence, amongst other things, it is an object of the present invention
20 to provide a method for operating a multi-device system, wherein echo canceling has been designed on the level of the various devices, but is operative on the level of the comprehensive system.

Now therefore, according to one of its aspects, the invention is characterized according to the characterizing part of Claim 1.

25 The invention also relates to a multi-device system so operated as claimed in Claim 8. The invention also relates to a speech-enhanced device for use in a system according to the invention, as claimed in Claim 15. Further advantageous aspects of the invention are recited in dependent Claims.

BRIEF DESCRIPTION OF THE DRAWING

These and further aspects and advantages of the invention will be discussed more in detail hereinafter with reference to the disclosure of preferred embodiments, and in particular with reference to the appended Figures that show:

- 5 Figure 1, a general speech-enhanced device for use with the present invention;
 Figure 2, a multi-device speech-enhanced system with distributed automatic speech recognition (ASR) and distributed automatic echo canceling (AEC);
 Figure 3, ditto with distributed ASR and distributed AEC in a star configuration;
10 Figure 4, ditto with distributed ASR and centralized AEC;
 Figure 5, ditto, with centralized ASR and centralized AEC;
 Figure 6, ditto with centralized ASR and distributed AEC;
 Figure 7, ditto with distributed ASR and distributed AEC in an advanced setup.

15

DETAILED DESCRIPTION OF PREFERRED EMBODIMENTS

Figure 1 illustrates a general speech-enhanced device 20 for use with the present invention. For simplicity, the prime user-directed functionality has been played down. Such functionality may, without any express or implied limitation, represent an audio or
20 audio-video tuner, an audio player, an audio or audio-video recorder or an audio or audio-video composer. In contradistinction, the detailing of the Figure has been limited to the control functionality. Generally, user control inputting has been immediate such as symbolized by the ingoing line of bi-directional line pair 46, and such control may be mechanical through user buttons or the like, or remote through IR signaling or the like. The
25 outputting of control signalizations has been through lamps or other visual display indicators, through text display, buzzers, and other. Furthermore, control signalizations may be exchanged through line 46 pair with other connected audio-video devices.

Item 30 represents the user functionality of the General Speech Enhanced Device, that receives external control from lines 46, and optionally produces audio on output
30 46 for general usability, such as broadcasted audio, and on line 38 for other purposes as will be discussed hereinafter. The latter via addition mechanism 32 is sent to loudspeakers 48. Item 22 represents a Voice-Controlled User Interface that may produce feedback on line 34 to addition mechanism 32 for thereby canceling feedback sounds from outputting on

loudspeakers 48. Otherwise, item 22 may produce non-audio output on interface 46 for external usage, or for controlling device 30.

Speech input by an operator to the device may be done on microphone 28. The speech so received can be outputted on the outgoing line of line pair 42. It may also be used
5 as an alternative to speech received on the ingoing line of line pair 42 for communicating to Automatic Echo Canceller block 26. The latter will output a speech signal on the outgoing channel of bi-directional channel 40. This speech signal closely corresponds to the speech signal received on microphone 28, from which, however, any audio signal outputted by the device via item 48 illustrated in Figure 1 has been deleted to a great extent. Such speech
10 signal has been received on a dedicated channel indicated by 60 in the Figure. The speech signal so corrected for the audio output of the device itself can either be outputted on the outgoing channel of bi-directional speech channel 40, or rather be sent to the input of speech recognition item 24. The latter may alternatively select to receive externally transmitted speech received on the ingoing channel of bi-directional speech channel 40. Item 24 will
15 recognize the speech so received according to a strategy that without limitation may be conventional. The recognition result may be outputted as text on the outgoing channel of bi-directional channel pair 44, or may be forwarded to Voice-Controlled User Interface item 22. The latter may alternatively receive externally inputted text along the ingoing channel of bi-directional channel pair 44. The VCUI module 22 can produce further control signals as
20 discussed earlier, or produce audio output for feeding to loudspeaker boxes 48, or output video display, which has not been discussed for brevity. Still further, VCUI module may generate a selective disable signal on line 36 for any or all of modules 24, 26, 28, 48 for application in cascaded architectures. The usage thereof will be discussed in detail hereinafter.

25 In the various embodiments, certain elements of the device of Figure 1 may be left out. In particular, line pair 44 is optional, line out in line pair 42 may be left out, whereas certain other elements are not really necessary in one or more of the embodiments shown hereinafter. However, the microphone in line in line pair 42 will be of great usage in Figures 6, 7 (cf. connection 100 in particular),

30 Figure 2 illustrates a multi-device speech-enhanced system with distributed automatic speech recognition (ASR) and distributed automatic echo canceling (AEC). The system has been illustrated as a combination of audio set and TV, although various other multi-device systems may be configured, such including the usage of more than two devices. In all subsequent Figures, a two-channel parallel setup such as for stereo audio or a multi-

channel setup such as for use in surround sound and other sophisticated reproduction techniques may be used, without separate indication in the Figures of the various channels. Now, each device will need its own software layer for the VC User Interface. However, with such functionality built into various independent devices, the Voice Control may effectively
5 fail when both devices are playing simultaneously. A brute-force remedy for stereo application would be to have all four channels, two for each device, and to execute echo canceling in each device separately. Internally in the device this will then require at least five channels, if also a microphone channel is required. If the number of channels rises further, the problem grows exponentially. Furthermore, the device must have enough processing
10 power to execute at least fourfold echo canceling. The different devices must furthermore be connected to each other. Obviously, the solution so recited is both hardware and software intensive, and as such both expensive and prone to errors and malfunctioning.

In this respect, Figure 3 illustrates the configuration of Figure 2 enhanced with an interconnection pattern in a star configuration. The requirements are network
15 interconnection, audio out, and multiple channel automatic echo canceling. Note that the requirements will grow exponentially if more than two devices are making up the system, or if the number of audio channels with respect to the audio rendering will grow, such as for effecting above-HIFI quality. It is recognized that in many situations such required technical facilities would prove to be excessive.

20 Now, a more straightforward solution uses only a single loudspeaker, in which only a single device will output all sounds generated by any of the devices in the system.

The further Figures illustrate various non-limiting embodiments of systems according to the invention. In this respect, Figure 4 shows such system with distributed ASR and central AEC. Now, only canceling of a single n-channel audio signal is needed, wherein
25 n may have any realistic integer value. The wiring may often be quite simple, such as by connecting TV audio-out to an Auxiliary audio input that is often present on audio sets. Additionally however, after AEC the speech signal must be transferred to the "line in" of the other device(s) to recognize the cleaned-up signal. The speech UI remains in fact separately in each device. Additionally, further input channels may be used for future beam forming
30 technology which requires multiple microphones and associated extra input channels. The system illustrated in the Figure is in the context of a VCR hooked up to a television set. The requirements for this approach are: speech out after echo canceling, speech in before automatic speech recognition, disable AEC, disable microphone, two-channel audio out. Note that in the VCR box the subsystems AEC, mic, and the loudspeaker s are not operational,

through the selective blocking in the device of Figure 1 as incorporated in the VCR, and as indicated by their light printing.

Figure 5 illustrates a system with centralized ASR and centralized AEC, which may boil down to using a central Speech Control Box. A possible platform may be realized in a settop box. The organization realizes all advantages of the Figure 4 configuration. Moreover, only a single speech recognizer mechanism is needed. The most apparent advantage in a user environment is the inherent absence of multiple recognizers in a single room, and furthermore, the possibility for improved controlling of various different devices and possible extension to a more powerful system. For simplicity, the Figure limits to only two devices, each with 2-channel AEC. Requirements now are: a bi-directional control link for each device, that can readily be effected through a network such as a HAVi network, audio out, and possibly, additional audio inputs for still another audio device. As far as present in the Audio Set and TV devices, all elements depicted in Figure 1, except the Audio set's loudspeakers, will be disabled, as indicated by their having been left out from the Figure.

Now, in the setup of Figure 5, one of the connected devices will still play the final audio via a two-channel output, which is usually effected by the audio device itself. This will force the user to connect all other devices immediately to a single audio output device. With distributed AEC, this option may be visualized as only a minor change to the SCB architecture which will allow different speech-enhanced audio devices to each play their respective own audio. Acoustic echo cancellation is done for all devices in a distributed manner, and therefore, sequentially in each separate device.

Technically, we are now using two or more ASR-AEC devices with two channels each in order to cancel two or more audio channels. For example, a speech-enhanced audio set and a speech-enhanced television set may each have their own audio output, whereas the various stereo channels will be echo-cancelled in sequence. The final and clean speech signal is used in the central SCB in order to control the various devices. Now, there are various different speech signals, all of which may be distorted. Furthermore, the delay incurred through executing the various steps in sequence may also cause problems.

In this respect, Figure 6 illustrates another system embodiment comprising audio, TV, and SCB, with centralized ASR and distributed AEC, thus mitigating various of the above disadvantages. Particular requirements now include: speech out after echo canceling, disable ASR, disable AEC, disable microphone, line in, and bi-directional control link for each device, which may again be realized through a network. As shown, in the audio

device ASR has been selectively disabled. Furthermore, in the TV, the ASR and microphone have been selectively disabled. Still further, in the SCB device, microphone and AEC have been disabled. In this setup, both audio device and television set may use their loudspeaker as shown.

5 In particular, the SCB may be replaced by only the connected devices, where the clean speech signal is retrocoupled to all other devices. This in fact leads to a system that resembles the option of Figure 2 which, although perhaps being a less obvious choice, could be a very practical one nevertheless. From a packaging point of view, the key idea is to introduce robust ASR technology without the immediate need to connect all devices, and
10 without the obligation to use exclusively the audio device for outputting the sound. This leads in fact to the option of Figure 7 with distributed ASR and distributed AEC in an advanced setup. This scheme has the following functional requirements: speech out after Automatic Echo Canceling, disable microphone and line in. As shown, the TV set has its microphone selectively disabled.

CLAIMS:

1. A method for operating a user-interactive multi-device audio-video system that contains user speech recognizing facilities and echo canceling facilities for avoiding the recognizing of speech output from the system as user speech,
characterized in that in the presence of plural and functionally separate such
5 speech recognizing facilities and echo canceling facilities, driving the echo canceling facilities to combine their forces for by one or more thereof canceling one or more mutually unique cancelable speech entities and combining such cancelled entities for overall non-recognition by the system.
- 10 2. A method as claimed in Claim 1, wherein such combining operates by arranging various echo canceling facilities in series (Figures 6, 7).
3. A method as claimed in Claim 2, and from said series arrangement feeding the
15 speech recognizing facility in a centralized manner (Figure 6).
4. A method as claimed in Claim 2, and from said series arrangement feeding
various speech recognizing facilities in a distributed manner (Figure 7).
5. A method as claimed in Claim 1, wherein such combining operates by
20 centralizing said echo canceling facilities in the system and therefrom feeding various speech recognizing facilities in a distributed manner (Figure 4).
6. A method as claimed in Claim 1, wherein such combining operates by
25 centralizing said echo canceling facilities and speech recognizing facilities in a joint control facility (Figure 5).
7. A method as claimed in Claim 1, wherein such combining operates by
arranging various echo canceling facilities in a centralized control device (Figure 4) and
therefrom feeding various speech recognizing facilities in parallel.

8. A multi-device audio-video system that contains speech recognizing facilities and echo canceling facilities for avoiding the recognizing of speech output from the system as user speech,

characterized in that in the presence of plural and functionally separate such
5 speech recognizing facilities and echo canceling facilities, the echo canceling facilities are arranged to combine their forces through joint canceling means for canceling one or more mutually unique cancelable speech entities and combining means for combining such cancelled entities for overall non-recognition by the system.

10 9. A system as claimed in Claim 8, wherein such combining means include a serial arrangement that arranges various echo canceling facilities in series (Figures 6, 7).

10. A system as claimed in Claim 9, arranged for from said series arrangement feeding the speech recognizing facility in a centralized manner (Figure 6).

15

11. A system as claimed in Claim 9, arranged for from said series arrangement feeding various speech recognizing facilities in a distributed manner (Figure 7).

12. A system as claimed in Claim 8, wherein such combining means have said
20 echo canceling facilities centralized in a control device and are arranged for feeding various speech recognizing facilities in a distributed manner (Figure 4).

13. A system as claimed in Claim 8, wherein such combining means are arranged
25 for centralizing said echo canceling facilities and speech recognizing facilities in a joint control facility (Figure 5).

14. A system as claimed in Claim 8, wherein such combining means are arranged
for centralizing various echo canceling facilities (Figure 4) and therefrom feeding various
speech recognizing facilities in parallel.

30

15. A speech enhanced device for use in a system as claimed in Claim 8 and having speech recognizing facilities and echo canceling facilities for avoiding the recognizing of speech output from the device as user speech,

being characterized by having speech input/output means interposed between said interconnected speech recognizing and echo canceling facilities, for intercoupling another such device.

5 16. A device as claimed in Claim 15, and having control means for selectively disabling one or more of said speech-recognizing facilities, said echo canceling facilities and audio output facilities of the device.

10 17. A device as claimed in Claim 15, and having microphone out means and furthermore control means for selectively controlling one or more of said speech recognizing facilities, said echo canceling facilities, and said microphone out means.

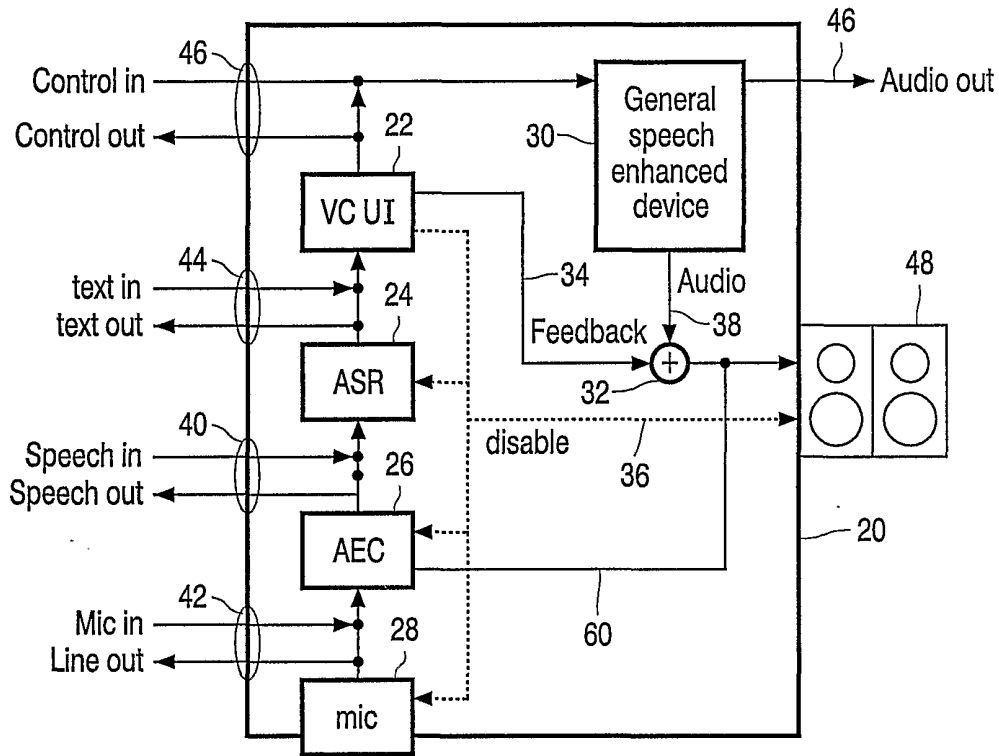


FIG. 1

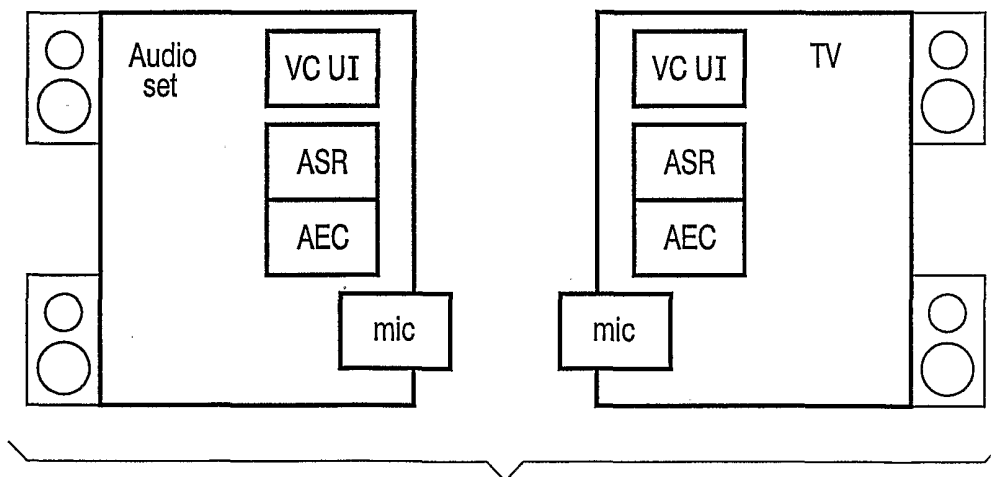


FIG. 2

2/5

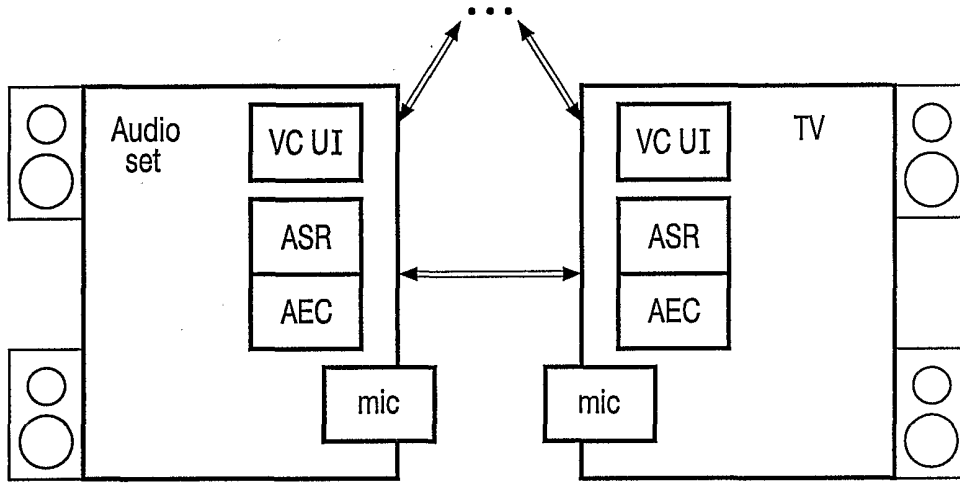


FIG. 3

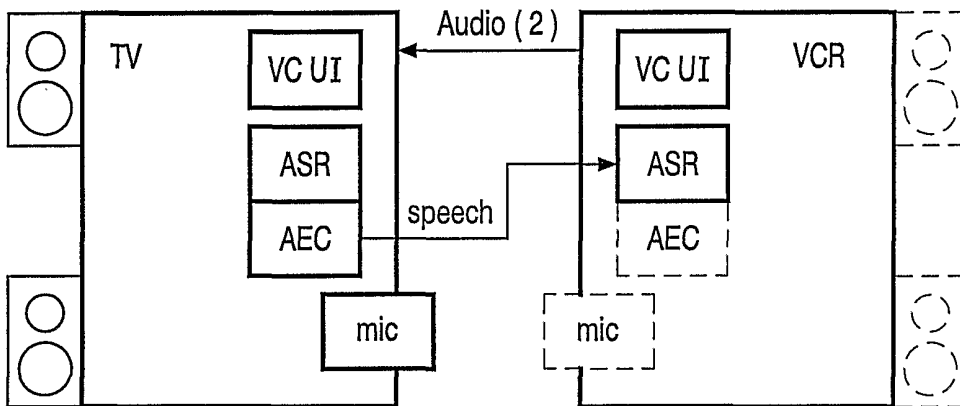


FIG. 4

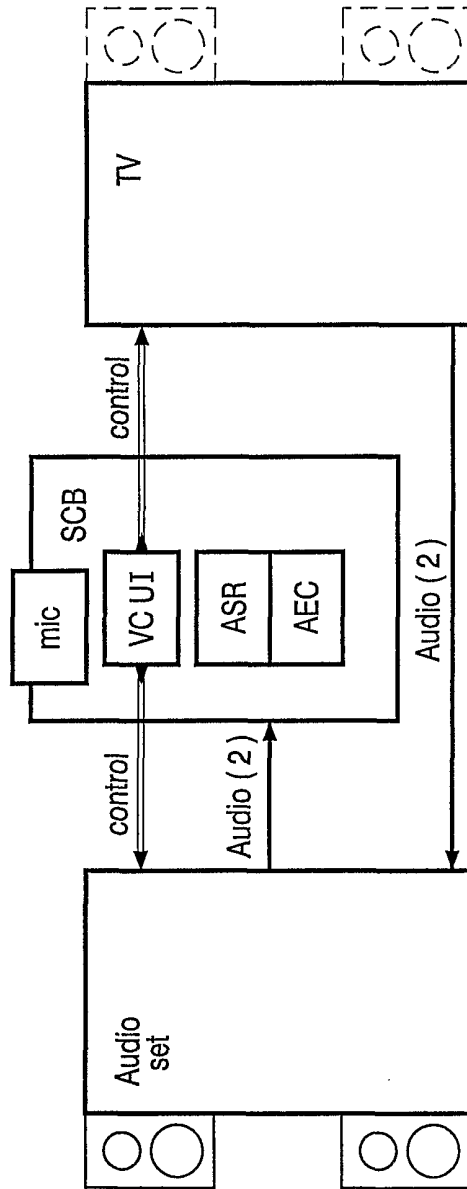


FIG. 5

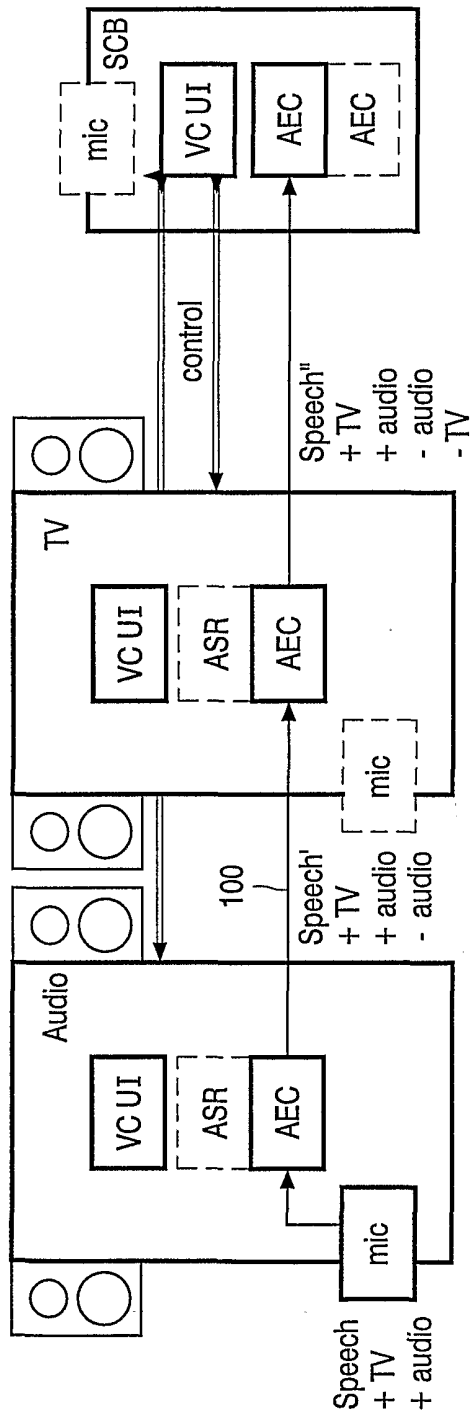


FIG. 6

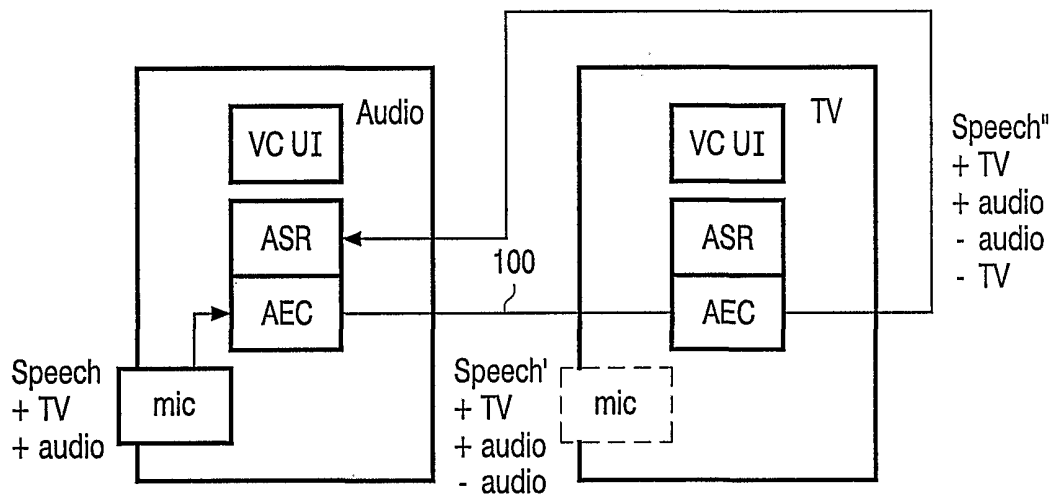


FIG. 7

INTERNATIONAL SEARCH REPORT

International Application No

PCT/JP 01/08929

A. CLASSIFICATION OF SUBJECT MATTER IPC 7 G10L21/02				
According to International Patent Classification (IPC) or to both national classification and IPC				
B. FIELDS SEARCHED				
Minimum documentation searched (classification system followed by classification symbols) IPC 7 G10L				
Documentation searched other than minimum documentation to the extent that such documents are included in the fields searched				
Electronic data base consulted during the international search (name of data base and, where practical, search terms used) EPO-Internal, WPI Data, PAJ, INSPEC, COMPENDEX, IBM-TDB				
C. DOCUMENTS CONSIDERED TO BE RELEVANT				
Category °	Citation of document, with indication, where appropriate, of the relevant passages	Relevant to claim No.		
A	US 5 867 495 A (ELLIOTT ISAAC K ET AL) 2 February 1999 (1999-02-02) abstract column 99, line 8 - line 13	1,8		
A	US 5 548 681 A (GLEAVES DAVID ET AL) 20 August 1996 (1996-08-20) abstract; claim 1; figures 1,4	1,8		
A	EP 0 969 692 A (ASAHI CHEMICAL IND) 5 January 2000 (2000-01-05) abstract; claims 7,8	1,8		
<input type="checkbox"/> Further documents are listed in the continuation of box C.				
<input checked="" type="checkbox"/> Patent family members are listed in annex.				
° Special categories of cited documents :				
<table style="width: 100%; border: none;"> <tr> <td style="width: 50%; border: none; vertical-align: top;"> <ul style="list-style-type: none"> *A* document defining the general state of the art which is not considered to be of particular relevance *E* earlier document but published on or after the international filing date *L* document which may throw doubts on priority claim(s) or which is cited to establish the publication date of another citation or other special reason (as specified) *O* document referring to an oral disclosure, use, exhibition or other means *P* document published prior to the international filing date but later than the priority date claimed </td> <td style="width: 50%; border: none; vertical-align: top;"> <ul style="list-style-type: none"> *T* later document published after the international filing date or priority date and not in conflict with the application but cited to understand the principle or theory underlying the invention *X* document of particular relevance; the claimed invention cannot be considered novel or cannot be considered to involve an inventive step when the document is taken alone *Y* document of particular relevance; the claimed invention cannot be considered to involve an inventive step when the document is combined with one or more other such documents, such combination being obvious to a person skilled in the art. *&* document member of the same patent family </td> </tr> </table>			<ul style="list-style-type: none"> *A* document defining the general state of the art which is not considered to be of particular relevance *E* earlier document but published on or after the international filing date *L* document which may throw doubts on priority claim(s) or which is cited to establish the publication date of another citation or other special reason (as specified) *O* document referring to an oral disclosure, use, exhibition or other means *P* document published prior to the international filing date but later than the priority date claimed 	<ul style="list-style-type: none"> *T* later document published after the international filing date or priority date and not in conflict with the application but cited to understand the principle or theory underlying the invention *X* document of particular relevance; the claimed invention cannot be considered novel or cannot be considered to involve an inventive step when the document is taken alone *Y* document of particular relevance; the claimed invention cannot be considered to involve an inventive step when the document is combined with one or more other such documents, such combination being obvious to a person skilled in the art. *&* document member of the same patent family
<ul style="list-style-type: none"> *A* document defining the general state of the art which is not considered to be of particular relevance *E* earlier document but published on or after the international filing date *L* document which may throw doubts on priority claim(s) or which is cited to establish the publication date of another citation or other special reason (as specified) *O* document referring to an oral disclosure, use, exhibition or other means *P* document published prior to the international filing date but later than the priority date claimed 	<ul style="list-style-type: none"> *T* later document published after the international filing date or priority date and not in conflict with the application but cited to understand the principle or theory underlying the invention *X* document of particular relevance; the claimed invention cannot be considered novel or cannot be considered to involve an inventive step when the document is taken alone *Y* document of particular relevance; the claimed invention cannot be considered to involve an inventive step when the document is combined with one or more other such documents, such combination being obvious to a person skilled in the art. *&* document member of the same patent family 			
Date of the actual completion of the international search	Date of mailing of the international search report			
21 December 2001	04/01/2002			
Name and mailing address of the ISA European Patent Office, P.B. 5818 Patentlaan 2 NL - 2280 HV Rijswijk Tel. (+31-70) 340-2040, Tx. 31 651 epo nl, Fax: (+31-70) 340-3016	Authorized officer Van Doremalen, J			

INTERNATIONAL SEARCH REPORT

International Application No
P/01/08929

Patent document cited in search report		Publication date	Patent family member(s)	Publication date
US 5867495	A	02-02-1999	AU 725933 B2	26-10-2000
			AU 5686798 A	10-06-1998
			BR 9714315 A	08-02-2000
			CN 1294812 A	09-05-2001
			EP 0950308 A2	20-10-1999
			NO 992354 A	16-07-1999
			WO 9823080 A2	28-05-1998
US 5548681	A	20-08-1996	JP 5323993 A	07-12-1993
EP 0969692	A	05-01-2000	JP 10257583 A	25-09-1998
			AU 6120398 A	22-09-1998
			EP 0969692 A1	05-01-2000
			CN 1249889 T	05-04-2000
			WO 9839946 A1	11-09-1998