



US0D1070552S

(12) **United States Design Patent**
Barragan

(10) **Patent No.:** **US D1,070,552 S**

(45) **Date of Patent:** **** Apr. 15, 2025**

(54) **TOOL SUPPORT CLIP**

DESCRIPTION

(71) Applicant: **Greg C. Barragan**, Fresno, CA (US)
(72) Inventor: **Greg C. Barragan**, Fresno, CA (US)
(**) Term: **15 Years**
(21) Appl. No.: **29/901,386**
(22) Filed: **Aug. 31, 2023**
(51) **LOC (15) Cl.** **03-01**
(52) **U.S. Cl.**
USPC **D3/228**
(58) **Field of Classification Search**
USPC D8/14, 71, 370; D3/315, 201, 226, 228;
D2/639, 853

FIG. 1 is a right side perspective view of a first embodiment of the tool support clip of the present invention showing the Applicant's new design;
FIG. 2 is a front elevation view of the tool support clip of FIG. 1;
FIG. 3 is a rear elevation view of the tool support clip of FIG. 1;
FIG. 4 is a left side elevation view of the tool support clip of FIG. 1;
FIG. 5 is a right side elevation view of the tool support clip of FIG. 1;
FIG. 6 is a top plan view of the tool support clip of FIG. 1;
FIG. 7 is a bottom plan view of the tool support clip of FIG. 1;
FIG. 8 is a front elevation view of the tool support clip of FIG. 1 shown in use secured in a pocket supporting a trowel;
FIG. 9 is a front elevation view of the tool support clip of FIG. 1 shown in use secured to a belt supporting two trowels;
FIG. 10 is a right side perspective view of a second embodiment of the tool support clip of the present invention showing the Applicant's new design having sections of the clip insert portion and the tool support portion being coated or covered;
FIG. 11 is a front elevation view of the tool support clip of FIG. 10;
FIG. 12 is a rear elevation view of the tool support clip of FIG. 10;
FIG. 13 is a left side elevation view of the tool support clip of FIG. 10;
FIG. 14 is a right side elevation view of the tool support clip of FIG. 10;
FIG. 15 is a top plan view of the tool support clip of FIG. 10; and,
FIG. 16 is a bottom plan view of the tool support clip of FIG. 10.
The broken line showing the pocket and trowel in FIG. 8 and the belt and trowels in FIG. 9 depict environmental structure that form no part of the claimed design.

(Continued)

(56) **References Cited**

U.S. PATENT DOCUMENTS

D24,287 S * 5/1895 Snedden D8/370
D123,825 S * 12/1941 Trilling D30/119

(Continued)

OTHER PUBLICATIONS

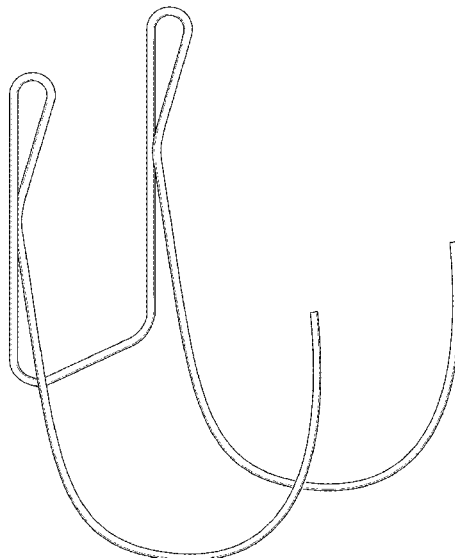
Tools Hangers for Hand Tools, posted Aug. 17, 2023 [online], [retrieved Jan. 7, 2025]. Retrieved from internet, <https://www.amazon.com/Hangers-Trowel-Holster-handfloat-Hammers/dp/B0CFYVH5PS/> (Year: 2023).*

Primary Examiner — Calvin E Vansant
Assistant Examiner — Benjamin L. Gray
(74) *Attorney, Agent, or Firm* — Richard A. Ryan

(57) **CLAIM**

The ornamental design for a tool support clip, as shown and described.

1 Claim, 10 Drawing Sheets



US D1,070,552 S

Page 2

(58) **Field of Classification Search**

CPC ... B25H 3/00; B25H 3/006; A45F 5/02; A45F 5/021

See application file for complete search history.

(56) **References Cited**

U.S. PATENT DOCUMENTS

3,104,434 A 9/1963 Noordhoek
D240,370 S 7/1976 Kuehl
4,421,238 A * 12/1983 Patton B68C 1/002
D12/115
4,809,894 A 3/1989 Vilo
D300,804 S * 4/1989 Myers D34/5
4,936,499 A 6/1990 Gulley
D317,742 S * 6/1991 Miller D8/367
D366,195 S * 1/1996 Hammond D34/28
D374,604 S 10/1996 Hnatowicz et al.
D396,371 S * 7/1998 Oliver D8/367

5,810,232 A 9/1998 Meurer et al.
5,944,242 A 8/1999 Musarella et al.
6,196,509 B1 * 3/2001 Clemens A45F 5/00
248/302
D486,379 S * 2/2004 Olson D8/370
D552,345 S 10/2007 Albert
D564,222 S 3/2008 Slavov
D580,745 S * 11/2008 Shaha D8/367
D581,657 S 12/2008 Rice
D615,264 S * 5/2010 Yon D32/54
D637,893 S * 5/2011 Yon D8/373
D650,577 S 12/2011 Glander
D714,542 S 10/2014 Barragan
9,480,366 B2 * 11/2016 Ljung A47J 47/16
D878,186 S * 3/2020 Toye D8/370
D967,700 S * 10/2022 Sun D8/370
D1,022,668 S * 4/2024 Shirley D8/370
2009/0108040 A1 * 4/2009 Corzine A45F 5/02
224/666

* cited by examiner

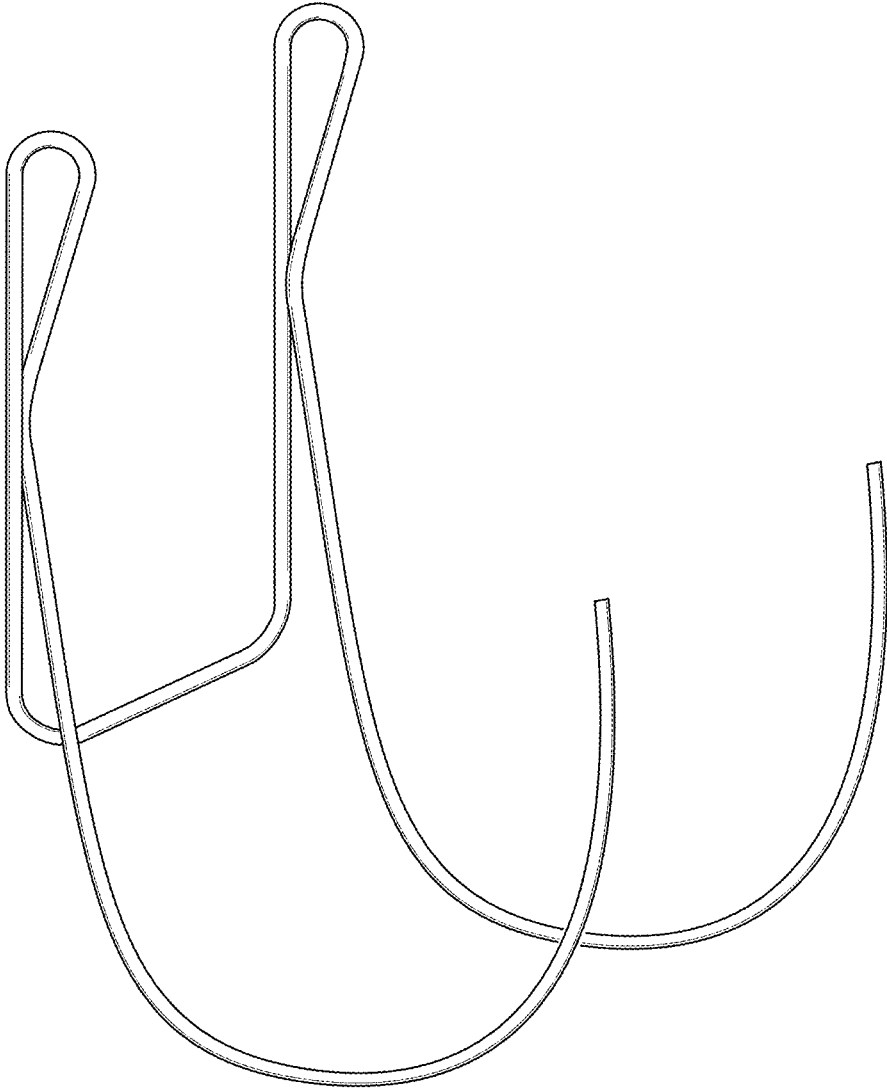


FIG. 1

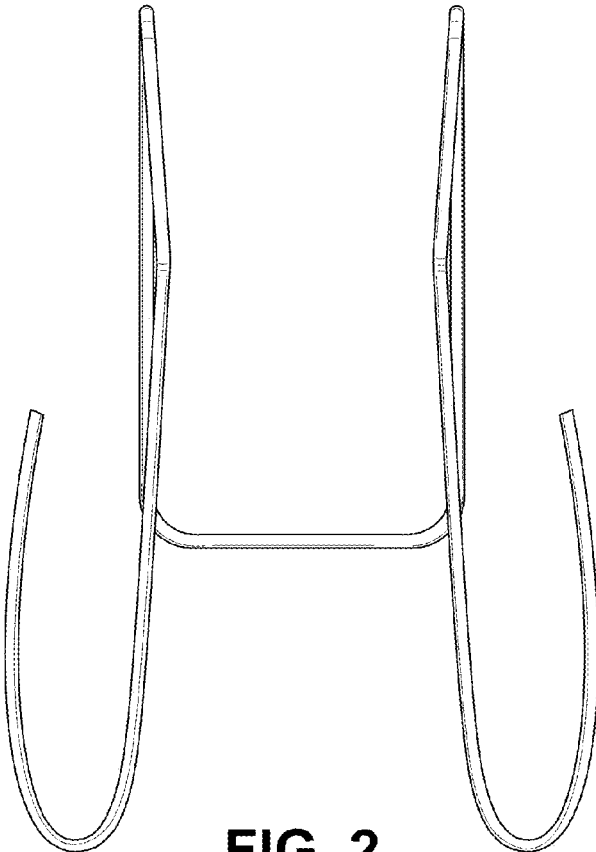


FIG. 2

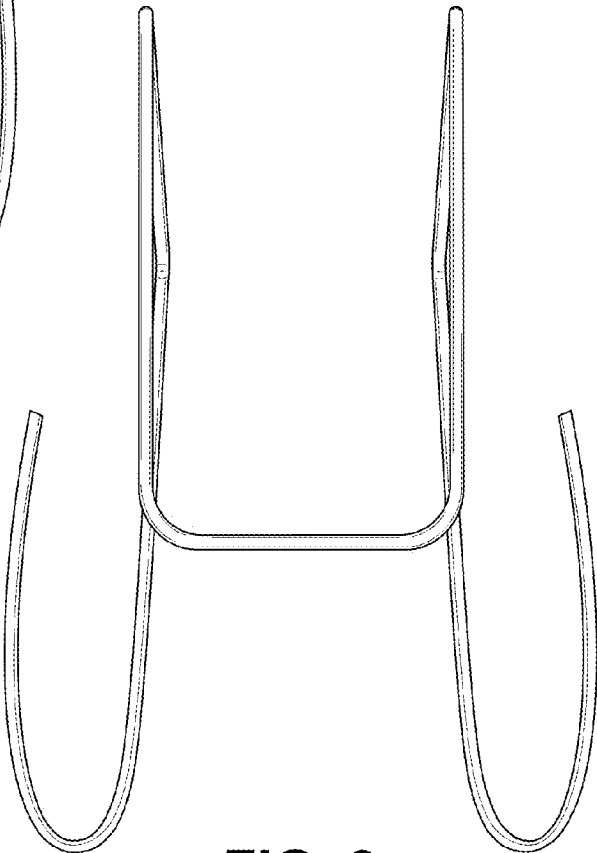


FIG. 3

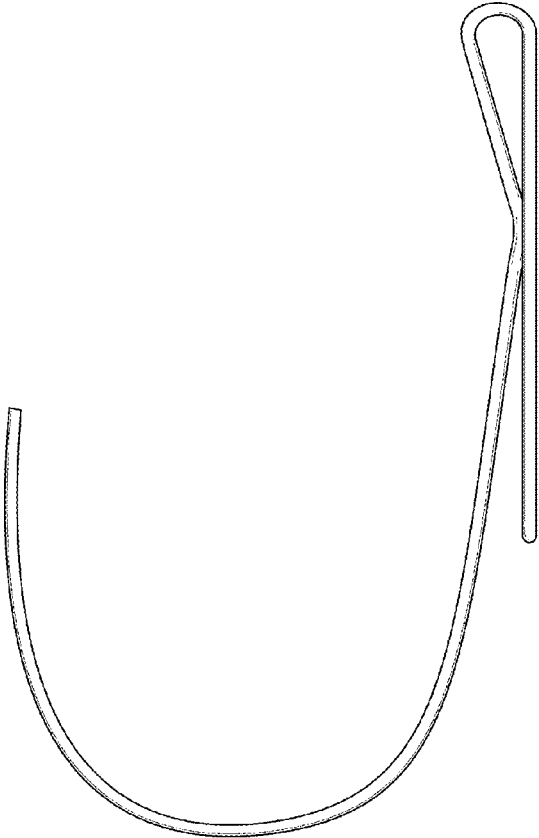


FIG. 4

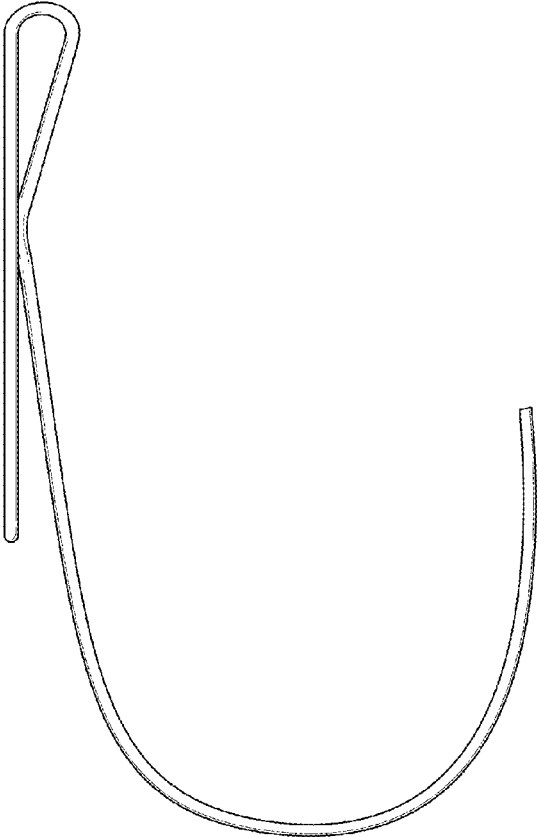


FIG. 5

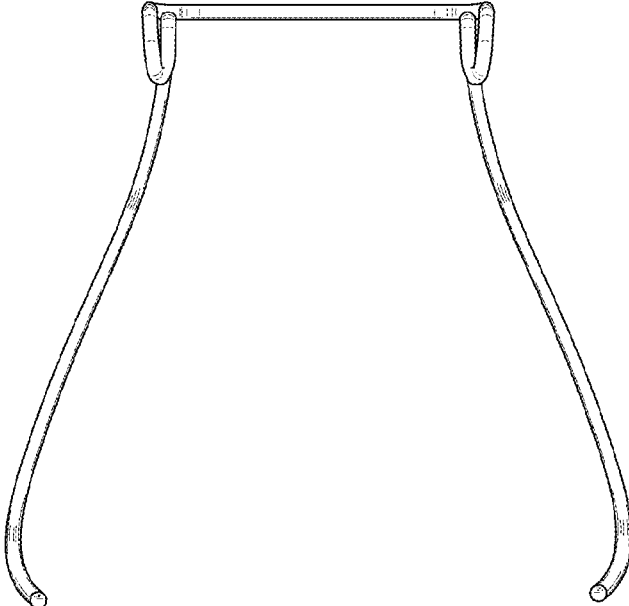


FIG. 6

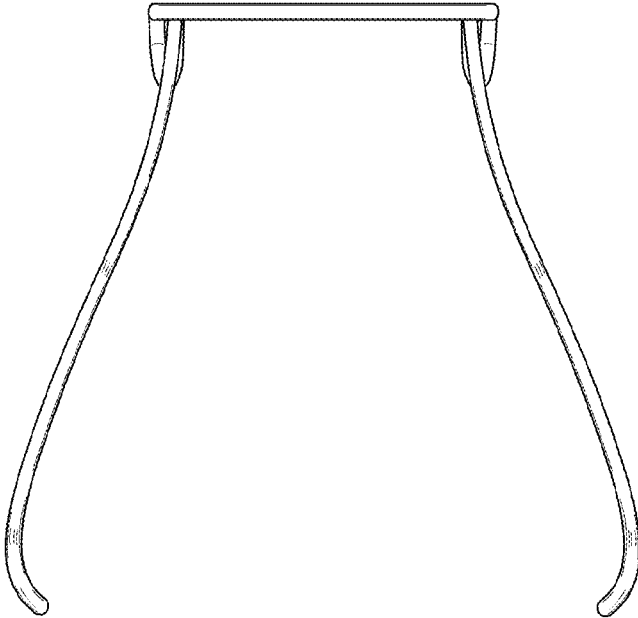


FIG. 7

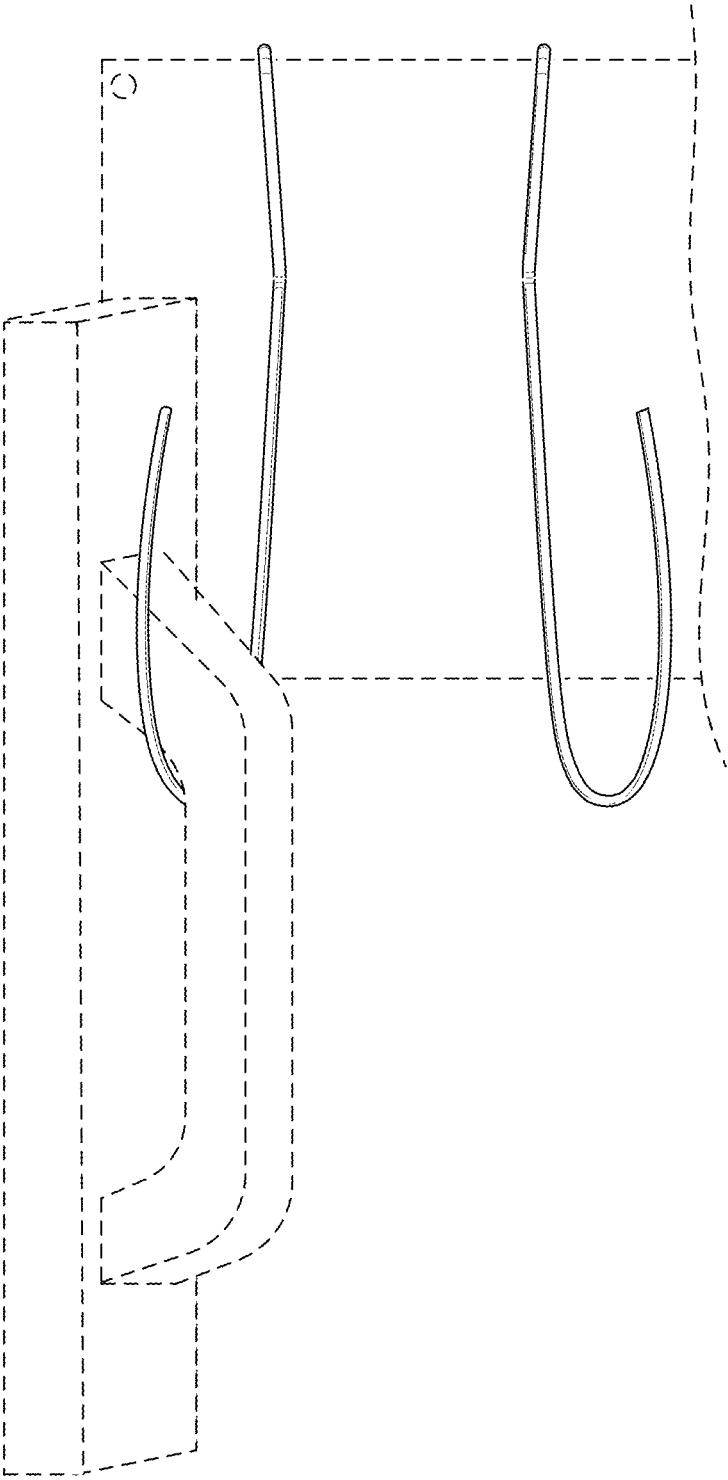


FIG. 8

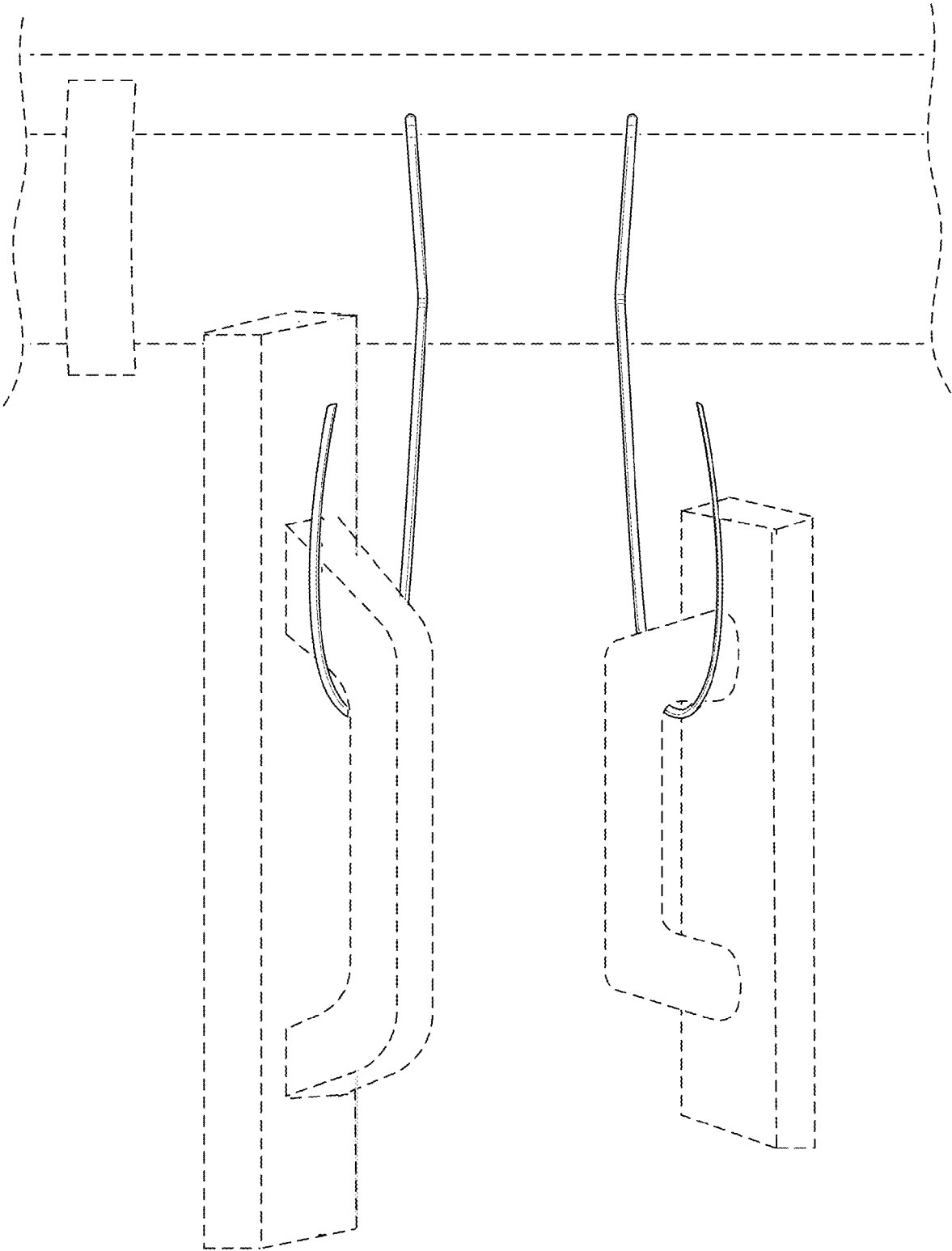


FIG. 9

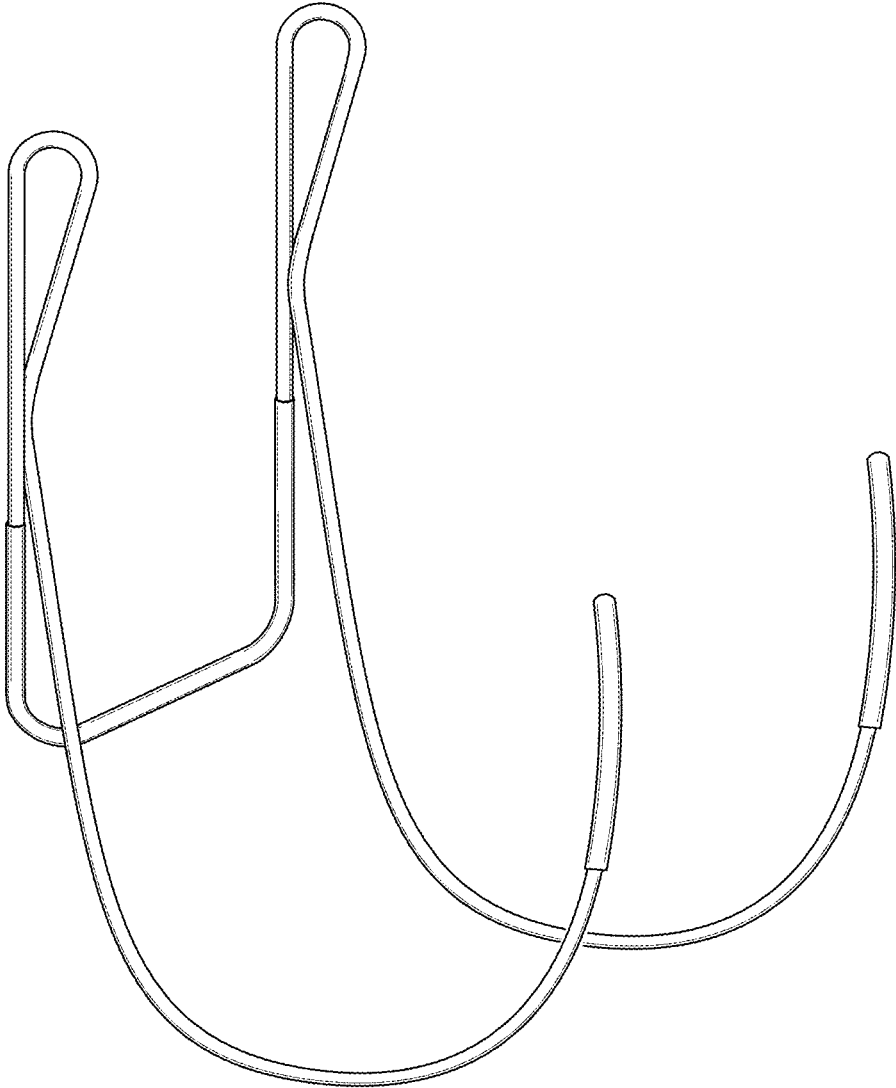


FIG. 10

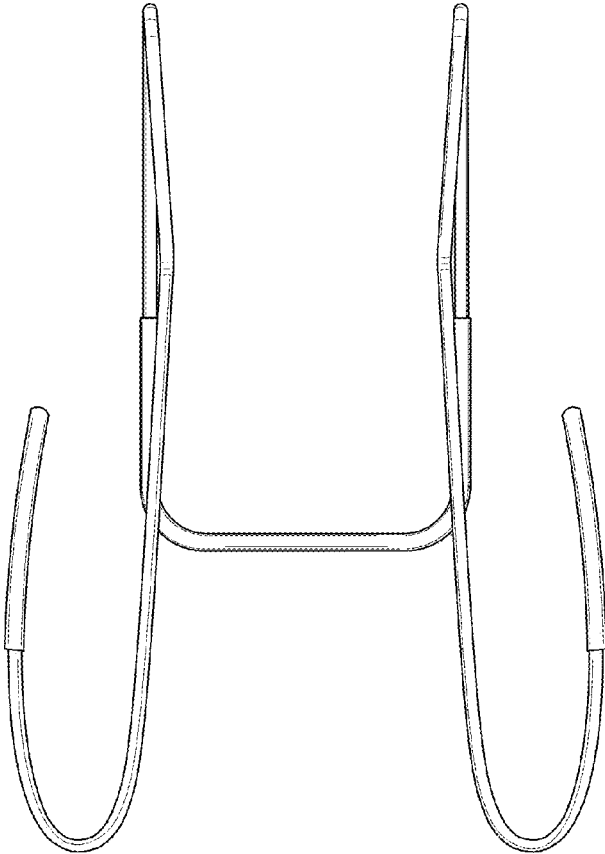


FIG. 11

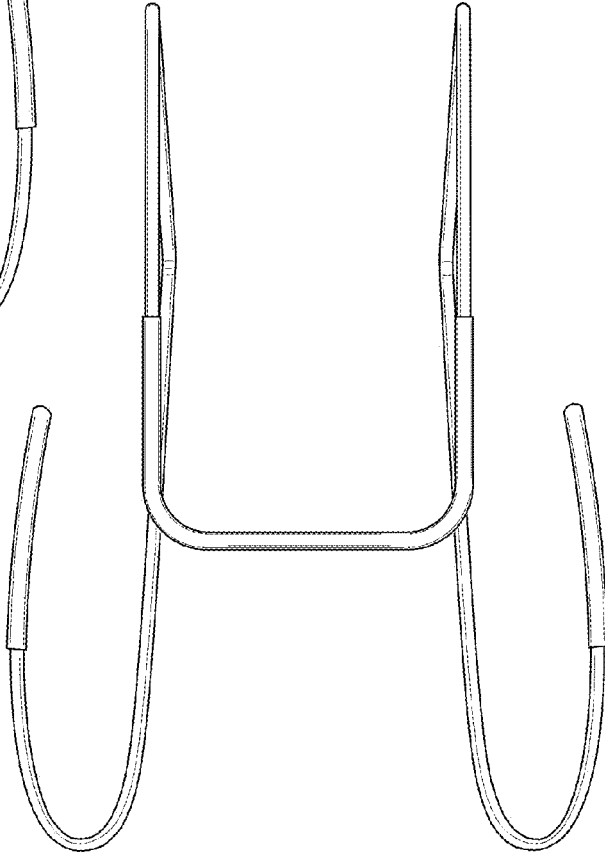


FIG. 12

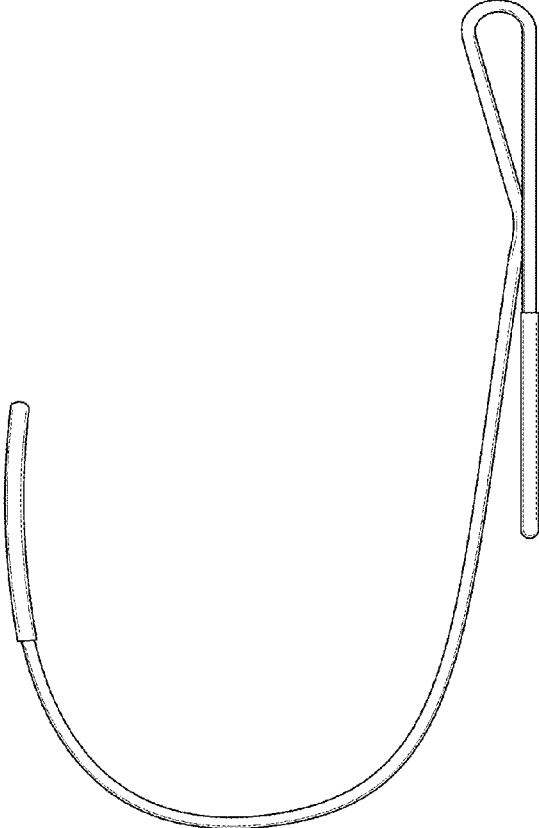


FIG. 13

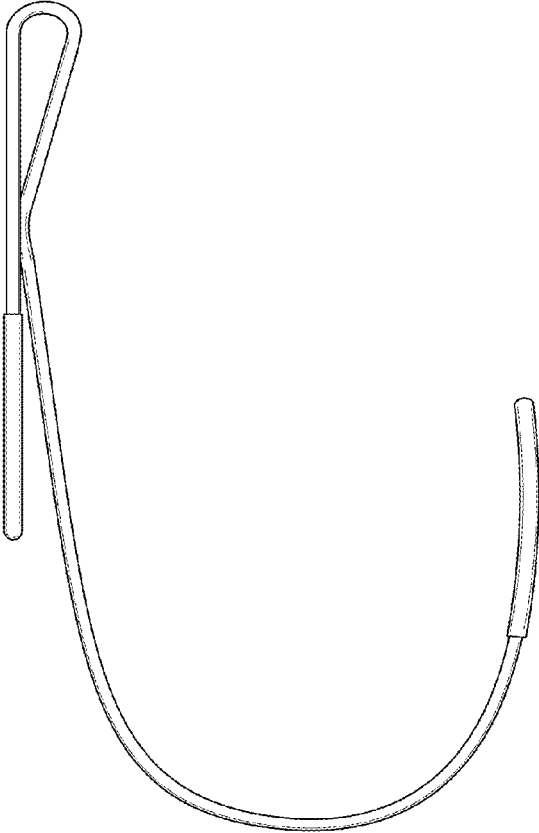


FIG. 14

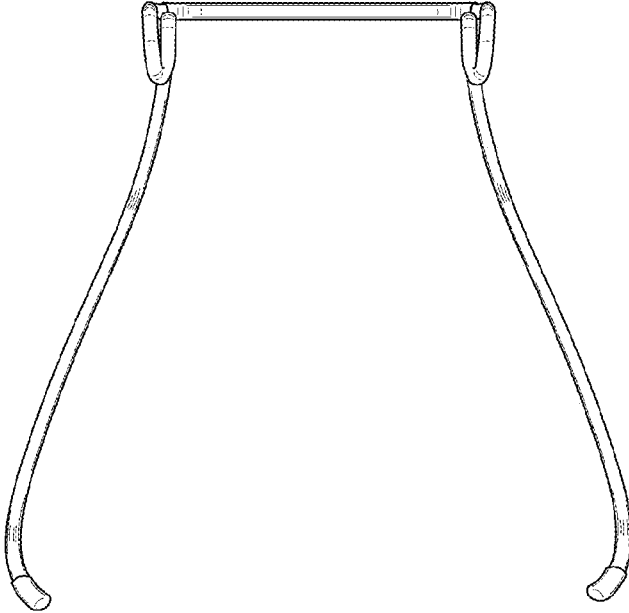


FIG. 15

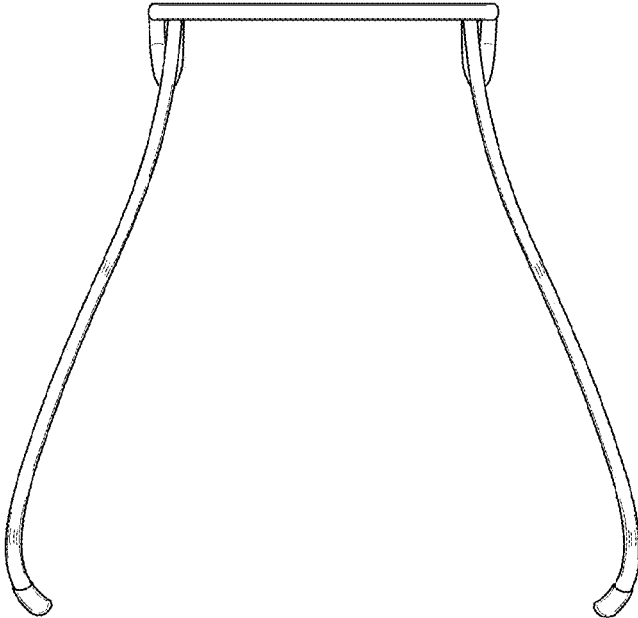


FIG. 16