



US00D743945S

(12) **United States Design Patent**  
**Brunner et al.**

(10) **Patent No.:** **US D743,945 S**

(45) **Date of Patent:** **\*\* \*Nov. 24, 2015**

- (54) **AUDIO LISTENING SYSTEM**
- (71) Applicant: **Apple Inc.**, Cupertino, CA (US)
- (72) Inventors: **Robert Brunner**, San Francisco, CA (US); **Christopher Kuh**, San Francisco, CA (US); **Achille Biteau**, San Francisco, CA (US)
- (73) Assignee: **Apple Inc.**, Cupertino, CA (US)
- (\* ) Notice: This patent is subject to a terminal disclaimer.
- (\*\*) Term: **14 Years**
- (21) Appl. No.: **29/490,932**
- (22) Filed: **May 15, 2014**
- (51) **LOC (10) Cl.** ..... **14-01**
- (52) **U.S. Cl.**  
USPC ..... **D14/223**
- (58) **Field of Classification Search**  
USPC ..... D14/223; 181/129, 130, 135; 379/430, 379/431; 381/380, 381; 455/90.3, 575.1  
CPC ..... H04R 1/10  
See application file for complete search history.

- (56) **References Cited**  
U.S. PATENT DOCUMENTS
- |           |    |   |         |               |       |           |
|-----------|----|---|---------|---------------|-------|-----------|
| 5,210,792 | A  | * | 5/1993  | Kajihara      | ..... | 379/430   |
| D421,755  | S  | * | 3/2000  | Pitel         | ..... | D14/240   |
| 6,101,260 | A  | * | 8/2000  | Jensen et al. | ..... | 381/381   |
| D443,261  | S  | * | 6/2001  | Yuyama        | ..... | D14/223   |
| D460,749  | S  | * | 7/2002  | Liu           | ..... | D14/206   |
| 6,427,018 | B1 | * | 7/2002  | Keliiliki     | ..... | 381/381   |
| D471,889  | S  | * | 3/2003  | Rath et al.   | ..... | D14/205   |
| 6,771,790 | B2 | * | 8/2004  | Liu           | ..... | 381/385   |
| D501,196  | S  | * | 1/2005  | Dyer et al.   | ..... | D14/205   |
| 6,868,284 | B2 | * | 3/2005  | Bae           | ..... | 455/575.2 |
| D510,085  | S  | * | 9/2005  | Suzuki        | ..... | D14/223   |
| D510,575  | S  | * | 10/2005 | Leong         | ..... | D14/223   |

- |           |    |   |         |                    |       |           |
|-----------|----|---|---------|--------------------|-------|-----------|
| D528,531  | S  | * | 9/2006  | Rose et al.        | ..... | D14/138 R |
| D542,267  | S  | * | 5/2007  | Cha et al.         | ..... | D14/206   |
| D543,968  | S  | * | 6/2007  | Wong               | ..... | D14/205   |
| 7,231,056 | B2 | * | 6/2007  | Chen               | ..... | 381/381   |
| D556,735  | S  | * | 12/2007 | Yeo et al.         | ..... | D14/206   |
| D575,772  | S  | * | 8/2008  | Schultz et al.     | ..... | D14/223   |
| D593,075  | S  | * | 5/2009  | Williams et al.    | ..... | D14/223   |
| D597,084  | S  | * | 7/2009  | Gondo              | ..... | D14/223   |
| D601,126  | S  | * | 9/2009  | Christopher et al. | ..... | D14/206   |
| D603,847  | S  | * | 11/2009 | Chung              | ..... | D14/223   |
| D606,048  | S  | * | 12/2009 | Soetejo et al.     | ..... | D14/223   |
| 7,648,005 | B2 | * | 1/2010  | Leong et al.       | ..... | 181/135   |
| 7,708,110 | B2 | * | 5/2010  | Leong et al.       | ..... | 181/135   |
| D617,780  | S  | * | 6/2010  | Jaakkola et al.    | ..... | D14/223   |
| D618,669  | S  | * | 6/2010  | Johnson et al.     | ..... | D14/223   |
| D624,529  | S  | * | 9/2010  | Huang              | ..... | D14/223   |
| 7,841,446 | B2 | * | 11/2010 | Leong et al.       | ..... | 181/135   |
| D631,470  | S  | * | 1/2011  | Yoneyama et al.    | ..... | D14/223   |

(Continued)

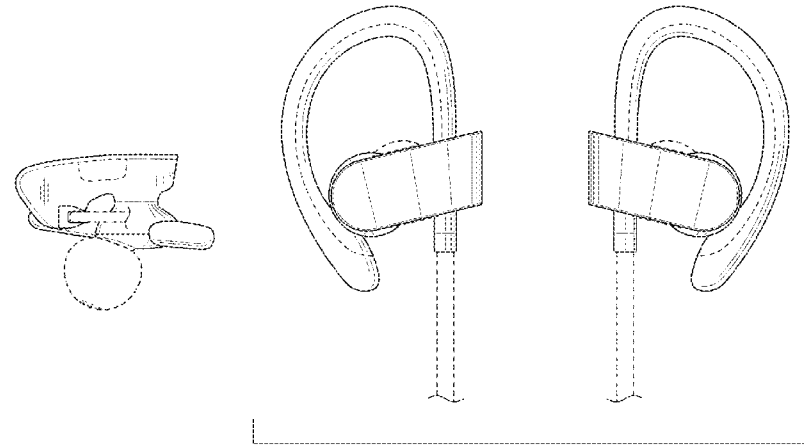
*Primary Examiner* — Paula Greene  
(74) *Attorney, Agent, or Firm* — Sterne, Kessler, Goldstein & Fox P.L.L.C.

(57) **CLAIM**  
The ornamental design for an audio listening system, as shown and described.

**DESCRIPTION**

FIG. 1 is a perspective view of an audio listening system showing our new design, one earpiece is shown separately for purposes of illustration;  
FIG. 2 is a front view thereof;  
FIG. 3 is a rear view thereof;  
FIG. 4 is a right side view thereof;  
FIG. 5 is a left side view thereof;  
FIG. 6 is a top view thereof;  
FIG. 7 is a bottom view thereof; and,  
FIG. 8 is a front view of an audio listening system with a pair of earpieces.  
The broken lines in the figures show portions of the audio listening system that form no part of the claimed design.

**1 Claim, 3 Drawing Sheets**



(56)

**References Cited**

U.S. PATENT DOCUMENTS

|           |      |         |              |       |         |              |      |         |                  |       |         |
|-----------|------|---------|--------------|-------|---------|--------------|------|---------|------------------|-------|---------|
| D635,960  | S *  | 4/2011  | Gondo et al. | ..... | D14/223 | D696,275     | S *  | 12/2013 | Tagliabue et al. | ..... | D14/486 |
| 8,090,135 | B2 * | 1/2012  | Lin          | ..... | 381/381 | D699,213     | S *  | 2/2014  | Burgett et al.   | ..... | D14/205 |
| 8,265,328 | B2 * | 9/2012  | Milde et al. | ..... | 381/381 | D710,333     | S *  | 8/2014  | Davies et al.    | ..... | D14/223 |
| D686,196  | S *  | 7/2013  | Lee et al.   | ..... | D14/223 | D712,382     | S *  | 9/2014  | Brunner et al.   | ..... | D14/223 |
| D695,275  | S *  | 12/2013 | Chee         | ..... | D14/223 | D713,385     | S *  | 9/2014  | Burgett et al.   | ..... | D14/223 |
|           |      |         |              |       |         | D713,822     | S *  | 9/2014  | Paradise et al.  | ..... | D14/223 |
|           |      |         |              |       |         | 2013/0216087 | A1 * | 8/2013  | MacDonald        | ..... | 381/381 |

\* cited by examiner

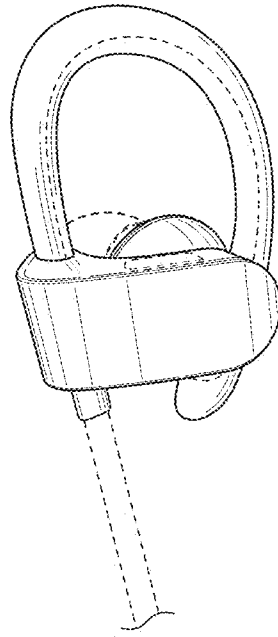


FIG. 1

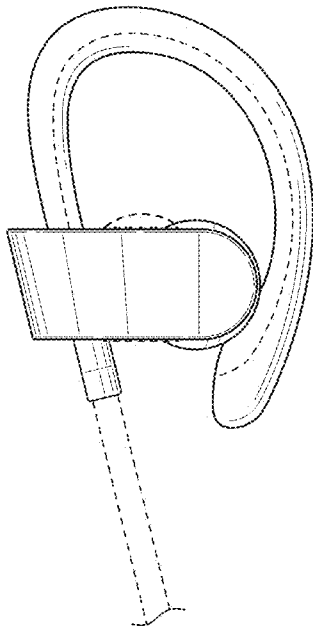


FIG. 2

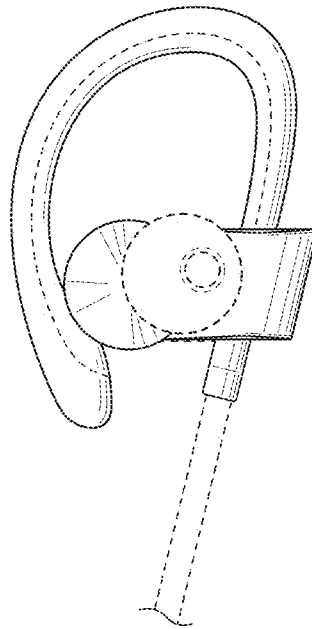


FIG. 3

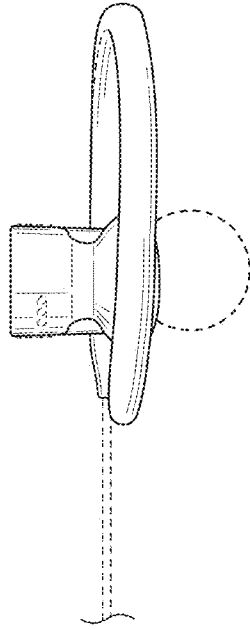


FIG. 4

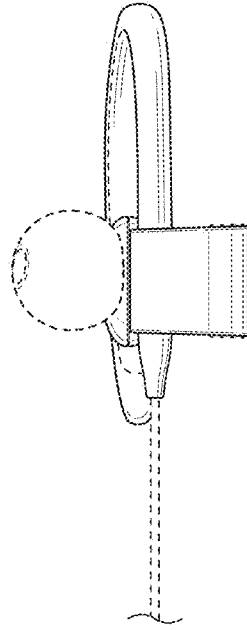


FIG. 5

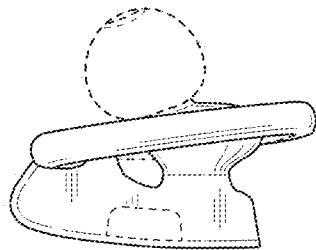


FIG. 6

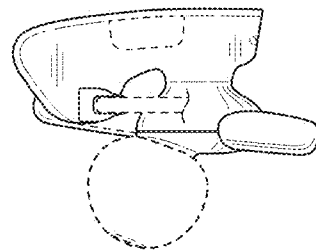


FIG. 7

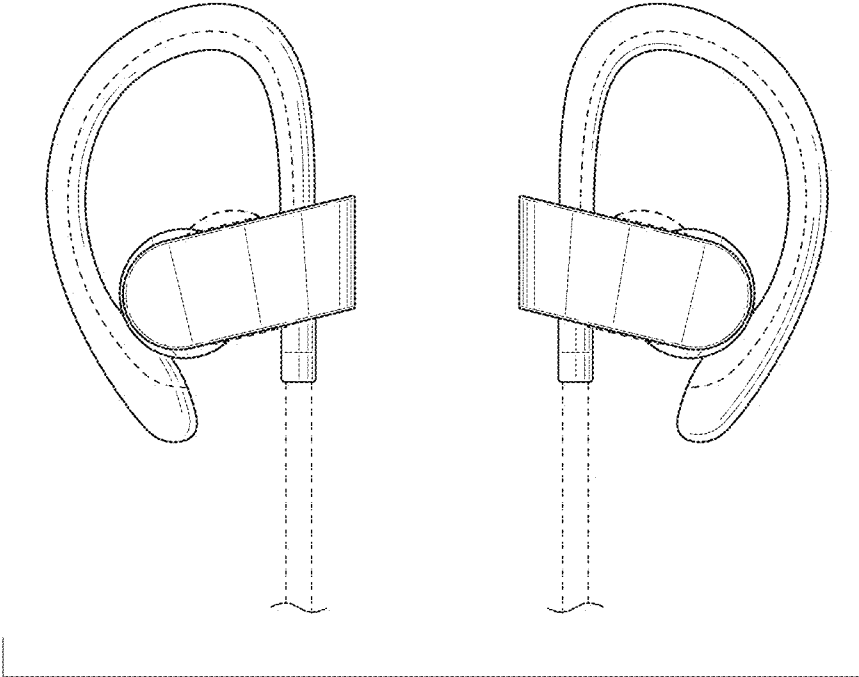


FIG. 8