



(43) International Publication Date  
12 August 2010 (12.08.2010)

- (51) International Patent Classification:  
*E04C 2/292* (2006.01) *E04F 13/08* (2006.01)
- (21) International Application Number:  
PCT/SI2010/000005
- (22) International Filing Date:  
4 February 2010 (04.02.2010)
- (25) Filing Language: Slovenian
- (26) Publication Language: English
- (30) Priority Data:  
P-20090028 4 February 2009 (04.02.2009) SI
- (71) Applicant (for all designated States except US): **TRIMO D.D.** [SI/SI]; Prijateljjeva 12, 8210 Trebnje (SI).
- (72) Inventors; and  
(75) Inventors/Applicants (for US only): **TOMAŽ Popit** [SI/SI]; Bobek 2, 1270 Litija (SI). **DRČAR, Janez** [SI/SI]; Brezovica 8, 8233 Mirna (SI). **BOŠTIAN, Zupanc** [SI/SI]; Hom 6, 8232 Šentrupert (SI).
- (74) Agent: **MARN, Jure**; Ljubljanska ulica 9, 2000 Maribor (SI).
- (81) Designated States (unless otherwise indicated, for every kind of national protection available): AE, AG, AL, AM, AO, AT, AU, AZ, BA, BB, BG, BH, BR, BW, BY, BZ,

CA, CH, CL, CN, CO, CR, CU, CZ, DE, DK, DM, DO, DZ, EC, EE, EG, ES, FI, GB, GD, GE, GH, GM, GT, HN, HR, HU, ID, IL, IN, IS, JP, KE, KG, KM, KN, KP, KR, KZ, LA, LC, LK, LR, LS, LT, LU, LY, MA, MD, ME, MG, MK, MN, MW, MX, MY, MZ, NA, NG, NI, NO, NZ, OM, PE, PG, PH, PL, PT, RO, RS, RU, SC, SD, SE, SG, SK, SL, SM, ST, SV, SY, TH, TJ, TM, TN, TR, TT, TZ, UA, UG, US, UZ, VC, VN, ZA, ZM, ZW.

(84) Designated States (unless otherwise indicated, for every kind of regional protection available): ARIPO (BW, GH, GM, KE, LS, MW, MZ, NA, SD, SL, SZ, TZ, UG, ZM, ZW), Eurasian (AM, AZ, BY, KG, KZ, MD, RU, TJ, TM), European (AT, BE, BG, CH, CY, CZ, DE, DK, EE, ES, FI, FR, GB, GR, HR, HU, IE, IS, IT, LT, LU, LV, MC, MK, MT, NL, NO, PL, PT, RO, SE, SI, SK, SM, TR), OAPI (BF, BJ, CF, CG, CI, CM, GA, GN, GQ, GW, ML, MR, NE, SN, TD, TG).

Published:

- with international search report (Art. 21(3))
- before the expiration of the time limit for amending the claims and to be republished in the event of receipt of amendments (Rule 48.2(h))

(88) Date of publication of the international search report:  
1 August 2013

(54) Title: MODULAR SANDWICH PANEL AND ASSEMBLY METHOD

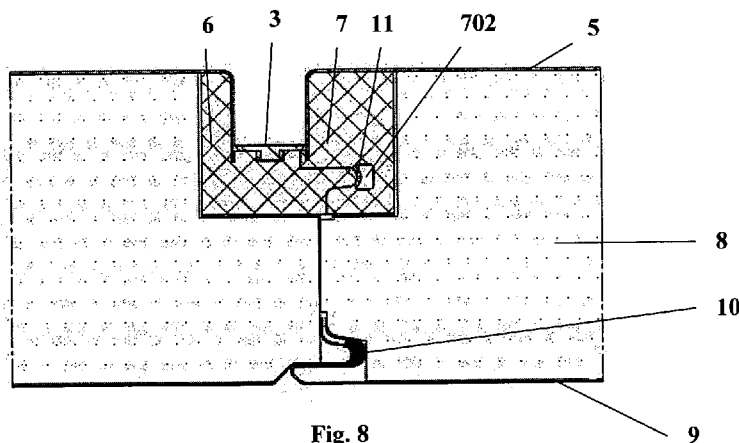


Fig. 8

(57) Abstract: Modular system of sandwich panels and its installation in multi functional building covering is self-carrying and does not require load-bearing walls or additional substructures while meeting the requirements for fire resistance, air- and water-tightness and thermal insulation at no additional risks from external impacts and effects of the human element during installation in different ways (modes) of installation. Also gasket is fitted during manufacturing stage thus resolving the technical problem of quality and sustainability of leakage due to external influences and impacts the human element during installation. Modular sandwich panels are linear modular components suitable for installation meeting the requirements of architects for perfect appearance of the modules - screens in facades. Modular sandwich panel (1) is comprised of lower plate (9), the internal joint gasket (10), an insulating core (8), the cover (5), the longitudinal connection gasket on the outer side (11), a corner-gasket "man" (6), two corner-gaskets "woman" (7) and the rest of parts integrated into the cover. In pre-assembled element of modular panel have also been fitted all gaskets of longitudinal connections and also in corner connections which are key elements for air- and water-tightness facades in different directions and were developed specifically for this purpose. Moreover, in pre-assembled modular panel has also reinforcement elements built in transverse direction that contribute to self-carrying ability of modular panels and quick and easy installation.



# INTERNATIONAL SEARCH REPORT

International application No <b>PCT/SI2010/000005</b>
--

**A. CLASSIFICATION OF SUBJECT MATTER**  
 INV. E04C2/292 E04F13/0889  
 ADD.  
 According to International Patent Classification (IPC) or to both national classification and IPC

**B. FIELDS SEARCHED**  
 Minimum documentation searched (classification system followed by classification symbols)  
 E04C E04F  
 Documentation searched other than minimum documentation to the extent that such documents are included in the fields searched

Electronic data base consulted during the international search (name of data base and, where practicable, search terms used)  
 EPO-Internal

**C. DOCUMENTS CONSIDERED TO BE RELEVANT**

Category*	Citation of document, with indication, where appropriate, of the relevant passages	Relevant to claim No.
A	EP 1 301 668 B1 (ROCKWOOL MINERALWOLLE [DE]) 12 October 2005 (2005-10-12) paragraph [0014] - paragraph [0020]; figures 1, 2 -----	1, 14
A	EP 1 988 229 A2 (THYSSENKRUPP BAUSYSTEME GMBH [DE]) 5 November 2008 (2008-11-05) paragraph [0034] - paragraph [0047]; figure 5 -----	1, 14

Further documents are listed in the continuation of Box C.       See patent family annex.

\* Special categories of cited documents :

<p>"A" document defining the general state of the art which is not considered to be of particular relevance</p> <p>"E" earlier application or patent but published on or after the international filing date</p> <p>"L" document which may throw doubts on priority claim(s) or which is cited to establish the publication date of another citation or other special reason (as specified)</p> <p>"O" document referring to an oral disclosure, use, exhibition or other means</p> <p>"P" document published prior to the international filing date but later than the priority date claimed</p>	<p>"T" later document published after the international filing date or priority date and not in conflict with the application but cited to understand the principle or theory underlying the invention</p> <p>"X" document of particular relevance; the claimed invention cannot be considered novel or cannot be considered to involve an inventive step when the document is taken alone</p> <p>"Y" document of particular relevance; the claimed invention cannot be considered to involve an inventive step when the document is combined with one or more other such documents, such combination being obvious to a person skilled in the art</p> <p>"&amp;" document member of the same patent family</p>
---	---

Date of the actual completion of the international search <b>3 June 2013</b>	Date of mailing of the international search report <b>11/06/2013</b>
---	---

Name and mailing address of the ISA/ European Patent Office, P.B. 5818 Patentlaan 2 NL - 2280 HV Rijswijk Tel. (+31-70) 340-2040, Fax: (+31-70) 340-3016	Authorized officer  <b>Mysliwetz, Wolfgang</b>
--	--

# INTERNATIONAL SEARCH REPORT

Information on patent family members

International application No

PCT/SI2010/000005

Patent document cited in search report	Publication date	Patent family member(s)	Publication date	
EP 1301668	B1	12-10-2005	AU 7972101 A	05-02-2002
			DE 50107699 D1	17-11-2005
			EP 1301668 A1	16-04-2003
			WO 0208537 A1	31-01-2002
-----				
EP 1988229	A2	05-11-2008	DE 102007020494 A1	13-11-2008
			EP 1988229 A2	05-11-2008
-----				