

[54] WALL MOUNTED COFFEE FILTER DISPENSER

[76] Inventor: Glenn K. Jackson, P.O. Box 104, Rte. 3, Athens, Tenn. 37303

[**] Term: 14 Years

[21] Appl. No.: 505,456

[22] Filed: Jun. 17, 1983

[52] U.S. Cl. D6/559; D7/400

[58] Field of Search D6/553, 559; D34/5, D34/6, 7, 8, 11; D7/70, 400; 248/95, 97, 99, 311.2; 211/13

[56] References Cited

U.S. PATENT DOCUMENTS

- D. 274,115 6/1984 Gavin et al. D7/400
- D. 274,584 7/1984 Crouse D6/553 X

- 1,928,454 9/1933 Kielberg et al. D34/6 X
- 3,207,355 9/1965 Saphier D34/8 X
- 3,390,804 7/1968 Morgan D34/8 X
- 3,841,592 10/1974 Witten 248/97 X

Primary Examiner—Carmen H. Vales
Attorney, Agent, or Firm—Pitts and Brittan

[57] CLAIM

The ornamental design for a wall mounted coffee filter dispenser, as shown.

DESCRIPTION

FIG. 1 is a perspective view of a wall mounted coffee filter dispenser showing my new design;
 FIG. 2 is a top plan view with the lid completely open;
 FIG. 3 is a front elevational view of FIG. 1;
 FIG. 4 is a rear elevational view of FIG. 2;
 FIG. 5 is a right side elevational view of FIG. 3, the left side being identical thereto; and
 FIG. 6 is a bottom plan view.

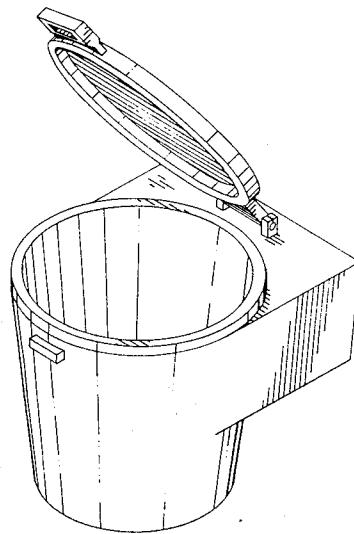


Fig. 1

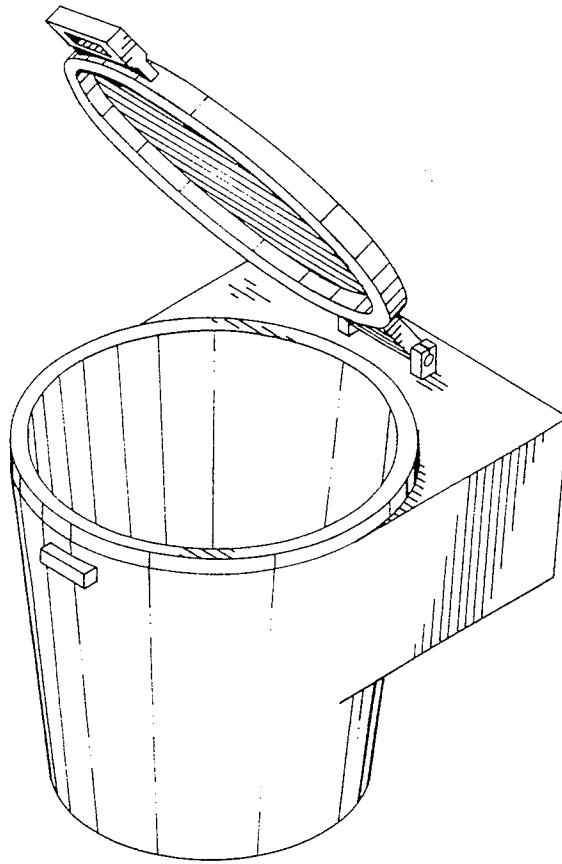


Fig. 6

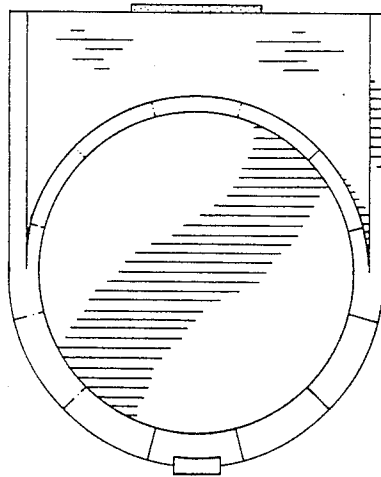


Fig. 2

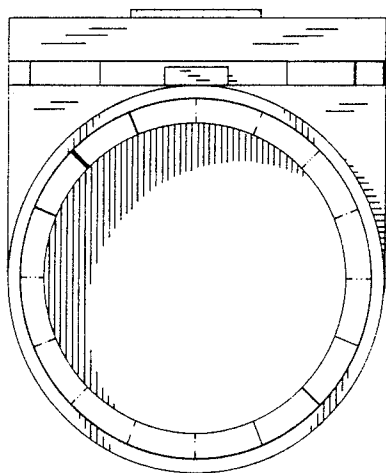


Fig. 3

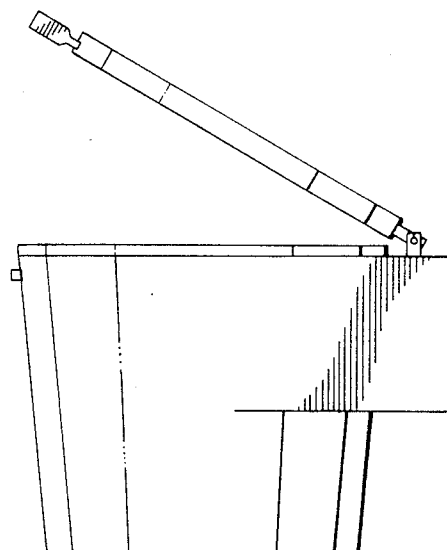
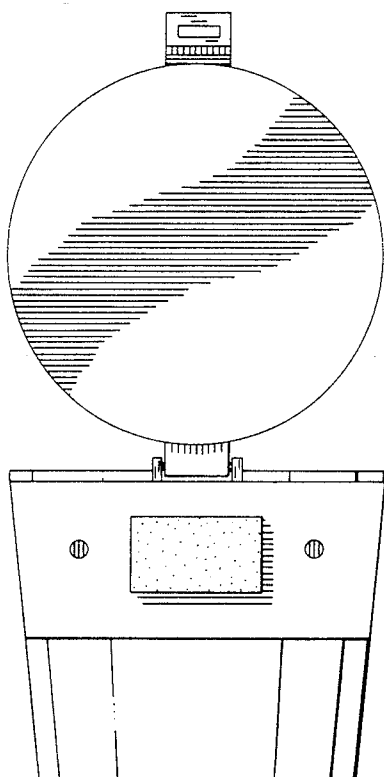
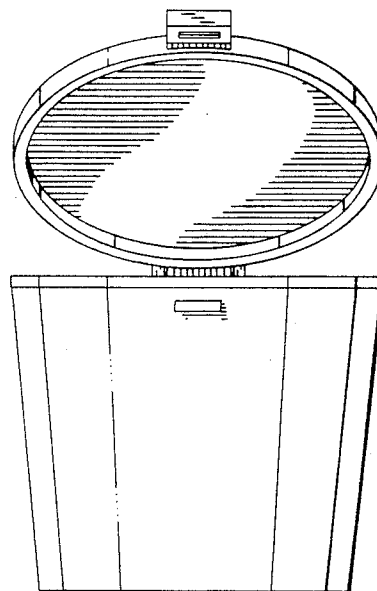


Fig. 4

Fig. 5