



US00D801950S

(12) **United States Design Patent**
Otani et al.

(10) **Patent No.:** **US D801,950 S**

(45) **Date of Patent:** **** Nov. 7, 2017**

- (54) **COMMUNICATION DEVICE**
- (71) Applicant: **Sony Mobile Communications Inc.,**
Tokyo (JP)
- (72) Inventors: **Yusuke Otani,** Tokyo (JP); **Keita Hibi,**
Tokyo (JP); **Daisuke Ishii,** Tokyo (JP); **Kazuhiro Ishida,** Tokyo (JP); **Simon Henning,** Lund (SE); **So Morimoto,**
Surrey (GB); **Hiroya Fujii,** Surrey (GB); **Pietro Russomanno,** Surrey (GB); **Jake Rich,** Surrey (GB); **Yuki Kubota,** Tokyo (JP)
- (73) Assignee: **SONY MOBILE COMMUNICATIONS INC.,** Tokyo (JP)

- 2,363,175 A * 11/1944 Grossman H04R 25/48
181/132
- 3,408,033 A * 10/1968 Kochevar A47G 1/02
248/126
- 3,440,365 A * 4/1969 Hazell H04M 1/05
379/430

(Continued)

Primary Examiner — Paula Greene
(74) *Attorney, Agent, or Firm* — Michael Best and Friedrich LLP

(**) Term: **15 Years**

(21) Appl. No.: **29/555,302**

(22) Filed: **Feb. 19, 2016**

(51) **LOC (10) Cl.** **14-01**

(52) **U.S. Cl.**
USPC **D14/223**

(58) **Field of Classification Search**
USPC ... D14/205, 223, 240, 204, 138 R, 372, 344,
D14/358, 496; 455/90.3, 575.1, 575.2;
181/129, 130, 135; 379/430, 431;
381/380, 381, 370, 371, 378, 375, 374,
381/182, 385, 328, 308
CPC H04R 25/00; H04R 1/10; H04R 1/1033;
H04R 1/1016; H04R 1/1091; H04R
1/105; H04R 1/1066
See application file for complete search history.

(56) **References Cited**

U.S. PATENT DOCUMENTS

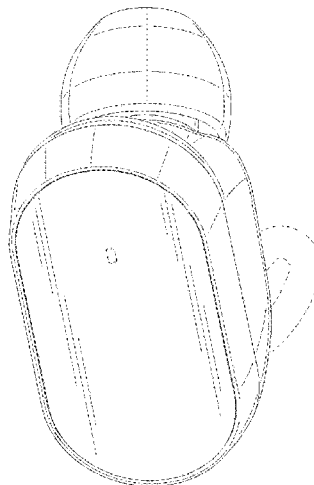
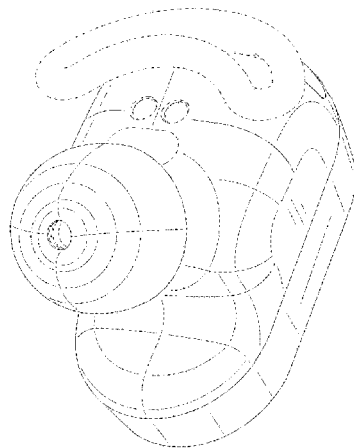
- 2,125,348 A * 8/1938 Kurman H04R 25/608
381/328
- 2,188,591 A * 1/1940 Carlson H04R 25/652
181/132

(57) **CLAIM**
The ornamental design for a communication device, as shown and described.

DESCRIPTION

FIG. 1 is a front, top, right perspective view of a first embodiment of a communication device showing our new design;
FIG. 2 is a front, bottom, right perspective view thereof;
FIG. 3 is a front elevational view thereof;
FIG. 4 is a rear elevational view thereof;
FIG. 5 is a left side elevational view thereof;
FIG. 6 is a right side elevational view thereof;
FIG. 7 is a top plan view thereof; and
FIG. 8 is a bottom plan view thereof.
FIG. 9 is a front, top, right perspective view of a second embodiment of a communication device showing our new design;
FIG. 10 is a front, bottom, right perspective view thereof;
FIG. 11 is a front elevational view thereof;
FIG. 12 is a rear elevational view thereof;
FIG. 13 is a left side elevational view thereof;
FIG. 14 is a right side elevational view thereof;
FIG. 15 is a top plan view thereof; and,
FIG. 16 is a bottom plan view thereof.
The broken lines depict environment that forms no part of the claimed design.

1 Claim, 8 Drawing Sheets



US D801,950 S

Page 2

(56)

References Cited

U.S. PATENT DOCUMENTS

D259,951	S *	7/1981	Briedert	D23/376
4,539,708	A *	9/1985	Norris	H04B 1/088 455/100
6,104,819	A *	8/2000	Nickum	H04R 1/1041 381/123
D457,513	S *	5/2002	Pirelli	D14/223
D481,709	S *	11/2003	Solderits	D14/223
D501,848	S *	2/2005	Uehara	D14/240
D511,768	S *	11/2005	Naito	D14/205
D512,049	S *	11/2005	Yang	D14/205
7,079,664	B2 *	7/2006	Nassimi	H04R 25/558 381/328
7,120,267	B2 *	10/2006	Ito	H04M 1/05 381/370
D559,837	S *	1/2008	Nakano	D14/223
7,356,362	B2 *	4/2008	Chang	H04R 1/1033 379/430
D575,277	S *	8/2008	Gaarde	D14/205
D581,396	S *	11/2008	Wikel	D14/206
D588,113	S *	3/2009	Bradford	D14/223
D597,084	S *	7/2009	Gondo	D14/223
D603,378	S *	11/2009	Paradise	D14/223
D603,380	S *	11/2009	Hutchieson	D14/223
D615,940	S *	5/2010	Kim	D14/138 AA
D626,125	S *	10/2010	Kang	D14/240
D628,548	S *	12/2010	Park	D14/138 G
D631,470	S *	1/2011	Yoneyama	D14/223
7,905,111	B2 *	3/2011	Saltz	A44C 5/0023 604/289
D640,242	S *	6/2011	Fahrendorff	D14/223
D641,343	S *	7/2011	Kim	D14/240
D643,420	S *	8/2011	Huang	D14/223
D643,428	S *	8/2011	Janky	D14/240
D644,204	S *	8/2011	Poandl	D14/215
D649,957	S *	12/2011	Fahrendorff	D14/223
8,116,501	B2 *	2/2012	Kusuda	H04M 1/05 381/374
D655,721	S *	3/2012	Andre	D14/203.3
D656,490	S *	3/2012	Birger	D14/223
D660,292	S *	5/2012	Rautiainen	D14/223
D687,010	S *	7/2013	McManigal	D14/188
D687,023	S *	7/2013	Jung	D14/242
D693,795	S *	11/2013	Paradise	D14/223
D693,796	S *	11/2013	Birger	D14/223
D707,659	S *	6/2014	Henning	D14/223
D713,421	S *	9/2014	Kaneta	D14/496
D721,737	S *	1/2015	Ahn	D14/240
D724,044	S *	3/2015	Reivo	D14/138 G
D725,082	S *	3/2015	Palmborg	D14/223
D725,088	S *	3/2015	Kwak	D14/240
D725,104	S *	3/2015	Olsson	D14/372
8,977,205	B2 *	3/2015	Tricoukes	H04R 1/1008 345/8
8,983,108	B2 *	3/2015	Ho	H04R 1/1058 181/135
D733,103	S *	6/2015	Jeong	D14/224
D741,857	S *	10/2015	Yong	D14/205
D743,861	S *	11/2015	Hodges	D12/181
D743,949	S *	11/2015	Miyake	D14/223
D764,445	S *	8/2016	Czaniecki	D14/223
D768,598	S *	10/2016	Skelton	D14/203.1
D777,139	S *	1/2017	Fletcher	D14/205
D777,710	S *	1/2017	Palmborg	D14/223
D778,256	S *	2/2017	Jung	D14/205
D779,462	S *	2/2017	Birger	D14/223
D781,272	S *	3/2017	Virhia	D14/240
D788,079	S *	5/2017	Son	D14/223
2004/0186727	A1 *	9/2004	Andrade	H04R 1/083 704/275
2007/0041702	A1 *	2/2007	Hwang	G01J 1/02 385/147
2007/0211579	A1 *	9/2007	Yoshimura	H04R 5/04 369/7
2009/0214071	A1 *	8/2009	Axelsson	H04R 1/1016 381/380
2012/0300962	A1 *	11/2012	Devoto	H04R 5/02 381/300
2014/0146979	A1 *	5/2014	Puskarich	H04R 5/033 381/74
2014/0205125	A1 *	7/2014	Triato	H04R 1/105 381/330
2015/0245120	A1 *	8/2015	Li	H04R 1/02 381/334
2017/0026738	A1 *	1/2017	Tang	H04R 1/1016

* cited by examiner

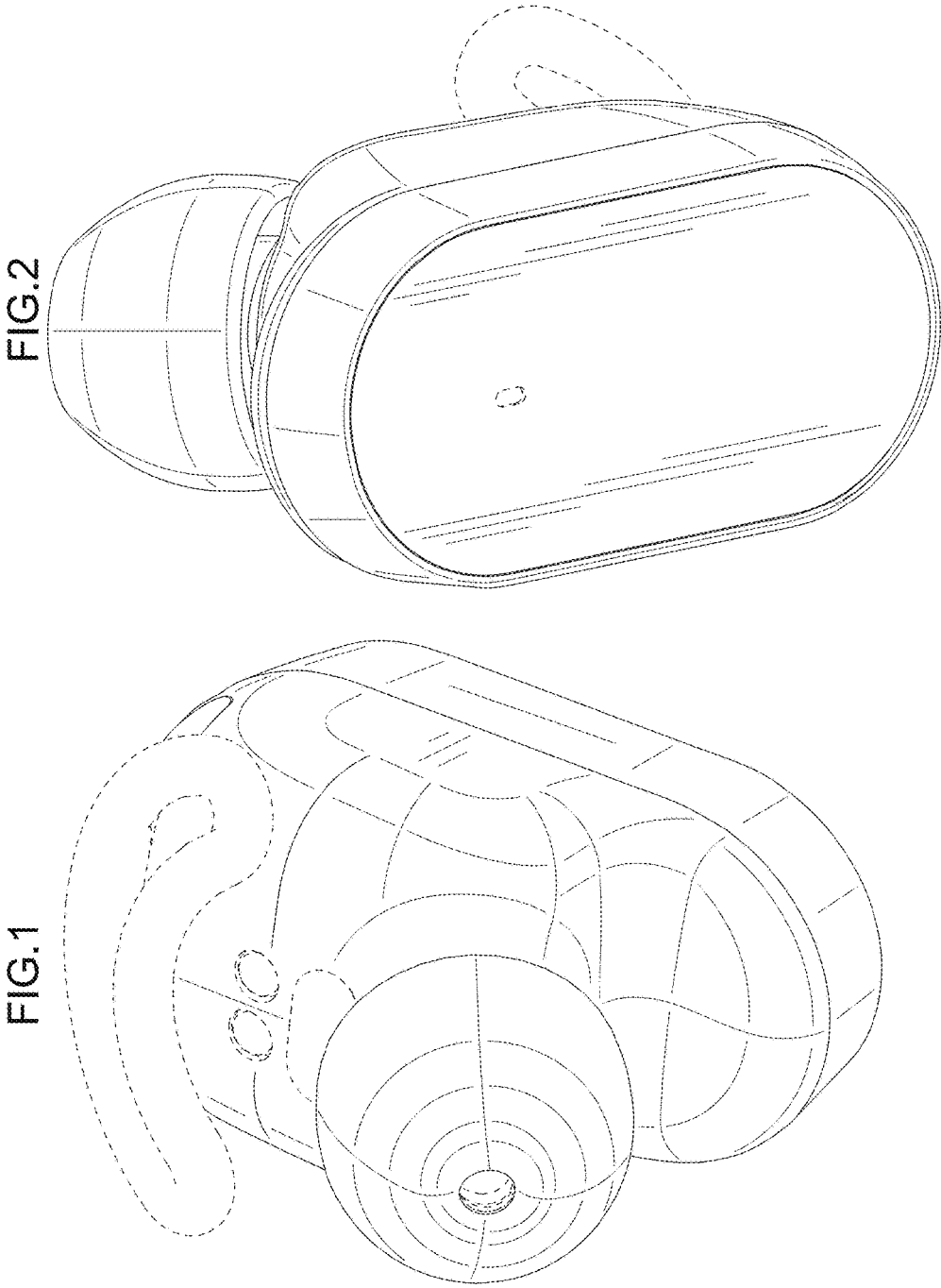


FIG.3

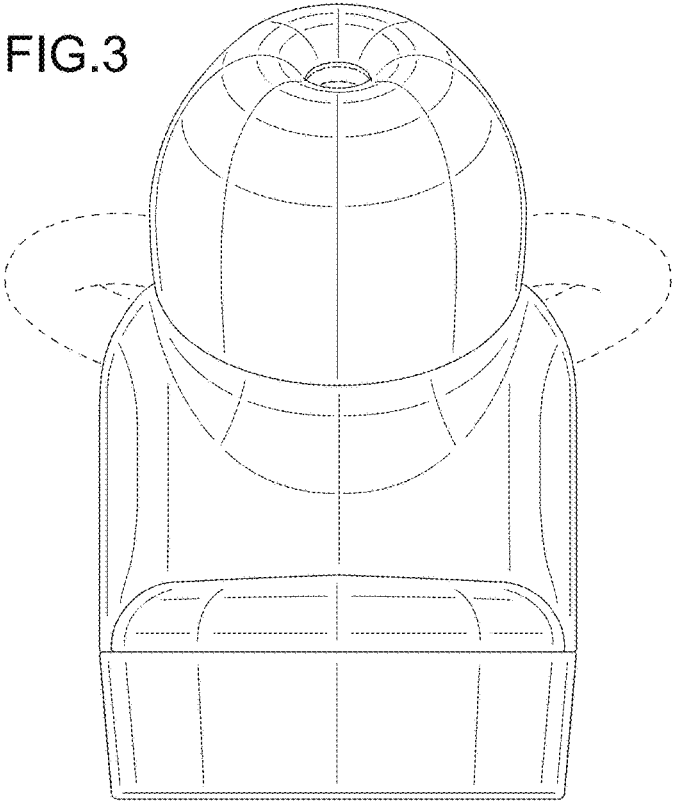


FIG.4

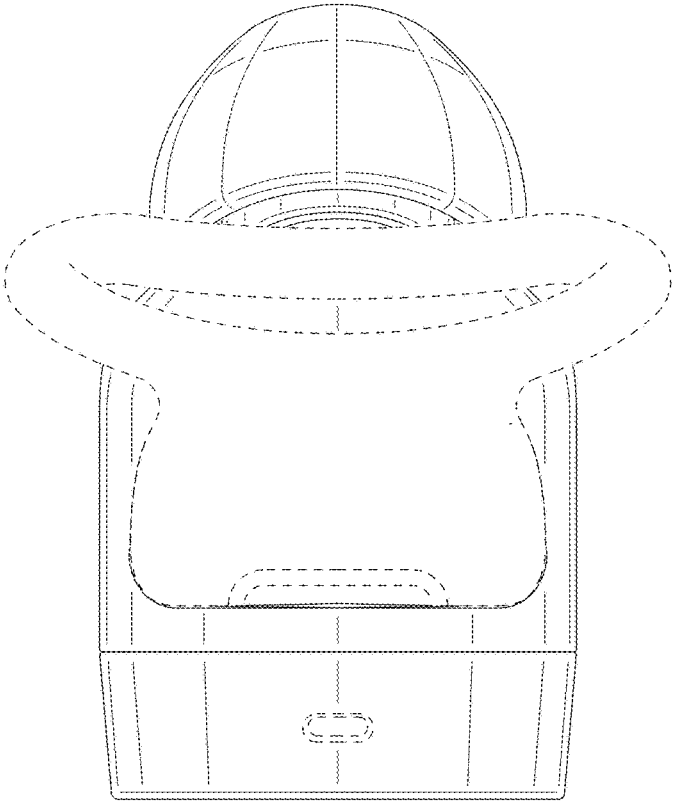


FIG.5

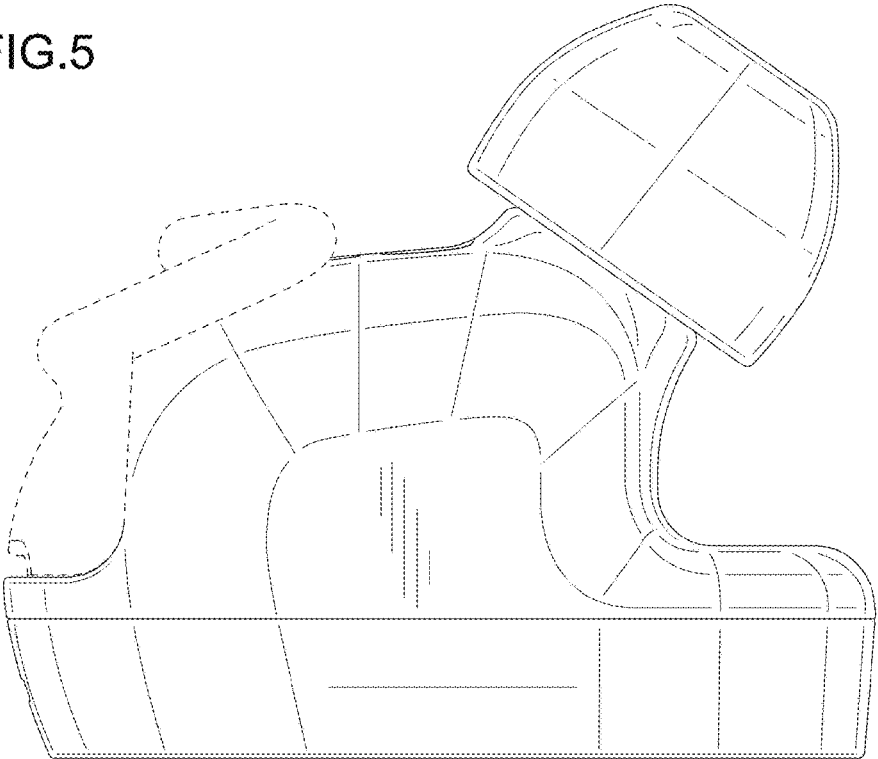


FIG.6

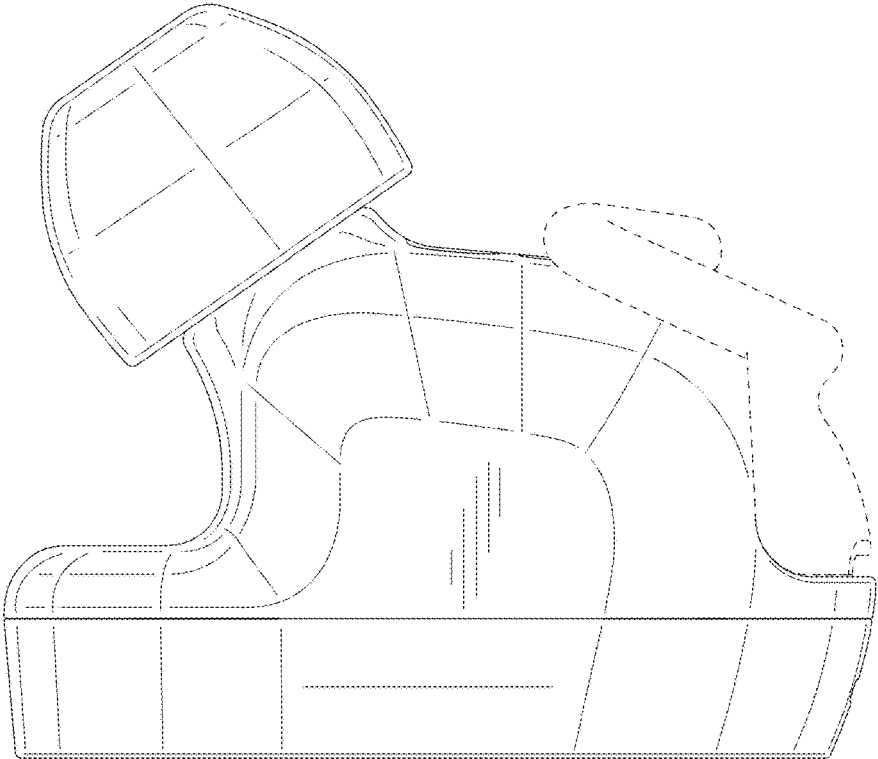


FIG.7

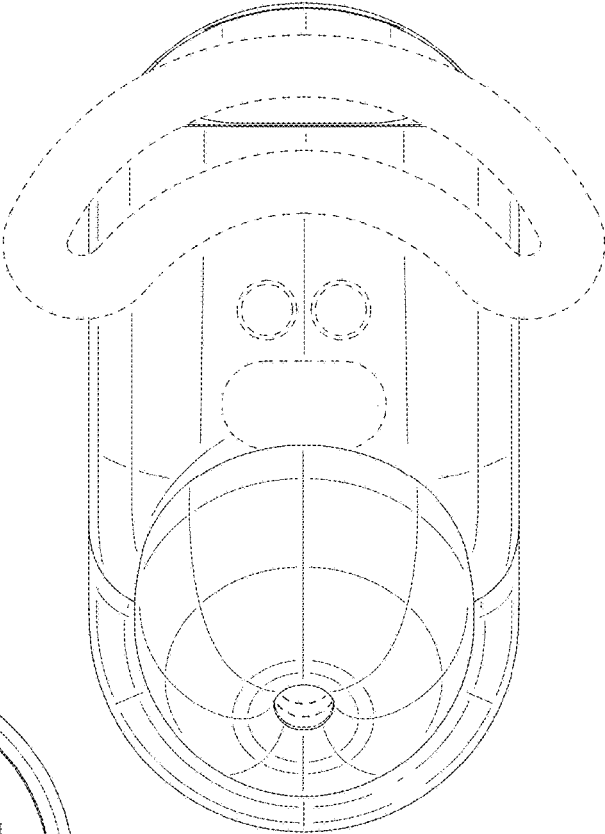


FIG.8

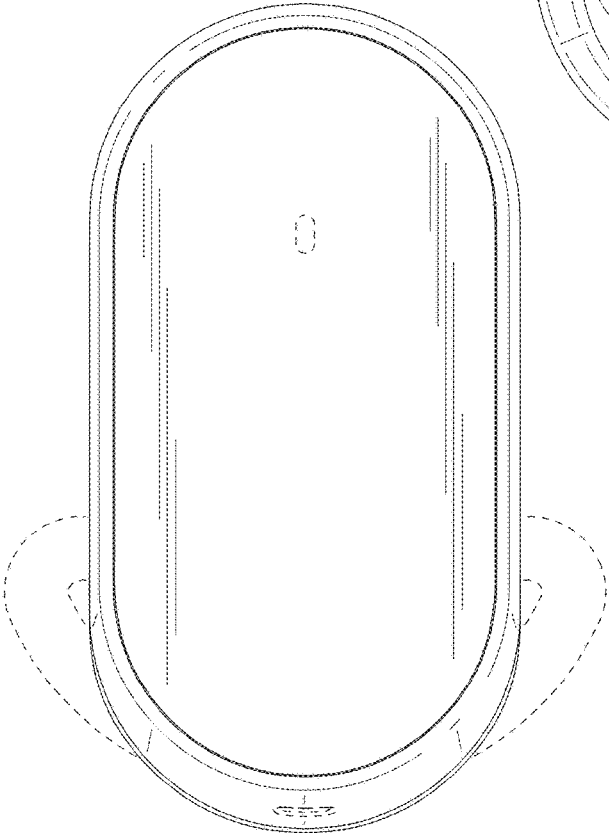


FIG.10

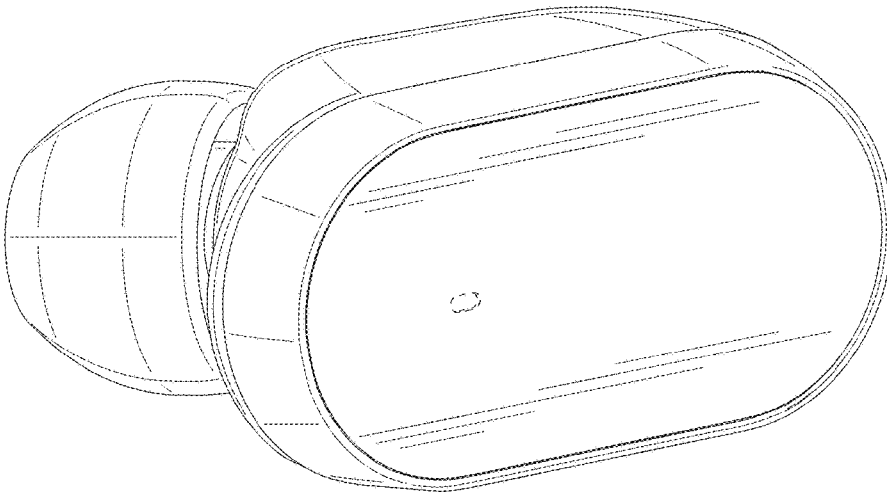


FIG.9

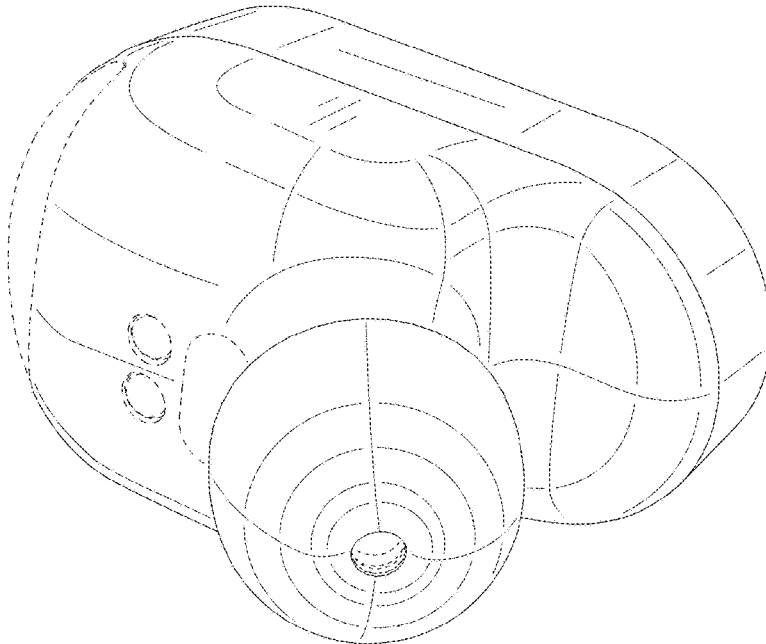


FIG.11

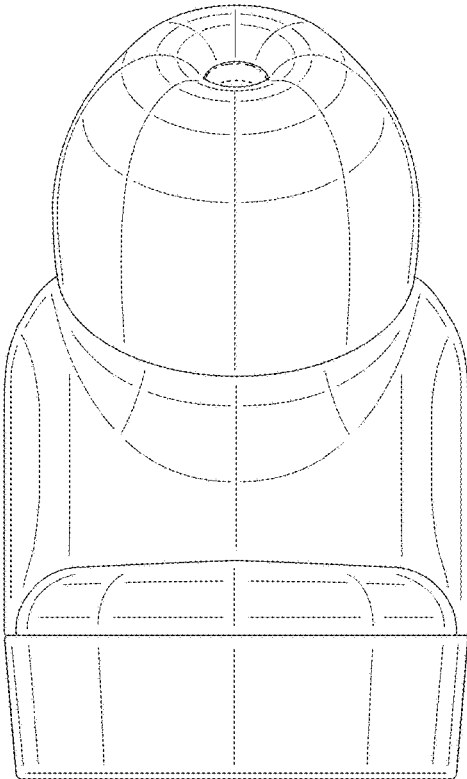


FIG.12

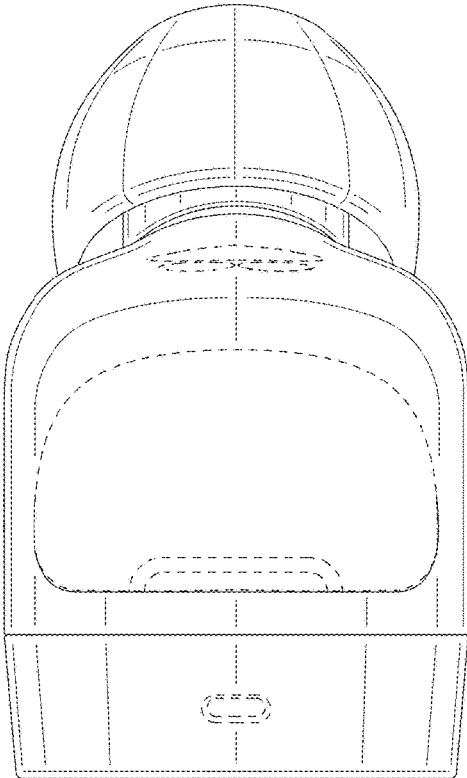


FIG.13

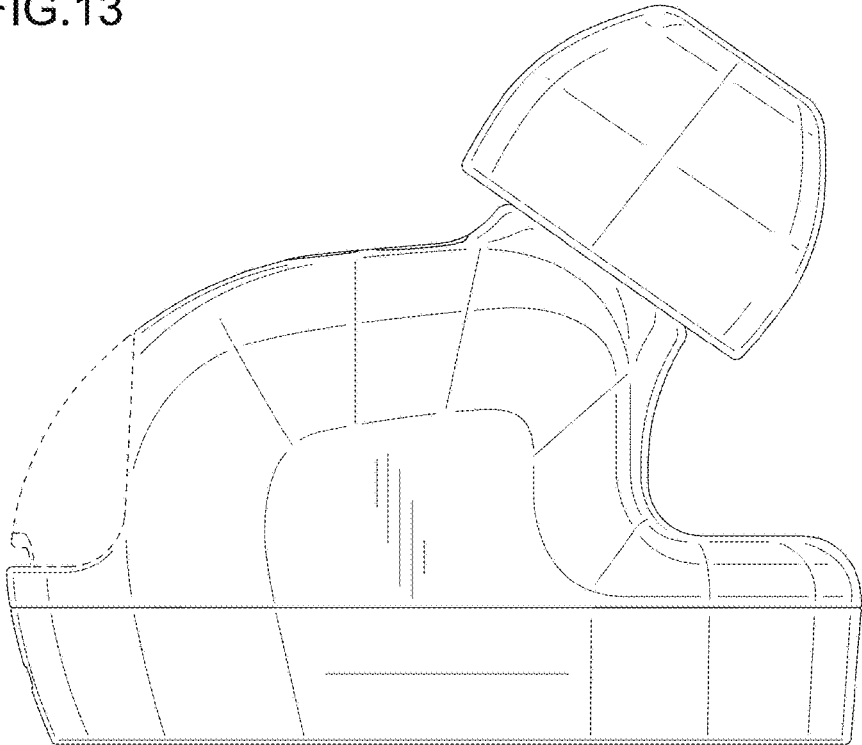


FIG.14

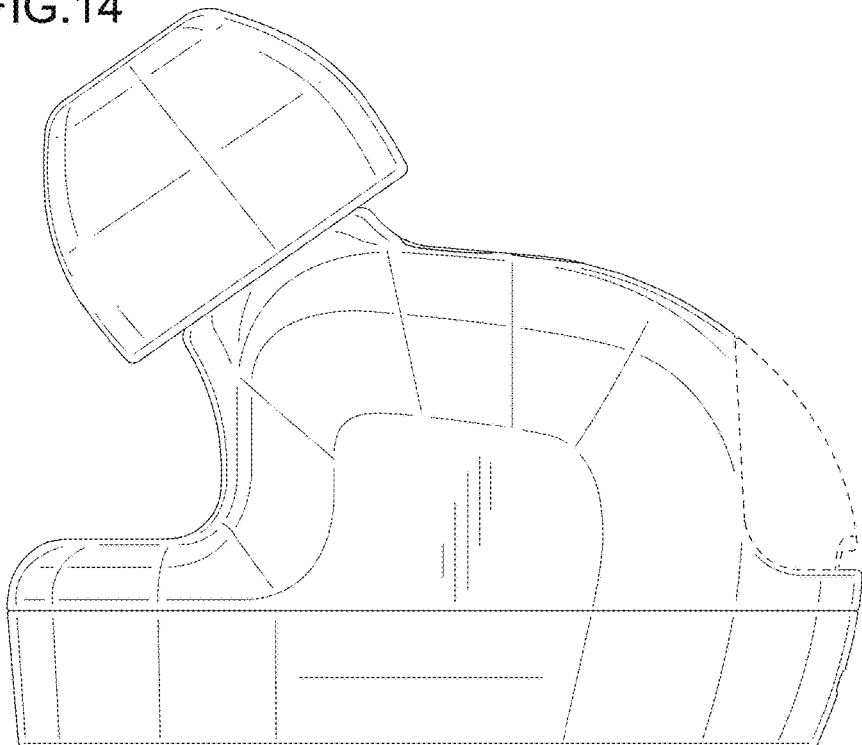


FIG.15

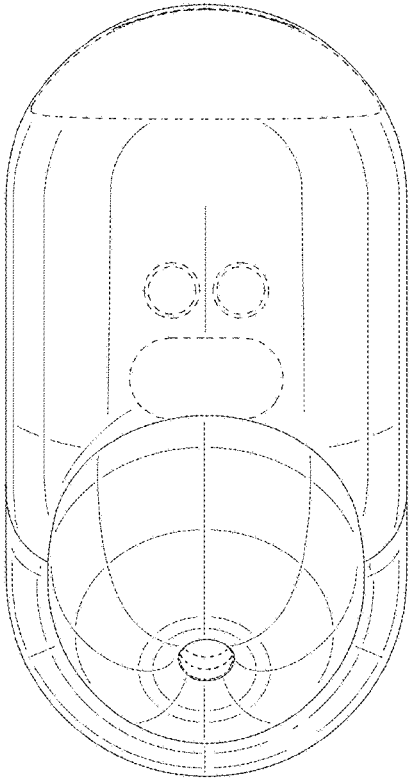


FIG.16

