



US00D726985S

(12) **United States Design Patent**
Gündogan

(10) **Patent No.:** **US D726,985 S**

(45) **Date of Patent:** **** Apr. 14, 2015**

(54) **TROLLEYS FOR HANDLING GOODS**

(71) Applicant: **Birol Gündogan**, Kirchberg (DE)

(72) Inventor: **Birol Gündogan**, Kirchberg (DE)

(73) Assignee: **Jung Hebe- und Transporttechnik GmbH**, Waiblingen (DE)

(**) Term: **14 Years**

(21) Appl. No.: **29/460,538**

(22) Filed: **Jul. 11, 2013**

(30) **Foreign Application Priority Data**

Jan. 14, 2013 (DE) 40 2013 100 047

(51) **LOC (10) CI.** **12-02**

(52) **U.S. CI.**
USPC **D34/23**

(58) **Field of Classification Search**

CPC B62B 3/02; B62B 3/027; B62B 2202/404;
B62B 5/00; B62B 7/068; B62B 1/12; B62B
2202/401; B62B 2202/56; B62B 2202/67;
B62B 2203/07; B62B 2203/74; B62B
2205/20; B62B 3/025
USPC D34/12-27; 312/249.12; 280/5.32, 651,
280/47.35, 79.11, 79.3, 47.26, 79.2, 30;
211/204, 126.15; 29/897.2; 180/15;
267/258

See application file for complete search history.

(56) **References Cited**

U.S. PATENT DOCUMENTS

3,180,653 A * 4/1965 Passman 280/30
5,653,458 A * 8/1997 Chaparian 280/30
5,957,482 A * 9/1999 Shorter 280/639
6,095,348 A * 8/2000 Karashima 211/175
6,979,005 B1 * 12/2005 McLerran 280/33.998
2003/0020261 A1 * 1/2003 Perelli et al. 280/651

2005/0151336 A1* 7/2005 Neuman 280/79.11
2007/0194546 A1* 8/2007 Cozza 280/47.131
2009/0267313 A1* 10/2009 Kalajyan 280/33.998
2010/0187782 A1* 7/2010 Facey et al. 280/30

(Continued)

OTHER PUBLICATIONS

Steerman Load Moving Systems; website; date last visited Oct. 15, 2013, 2 pages, <http://www.steerman.co.uk/>.

Primary Examiner — Cynthia Ramirez

Assistant Examiner — Gino Colan

(74) *Attorney, Agent, or Firm* — Reinhart Boerner Van Deuren P.C.

(57) **CLAIM**

I claim the ornamental design for the trolleys for handling goods, as shown and described.

DESCRIPTION

FIG. 1 is a side view of one embodiment of the trolleys for handling goods:

FIG. 2 is a back view thereof;

FIG. 3 is a front view thereof;

FIG. 4 is a side view thereof showing the side opposite that shown in FIG. 1;

FIG. 5 is a top view thereof;

FIG. 6 is a bottom view thereof;

FIG. 7 is a perspective view thereof.

FIG. 8 is a side view of another embodiment of the trolleys for handling goods:

FIG. 9 is a back view of the embodiment of FIG. 8;

FIG. 10 is a front view of the embodiment of FIG. 8;

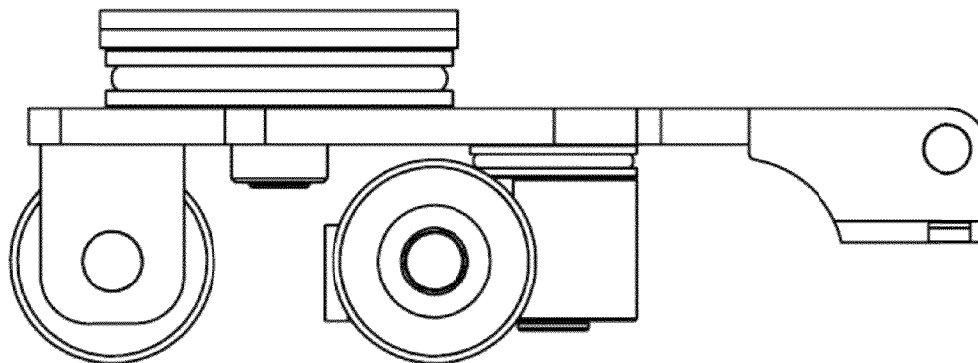
FIG. 11 is a side view of the embodiment of FIG. 8 showing the side opposite that shown in FIG. 8;

FIG. 12 is a top view of the embodiment of FIG. 8;

FIG. 13 is a bottom view of the embodiment of FIG. 8; and,

FIG. 14 is a perspective view of the embodiment of FIG. 8.

1 Claim, 14 Drawing Sheets



(56)

References Cited

U.S. PATENT DOCUMENTS

2012/0018966	A1 *	1/2012	Moore et al.	280/79.11	2013/0299252	A1 *	11/2013	Block et al.	180/15
2012/0267869	A1 *	10/2012	Hassell	280/79.11	2013/0300078	A1 *	11/2013	Gundogan	280/62
2013/0154218	A1 *	6/2013	Tiilikainen	280/79.11	2014/0217689	A1 *	8/2014	Rumao et al.	280/47.33

* cited by examiner

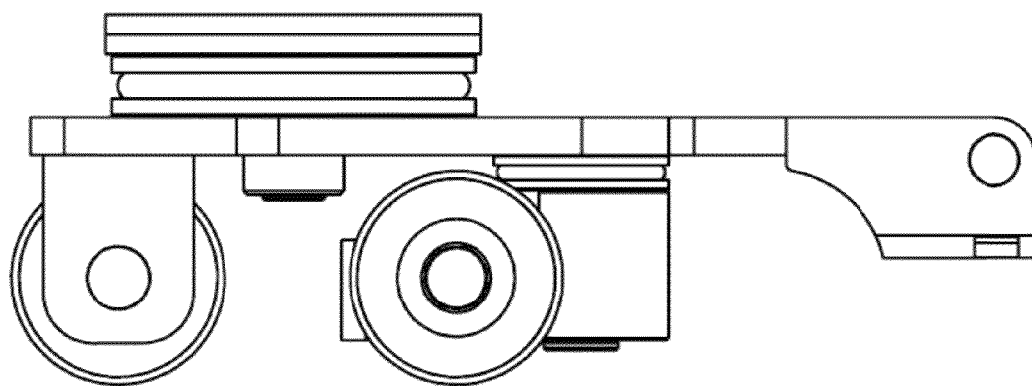


Fig. 1

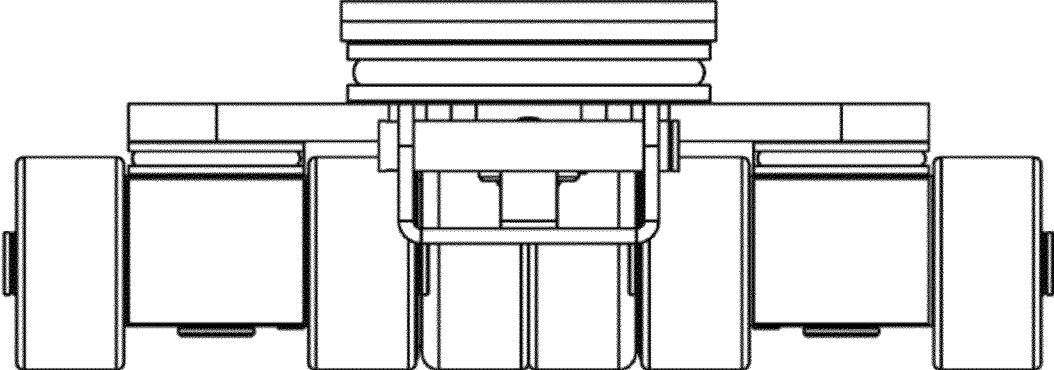


Fig. 2

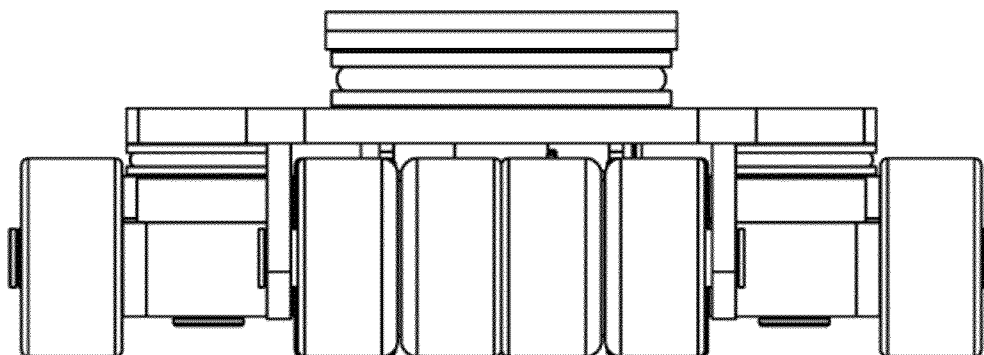


Fig. 3

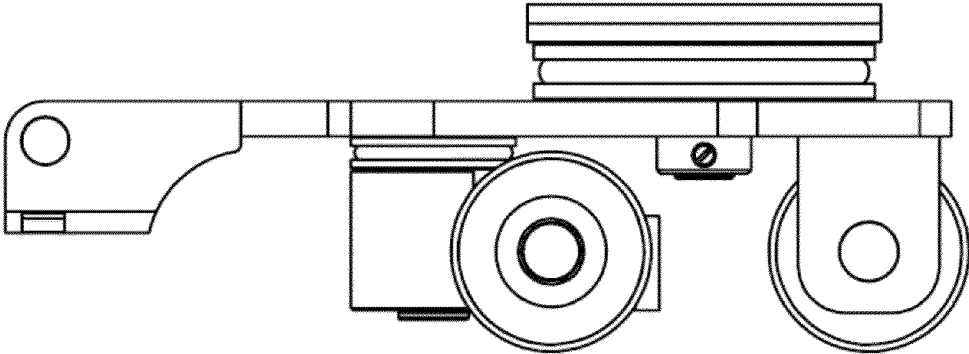


Fig. 4

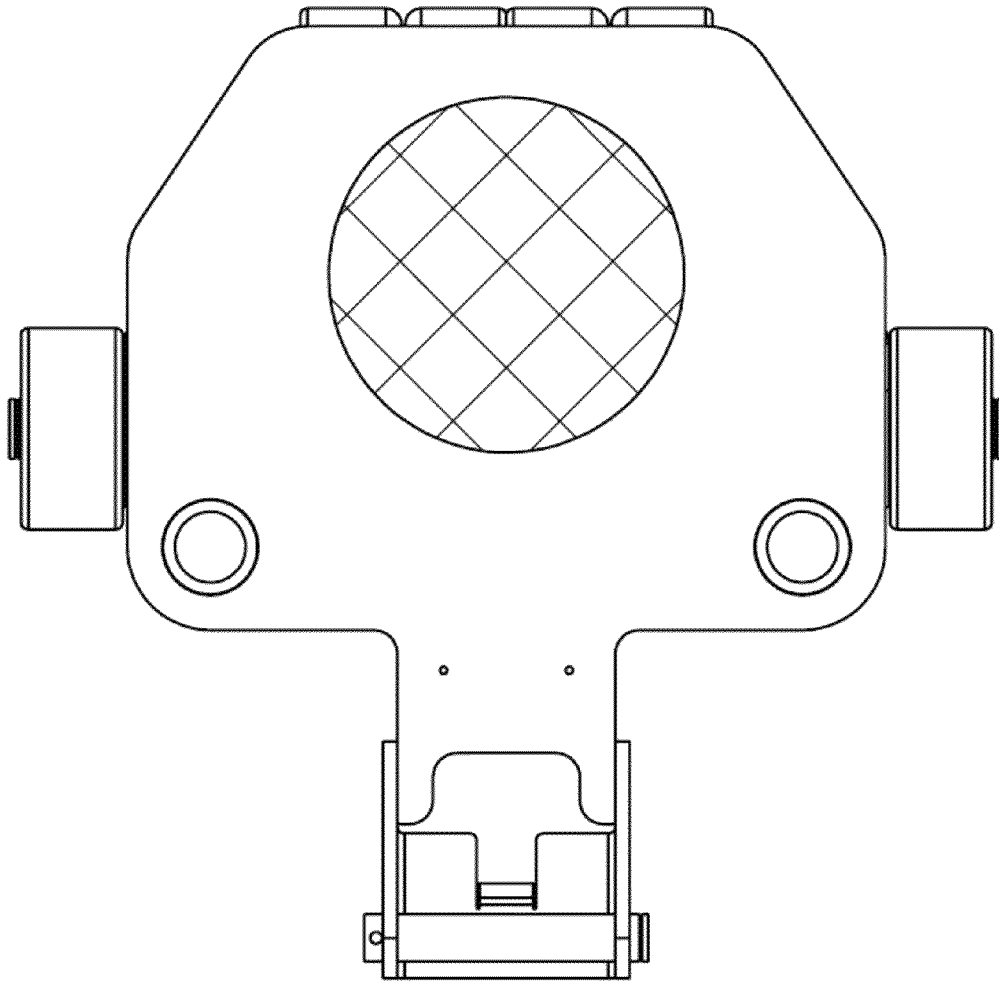


Fig. 5

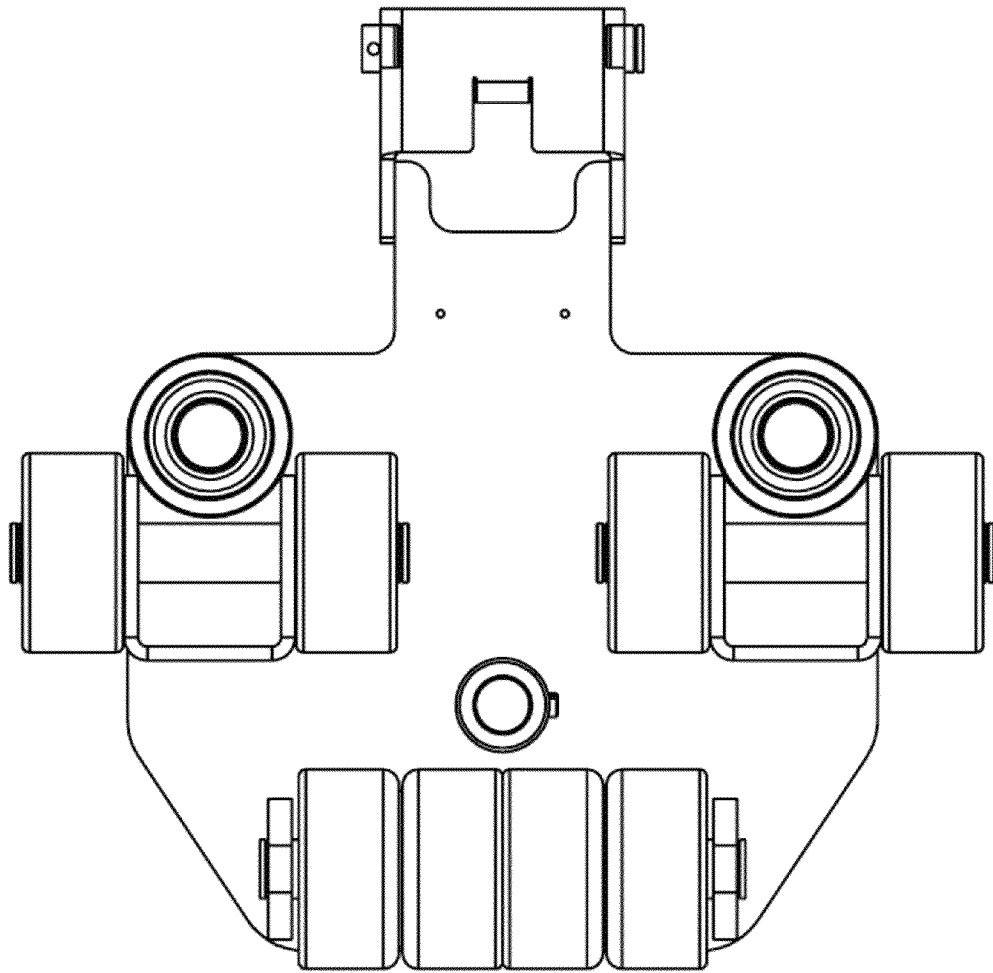


Fig. 6

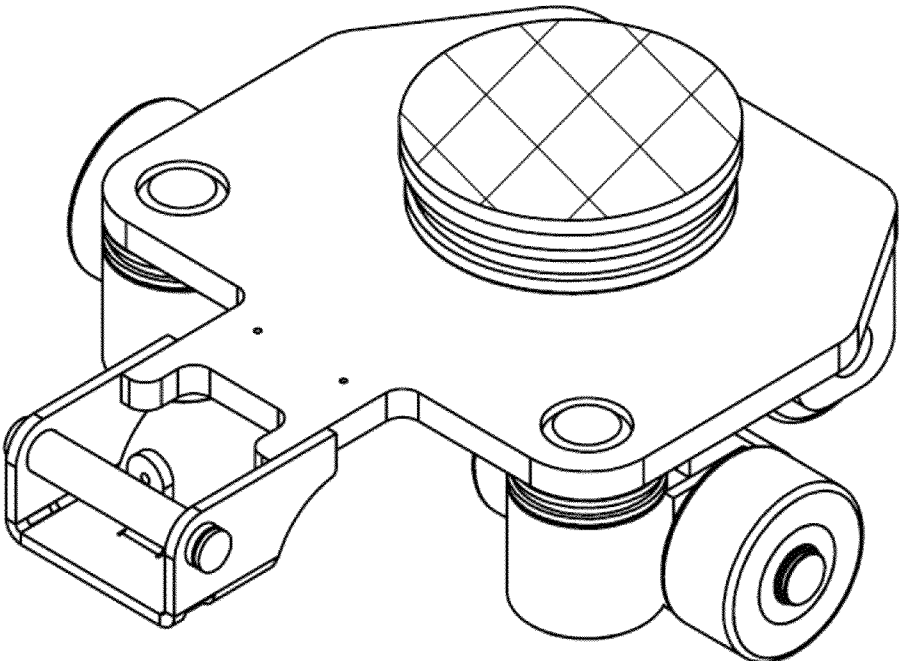


Fig. 7

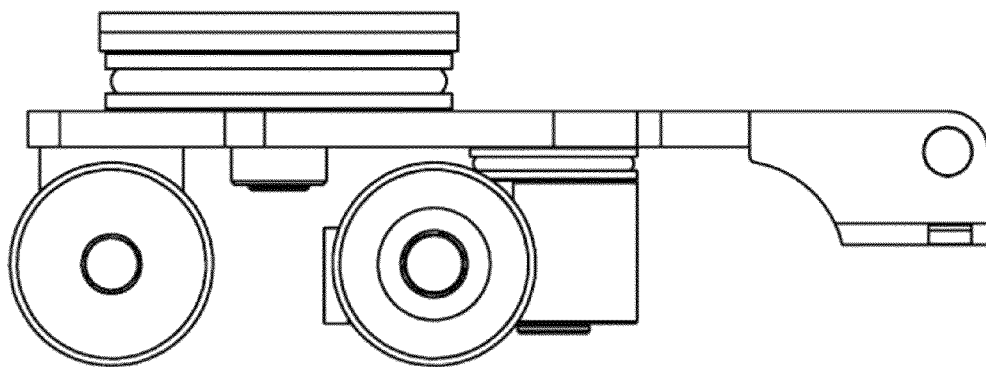


Fig. 8

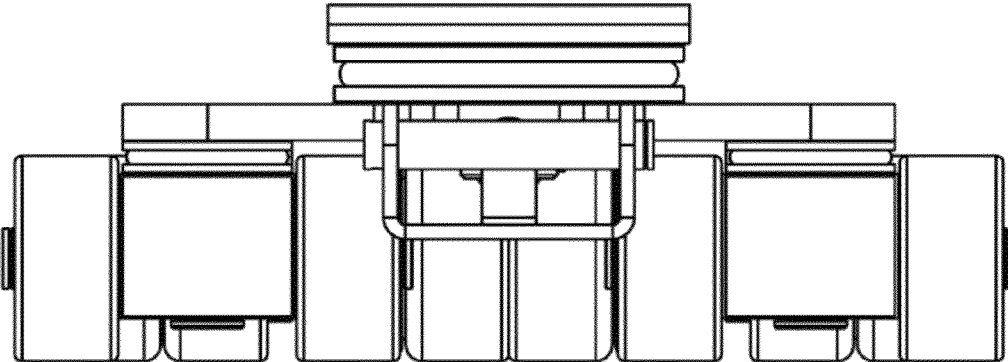


Fig. 9

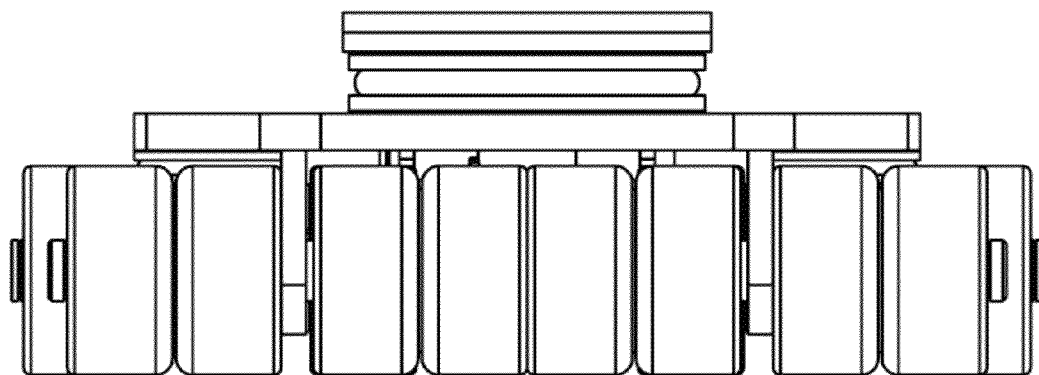


Fig. 10

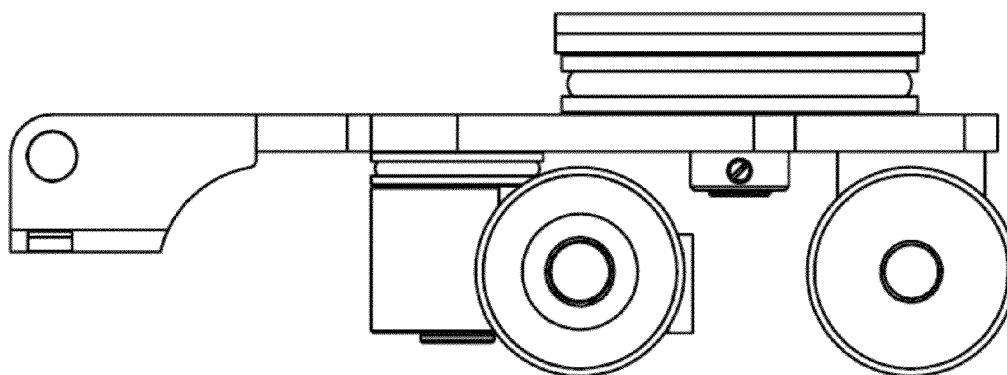


Fig. 11

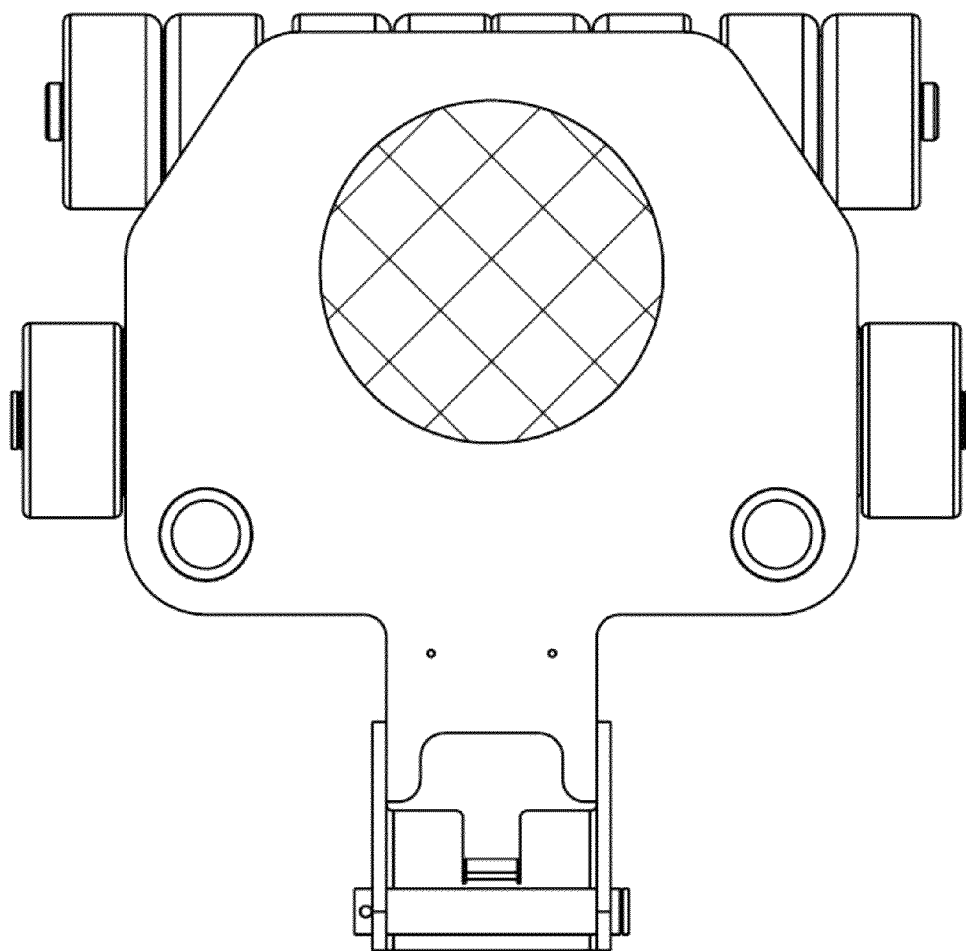


Fig. 12

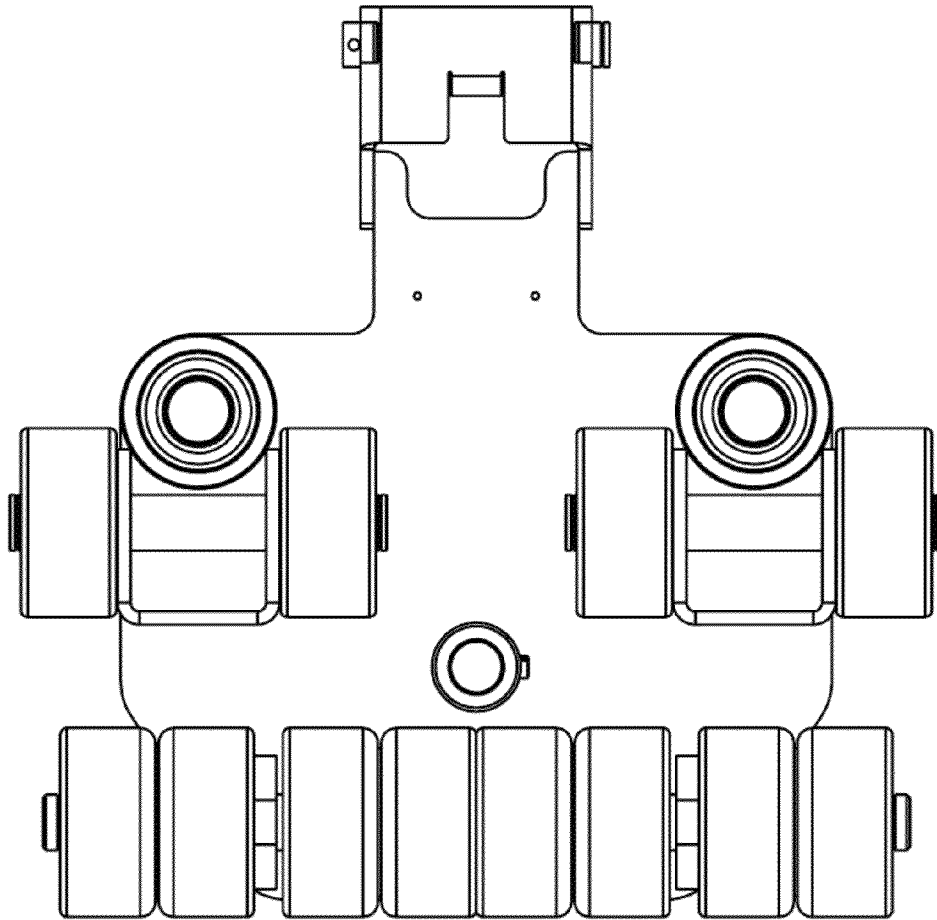


Fig. 13

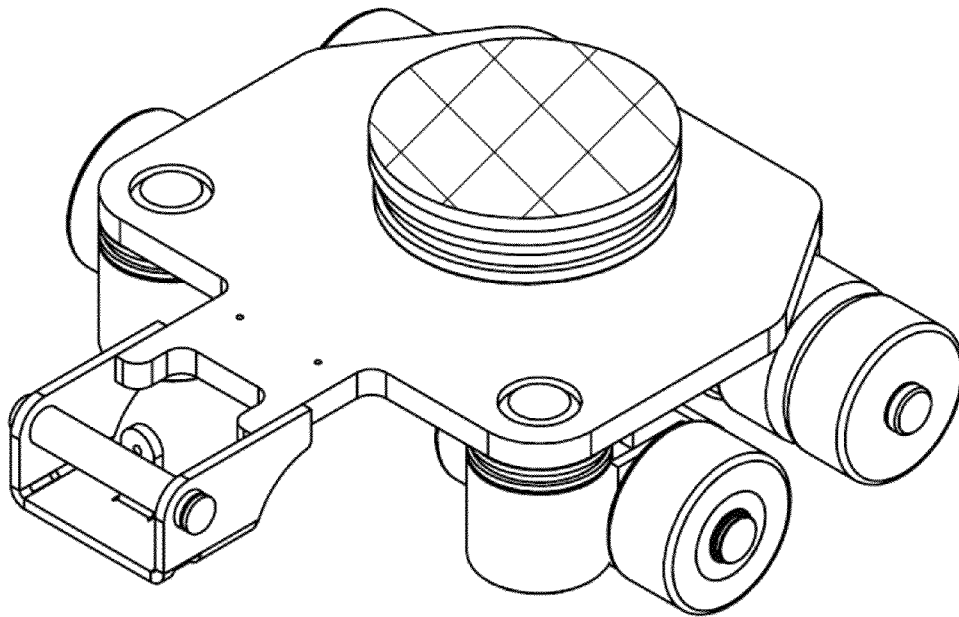


Fig. 14